



Chipsmall Limited consists of a professional team with an average of over 10 year of expertise in the distribution of electronic components. Based in Hongkong, we have already established firm and mutual-benefit business relationships with customers from,Europe,America and south Asia,supplying obsolete and hard-to-find components to meet their specific needs.

With the principle of “Quality Parts,Customers Priority,Honest Operation,and Considerate Service”,our business mainly focus on the distribution of electronic components. Line cards we deal with include Microchip,ALPS,ROHM,Xilinx,Pulse,ON,Everlight and Freescale. Main products comprise IC,Modules,Potentiometer,IC Socket,Relay,Connector.Our parts cover such applications as commercial,industrial, and automotives areas.

We are looking forward to setting up business relationship with you and hope to provide you with the best service and solution. Let us make a better world for our industry!



## Contact us

Tel: +86-755-8981 8866 Fax: +86-755-8427 6832

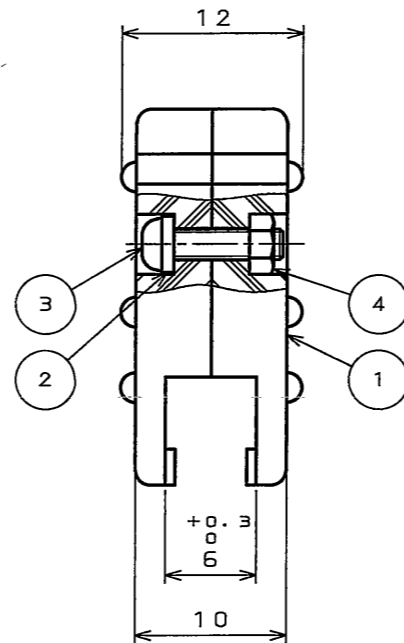
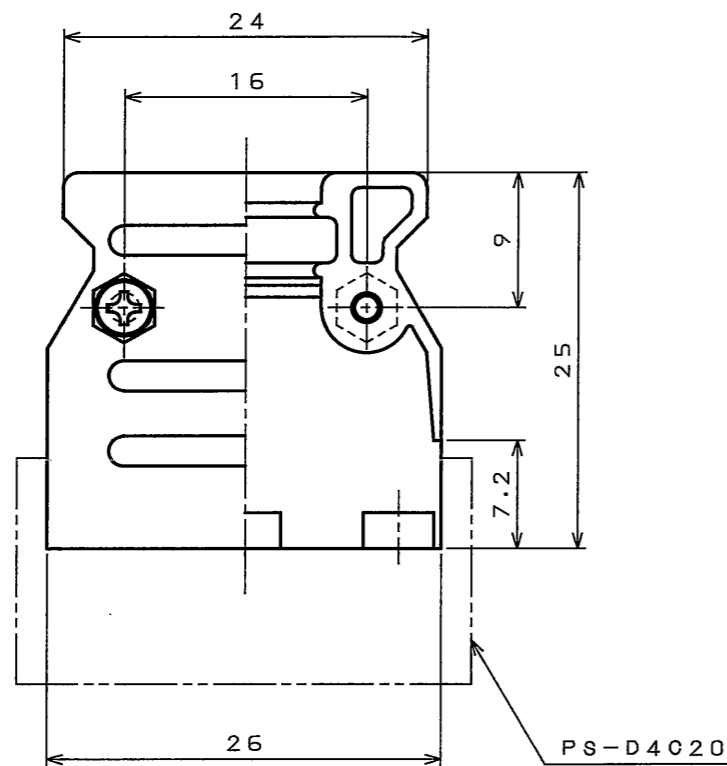
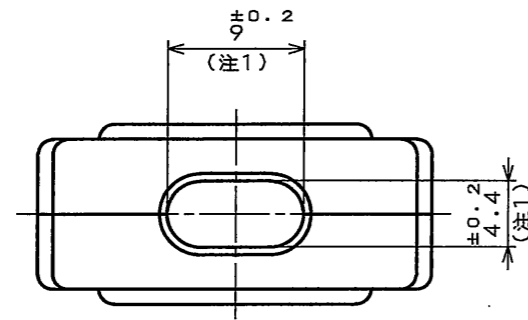
Email & Skype: info@chipsmall.com Web: www.chipsmall.com

Address: A1208, Overseas Decoration Building, #122 Zhenhua RD., Futian, Shenzhen, China



086401S  
 (図面番号) (DRAWING NO.)

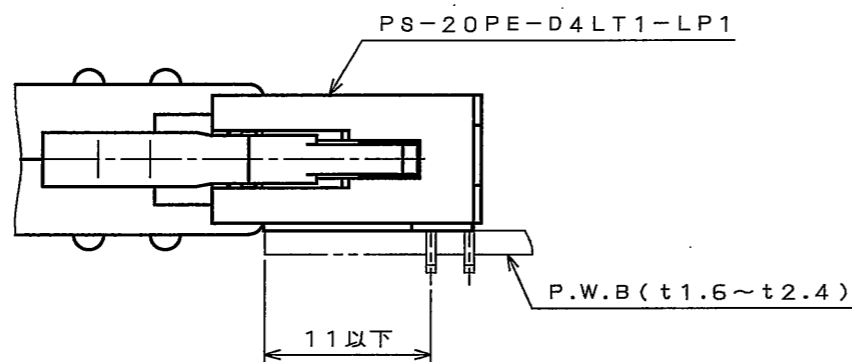
版数 REV.	年月日 DATE	DCN NO.	変更内容 DESCRIPTION	製図 DR.	担当 CHK.	査閲 APPD.	承認 APPD.



注1. ケーブルエントリ径を示す。

2. 適用電線はφ1.2～φ1.4である。

これ以下の線及び少ない線数の時はテーピング等を行って止めること。



ピンヘッド取付寸法

4	ナット	2	鋼	亜鉛めっき	
3	十字穴付なべ小ねじ	2	鋼	亜鉛めっき	M2×8
2	ワッシャ	2	鋼	亜鉛めっき	
1	フード	2	ABS樹脂		
符号 NO.	名称 DESCRIPTION	個数 QTY.	材 料 MATERIAL	仕 上 FINISH	備 考 REMARKS
仕様書 (SPECIFICATION)		第1版 (ORIGINAL DATE) 2005.9.30		尺度 (SCALE) 2:1	シリーズ (SERIES) PS
公差 (GENERAL TOLERANCE)		製図 DR.		名称 (TITLE)	
寸法 (DIMENSION)		担当 CHK.		PS-HD20-R フード	
角度 (ANGLES)		査閲 APPD.			
	±0.8	×° ±	承認 APPD.		
.X	±0.4	××° ±			
.XX	±0.1	×××° ±			
.XXX	±				
質量 (MASS)					
日本航空電子工業株式会社 JAPAN AVIATION ELECTRONICS INDUSTRY, LTD.					図面番号 (DRAWING NO.) SJ104980
					版数 (REV.) 1

DOF-0-212E(03.08)

