



Chipsmall Limited consists of a professional team with an average of over 10 year of expertise in the distribution of electronic components. Based in Hongkong, we have already established firm and mutual-benefit business relationships with customers from,Europe,America and south Asia,supplying obsolete and hard-to-find components to meet their specific needs.

With the principle of “Quality Parts,Customers Priority,Honest Operation,and Considerate Service”,our business mainly focus on the distribution of electronic components. Line cards we deal with include Microchip,ALPS,ROHM,Xilinx,Pulse,ON,Everlight and Freescale. Main products comprise IC,Modules,Potentiometer,IC Socket,Relay,Connector.Our parts cover such applications as commercial,industrial, and automotives areas.

We are looking forward to setting up business relationship with you and hope to provide you with the best service and solution. Let us make a better world for our industry!



## Contact us

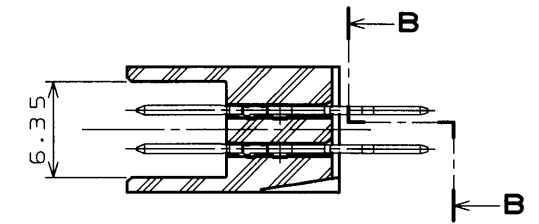
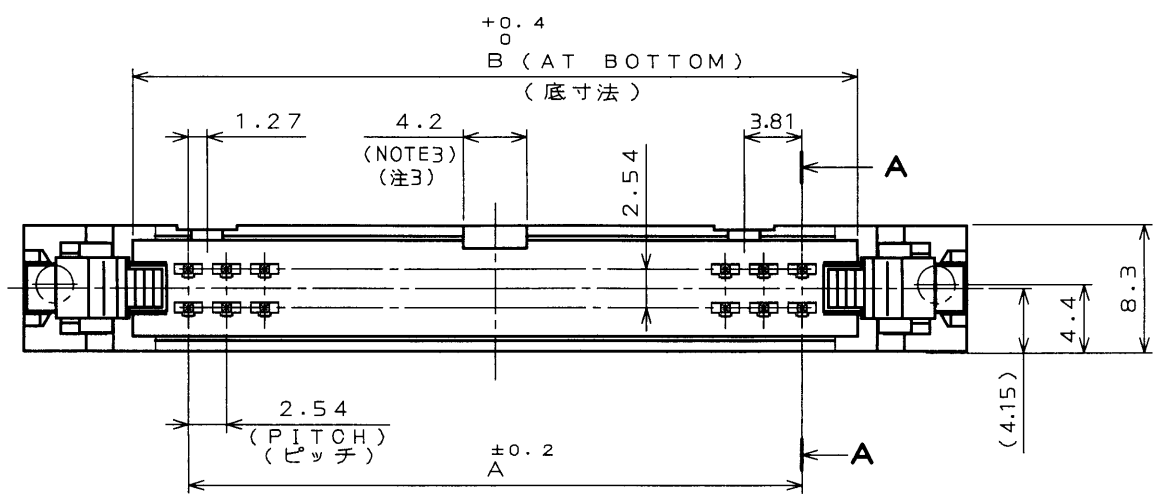
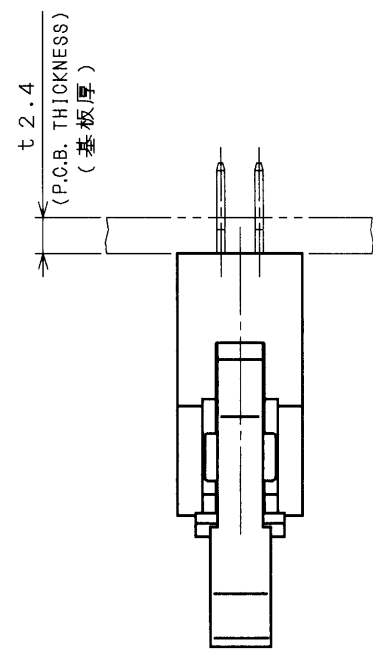
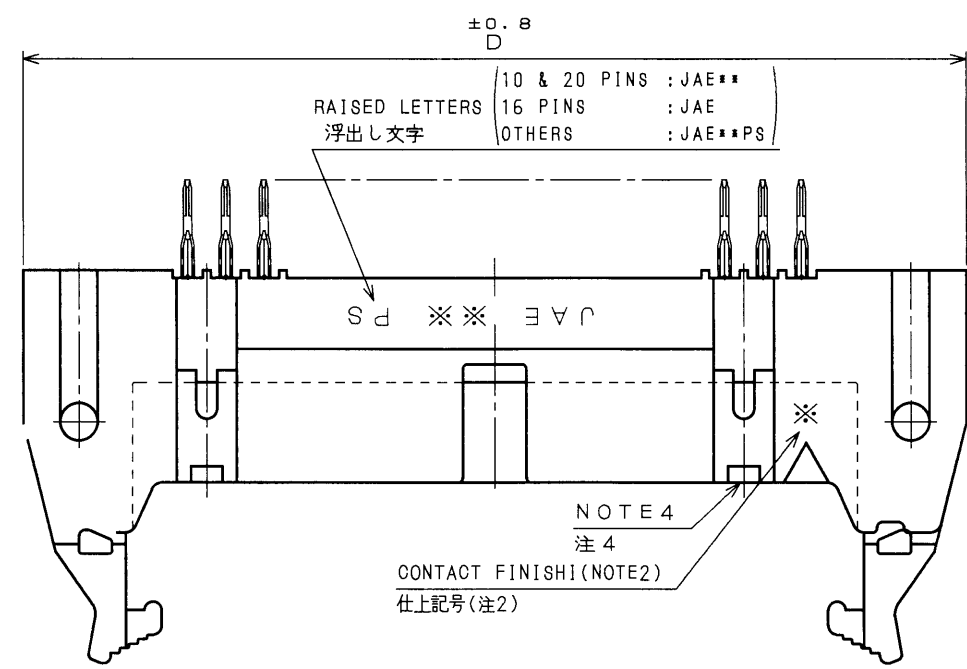
Tel: +86-755-8981 8866 Fax: +86-755-8427 6832

Email & Skype: info@chipsmall.com Web: www.chipsmall.com

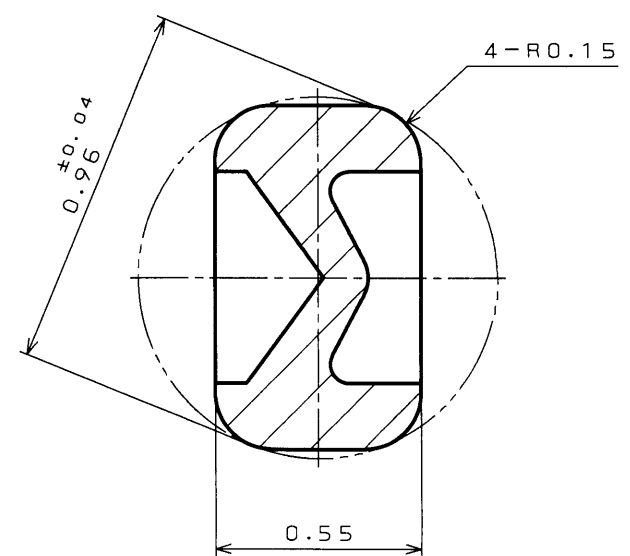
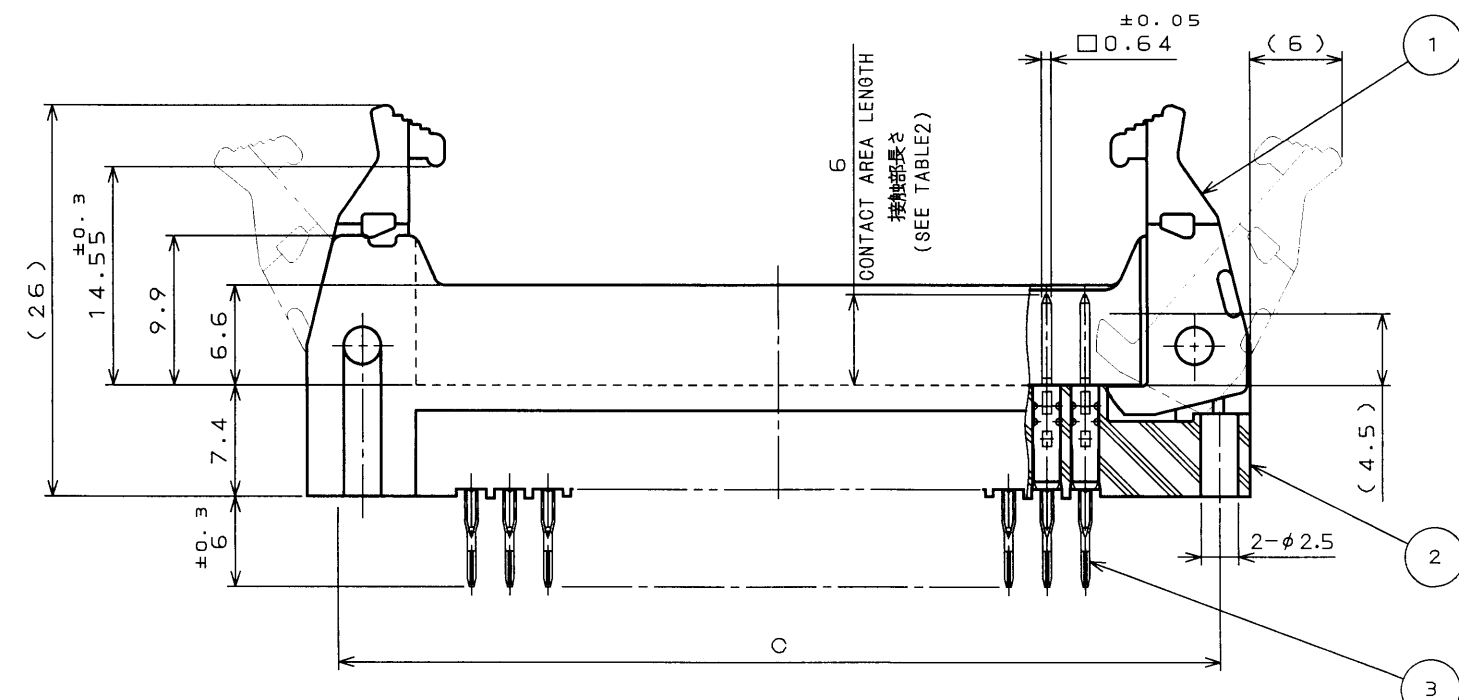
Address: A1208, Overseas Decoration Building, #122 Zhenhua RD., Futian, Shenzhen, China



版数 REV.	年月日 DATE	DCN NO.	変更内容 DESCRIPTION	製図 DR.	担当 CHK.	査閲 APPD.	承認 APPD.
6	31.May.2001	48260	REDRAWN		M.SAKAKI		



SECT. A-A (SCALE 2:1)  
(INCLUDING A LEVER)  
(レバー部を除く)



SECT. B-B  
(SCALE 50:1)

TABLE1. PART NUMBER, NO. OF CONTACTS AND DIMENSION

PART NUMBER 名称	NO. OF CONTACTS 芯数	A	B	C	D
PS-M10PE08-D4S1-M※	10	10.16	17.53	27.94	32
↑ 16	↑ 16	↑ 17.78	↑ 25.15	↑ 35.56	↑ 39.6
20	20	22.86	30.23	40.64	44.7
26	26	30.48	37.85	48.26	52.3
30	30	35.56	42.93	53.34	57.4
34	34	40.64	48.01	58.42	62.5
40	40	48.26	55.63	66.04	70.1
↓ 50	↓ 50	↓ 60.96	↓ 68.33	↓ 78.74	↓ 82.8
PS-M60PE08-D4S1-M※	60	73.66	81.03	91.44	95.5

TABLE2. CONTACT FINISH

※	1	2	3	4
CONTACT AREA 接触部	GOLD(0.1μm MIN.) OVER NICKEL(1.5μm) N11.5μm上Au0.1μm以上	GOLD(0.3μm MIN.) OVER NICKEL(1.5μm) N11.5μm上Au0.3μm以上	GOLD(0.76μm MIN.) OVER NICKEL(1.5μm) N1上Au0.76μm以上	GOLD(0.5μm MIN.) OVER NICKEL(1.5μm) N11.5μm上Au0.5μm以上
OTHER その他	GOLD FLASH OVER NICKEL(1.5μm) N11.5μm上Auフラッシュ	GOLD FLASH OVER NICKEL(1.5μm) N11.5μm上Auフラッシュ	GOLD FLASH OVER NICKEL(1.5μm) N11.5μm上Auフラッシュ	GOLD FLASH OVER NICKEL(1.5μm) N11.5μm上Auフラッシュ

TABLE3. APPLICABLE P.C.B. SPECIFICATION

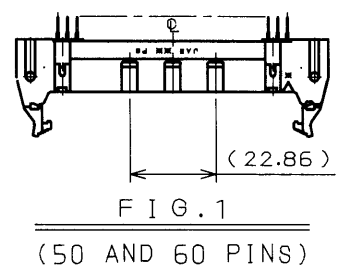
P.C.B. THICKNESS 基板厚さ	t2.4 (STANDARD) (標準)	
P.C.B. MATERIAL 基板材質	GLASS-CLOTH FILLED EPOXY MULTILAYER (STANDARD) ガラス布入りエポキシ積層板 (標準)	
THROUGH HOLE スルーホール	DIAMETER 直径	φ0.75~φ0.87 (TARGET DIMENSION: φ0.78~φ0.84) ガラス布入りエポキシ積層板 (標準)
	PLATING MATERIAL めっき材質	COPPER 銅
	PLATING THICKNESS めっき厚	40 ± 20 μm
	STARTED DRILL DIAMETER 下穴ドリル径	φ0.9

NOTE1. THE SPECIFICATIONS OF P.C.B. AND THROUGH HOLE ARE MENTIONED ON TABLE3.  
NOTE2. WHITE FINISH CODE MARKED.  
NOTE3. ONE POLARIZING GROOVE IS PROVIDED AT THE CENTER OF A HOUSING.  
ONLY ON 50 AND 60 PINS CONNECTORS HAVE 2 POLARIZING GROOVES AS WELL,  
WHICH ARE IN 22.86mm DISTANCE BALANCED TOWARD THE CENTER. (SEE FIG.1)  
NOTE4. POLARIZING KEY CAN BE EQUIPED AT TWO POSITIONS EXCEPT 10 PINS CONNECTOR.

注1. 基板及びスルーホール仕様は、TABLE3による。  
注2. 仕上記号白色捺印

FINISH CODE 仕上記号※	MARKING 表示
1	NO MARKING 無表示
2	2 (MARK IN WHITE INK) 2を白色捺印
3	3 (MARK IN WHITE INK) 3を白色捺印

注3. 誤挿入防止溝を中心に1箇所設ける。  
但し、50芯、60芯のみセンター振り分けにて、22.86mmの間隔で2箇所合計3箇所設けてある。(FIG.1参照)  
注4. 極性キータ付部を2箇所設ける。  
但し、10芯は設けてない。



DESIGNATION  
命名法

PS-M\*\*PE08-D4S1-M\*

CONTACT FINISH (SEE TABLE2)  
仕上(TABLE2参照)

PIN HEADER WITH LOCK(WITH POLARIZING KEY)  
ロック付ピンヘッダ(極性キ付)

TERMINAL LENGTH  
結線部長さ

TERMINATION STYLE S: SHORT CONTACT, R: WRAPPING  
結線部形状 S: ショートコンタクト, R: ラッピング

CONTACT ROW AND SPACING (D: DOUBLE ROWS, 4: 2.54mm SPACING)  
2列 2.54ピッチ

P.C.B. SPECIFICATION 08: φ0.8  
基板仕様 08: φ0.8

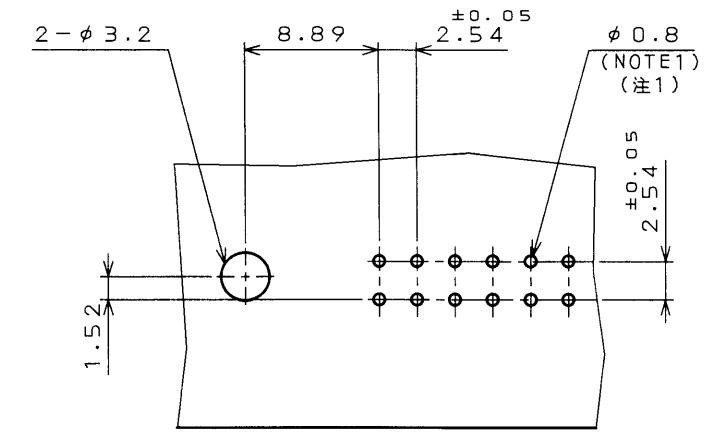
CONTACT AREA LENGTH  
接触部長さ

PIN SIDE  
ピン側

NUMBER OF CONTACTS (SEE TABLE1)  
芯数(TABLE1参照)

COMPLIANT PRESS-FIT  
コンプライアント プレスフィット

SERIES PREFIX  
シリーズ名



P.C.B. HOLE PATTERNS (REF.)  
基板取付穴寸法(参考)

3	POST	SEE TABLE1	COPPER ALLOY	SEE TABLE2	
2	INSULATOR	1	GLASS FILLED PBT		UL94V-0 COLOR: BLACK
1	LEVER	1	GLASS FILLED Ny		UL94V-0 COLOR: BLACK
符号 NO.	名称 DESCRIPTION	個数 QTY.	材料 MATERIAL	仕上 FINISH	備考 REMARKS
仕様書(SPECIFICATION) JACS-1241	第1版(ORIGINAL DATE) 28.Aug.1987				
公差(GENERAL TOLERANCE)	製図 DR.		HAYAKAWA	名称(TITLE)	Reference Only
寸法(DIMENSION)	担当 CHK.		K.HISATOMI T.MIYASHITA	PS-M**PE08	ELECTRONICS
. ±0.8	査閲 APPD.			-D4S1-M※	INDUSTRY, LTD.
.X ±0.4	承認 APPD.		Y.HAYASHIDA	PIN HEADER	図面番号(DRAWING NO.)
.XX ±0.1					SJ022464
.XXX ±					重量(WEIGHT)