



Chipsmall Limited consists of a professional team with an average of over 10 year of expertise in the distribution of electronic components. Based in Hongkong, we have already established firm and mutual-benefit business relationships with customers from,Europe,America and south Asia,supplying obsolete and hard-to-find components to meet their specific needs.

With the principle of “Quality Parts,Customers Priority,Honest Operation,and Considerate Service”,our business mainly focus on the distribution of electronic components. Line cards we deal with include Microchip,ALPS,ROHM,Xilinx,Pulse,ON,Everlight and Freescale. Main products comprise IC,Modules,Potentiometer,IC Socket,Relay,Connector.Our parts cover such applications as commercial,industrial, and automotives areas.

We are looking forward to setting up business relationship with you and hope to provide you with the best service and solution. Let us make a better world for our industry!



Contact us

Tel: +86-755-8981 8866 Fax: +86-755-8427 6832

Email & Skype: info@chipsmall.com Web: www.chipsmall.com

Address: A1208, Overseas Decoration Building, #122 Zhenhua RD., Futian, Shenzhen, China



8J018258
(DRAWING NO.) (重要図)

版数 REV.	年月日 DATE	DCN NO.	変更内容 DESCRIPTION	製図 DR.	担当 CHK.	査閲 APPD.	承認 APPD.
6	11.Nov.1999	45098	REDRAWN	J.ICHIMURA	M.Sasaki	M.Natsume	H.Yasui

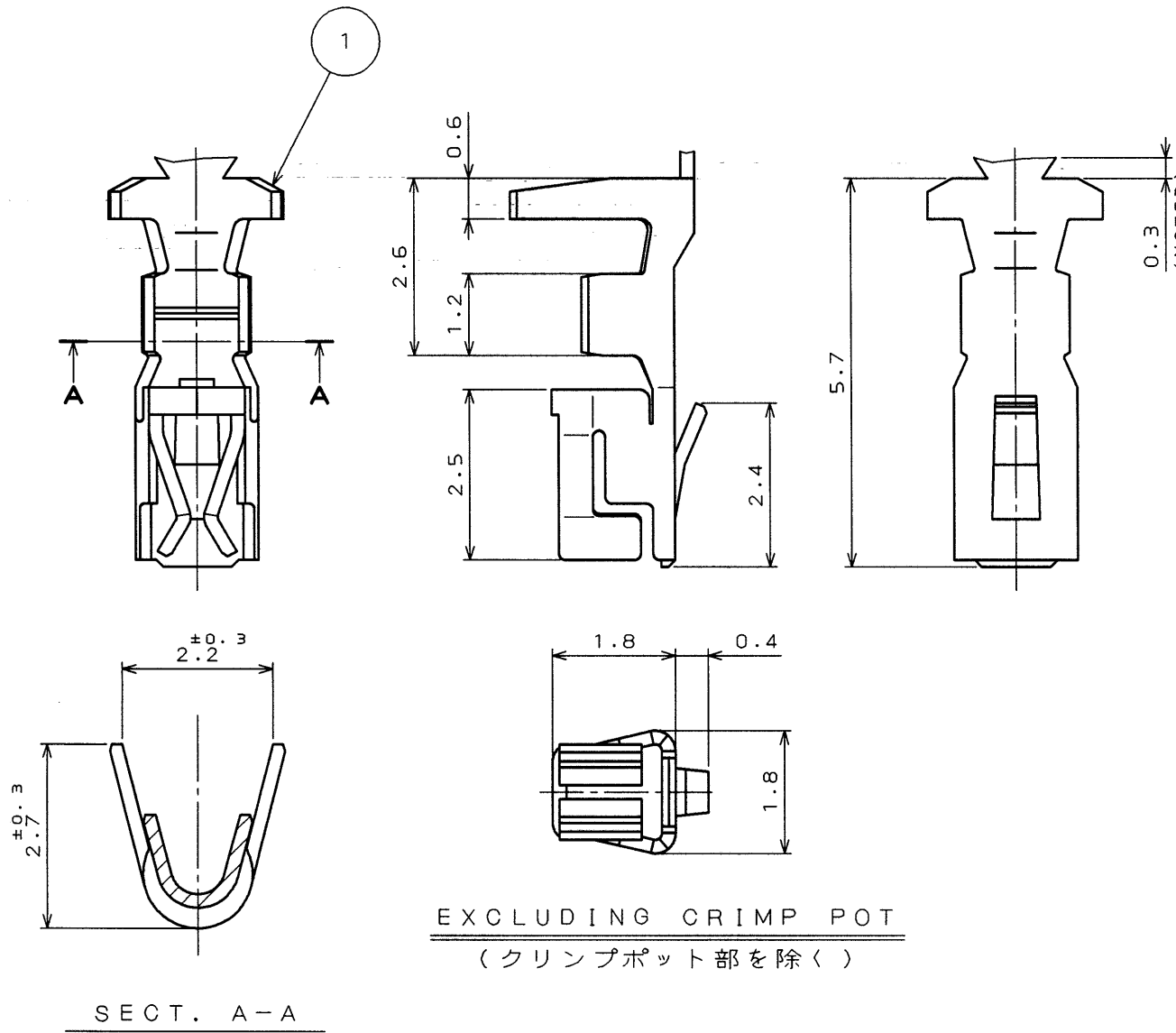
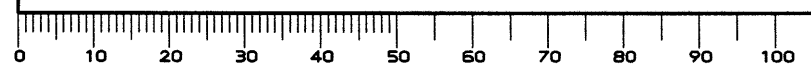


TABLE 1. CONTACT FINISH

FINISH *	1	2	3	4
CONTACT AREA 接触部	GOLD(0.1μm MIN.) OVER NICKEL Ni上Au0.1μm以上	GOLD(0.3μm MIN.) OVER NICKEL Ni上Au0.3μm以上	GOLD(0.76μm MIN.) OVER NICKEL Ni上Au0.76μm以上	GOLD(0.5μm MIN.) OVER NICKEL Ni上Au0.5μm以上
OTHERS その他	GOLD FLASH OVER NICKEL Ni上Auフラッシュ	GOLD FLASH OVER NICKEL Ni上Auフラッシュ	GOLD FLASH OVER NICKEL Ni上Auフラッシュ	GOLD FLASH OVER NICKEL Ni上Auフラッシュ

- NOTE 1. APPLICABLE PIN SIZE: $\square 0.64^{\pm 0.05}$.
2. USABLE WIRE SIZE: STRANDED WIRE AWG #24 TO #28 OUTER DIA. (INCLUDING INSURATION) 1.0 DIA. TO 1.6 DIA.
3. CARRIER CAN BE LEFT AS SHOWN.
4. THIS CONTACT IS DELIVERED IN ONE KIT CONTAINING 100 PCS.
- 注1. 適合ピンは $\square 0.64^{\pm 0.05}$ である。
2. 圧着適合電線サイズはAWG #24~#28の撚り線であり、被覆外径寸法がφ1.0~φ1.6のものである。
3. キャリア切り残し量を示す。
4. 本品はコンタクト100ヶを単体の状態で封入して納入されます。

DOF-C-212D(98.02)



JAE Connector Div. Proprietary.
Copyright© Japan Aviation Electronics Industry, Ltd.

1	CONTACT	100	PHOSPHOR BRONZE	SEE TABLE 1	
符号 NO.	名称 DESCRIPTION	個数 QTY.	材料 MATERIAL	仕上 FINISH	備考 REMARKS
仕様書 (SPECIFICATION) JACS-1209	第1版 (ORIGINAL DATE) 10.Jun.1983	尺度 (SCALE) 1/50	製図 DR. K. ITOH	名称 (TITLE) PS-SLA-C2-* -100 (031-51116-00*)	日本航空電子工業株式会社 Reference Only JAPAN AVIATION ELECTRONICS INDUSTRY, LTD. 図面番号 (DRAWING NO.) SJ018258
公差 (GENERAL TOLERANCE)	角度 (ANGLES)	担当 CHK. I. SUZUKI	製図 DR. K. ITOH	重量 (WEIGHT)	版数 (REV.) 6
寸法 (DIMENSION)		査閲 APPD. Y. HAYASHIDA	製図 DR. K. ITOH		
. ±0.8	×° ±	承認 APPD. T. YAJIMA	製図 DR. K. ITOH		
.× ±0.4	×°× ±		製図 DR. K. ITOH		
.×× ±0.1			製図 DR. K. ITOH		
.××× ±			製図 DR. K. ITOH		

本図面は日本航空電子工業(株)の所有する情報を含むもので当社の許可なく複製を禁止する。
THIS DRAWING CONTAINS INFORMATION THAT IS PROPRIETARY TO JAE AND CAN NOT BE REPRODUCED WITHOUT WRITTEN CONSENT OF JAE.

CDS-1821
SIZE A3