



Chipsmall Limited consists of a professional team with an average of over 10 year of expertise in the distribution of electronic components. Based in Hongkong, we have already established firm and mutual-benefit business relationships with customers from,Europe,America and south Asia,supplying obsolete and hard-to-find components to meet their specific needs.

With the principle of "Quality Parts,Customers Priority,Honest Operation,and Considerate Service",our business mainly focus on the distribution of electronic components. Line cards we deal with include Microchip,ALPS,ROHM,Xilinx,Pulse,ON,Everlight and Freescale. Main products comprise IC,Modules,Potentiometer,IC Socket,Relay,Connector.Our parts cover such applications as commercial,industrial, and automotives areas.

We are looking forward to setting up business relationship with you and hope to provide you with the best service and solution. Let us make a better world for our industry!



Contact us

Tel: +86-755-8981 8866 Fax: +86-755-8427 6832

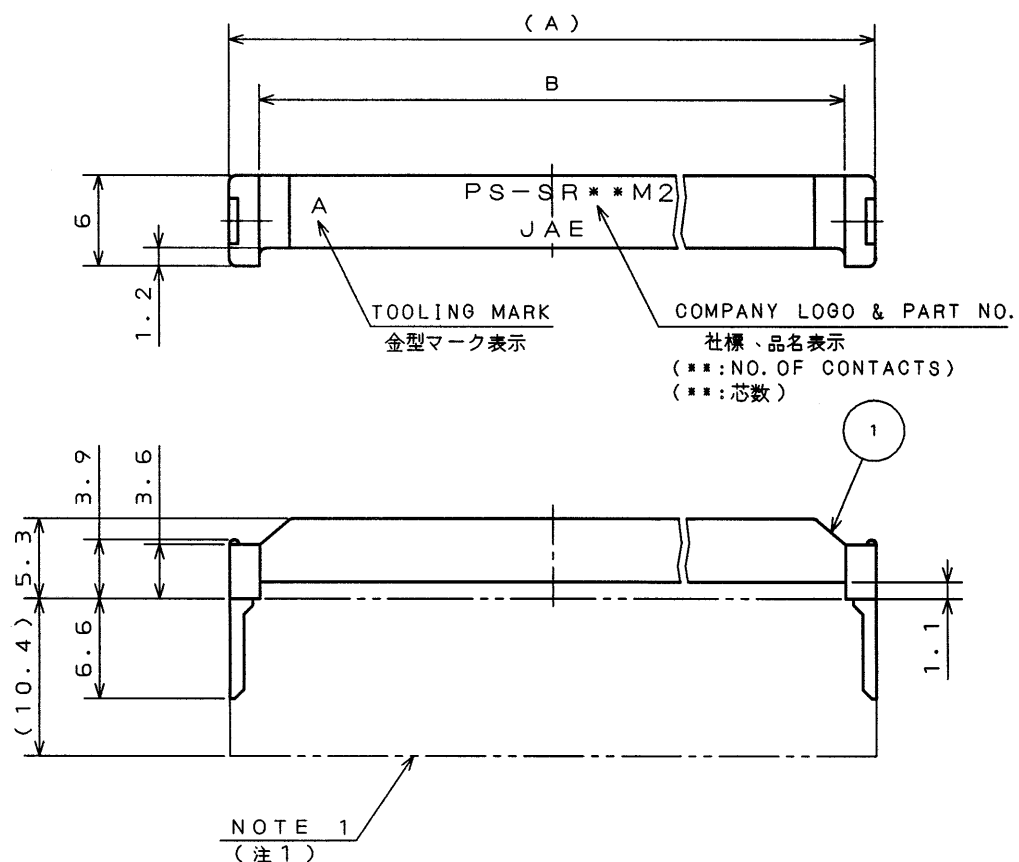
Email & Skype: info@chipsmall.com Web: www.chipsmall.com

Address: A1208, Overseas Decoration Building, #122 Zhenhua RD., Futian, Shenzhen, China



SJ025276
(DRAWING NO.) (図番)

版数 REV.	年月日 DATE	DCN NO.	変更内容 DESCRIPTION	製図 DR.	担当 CHK.	査閲 APPD.	承認 APPD.
2	31.Jul.2000	46580	REDRAWN	H.SAKURADA	M.SASAKI	M. Watano	H. Yasui



ASSEMBLED FIGURE
(使用状態図)

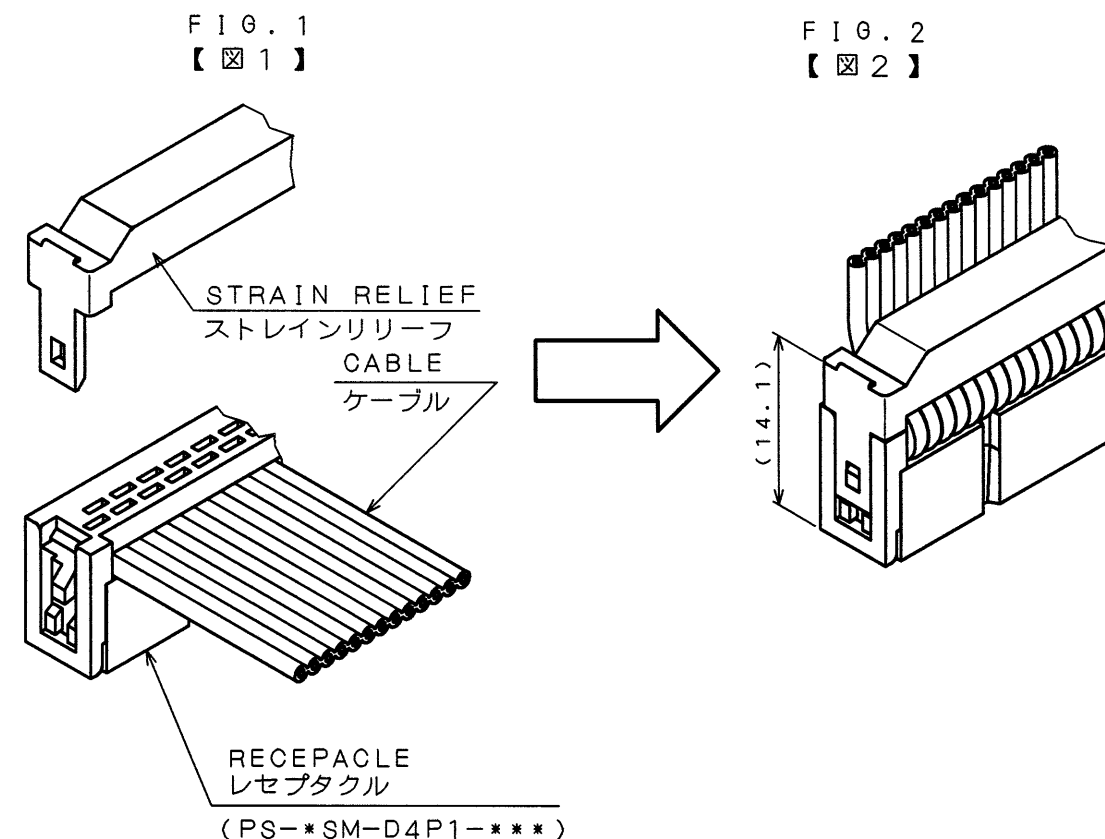


TABLE 1
表1

PART NO. 品名	A	B	APPLICABLE CONNECTOR 適合コネクタ
PS-SR10M2	17.23	13.23	PS-10SM-D4P1-***
PS-SR16M2	24.85	20.85	PS-16SM-D4P1-***
PS-SR20M2	29.93	25.93	PS-20SM-D4P1-***
PS-SR26M2	37.55	33.55	PS-26SM-D4P1-***
PS-SR30M2	42.63	38.63	PS-30SM-D4P1-***
PS-SR34M2	47.71	43.71	PS-34SM-D4P1-***
PS-SR40M2	55.33	51.33	PS-40SM-D4P1-***
PS-SR50M2	68.03	64.03	PS-50SM-D4P1-***
PS-SR60M2	80.73	76.73	PS-60SM-D4P1-***

NOTE 1. REFER TO THE DRAWING SJ017713~SJ017716 FOR APPLICABLE CONNECTOR.

注1. 適合コネクタの寸法形状は図面SJ017713~SJ017716を参照のこと。

1	STRAIN RELIEF	1	GLASS FILLED 6-6Ny	仕上 FINISH	備考 REMARKS
符号 NO.	名称 DESCRIPTION	個数 QTY.	材料 MATERIAL	PS	SEE TABLE 1
仕様書 (SPECIFICATION)		第1版 (ORIGINAL DATE) 18.Jul.1990		尺度 (SCALE) 2:1	備考 REMARKS 日本航空電子工業株式会社 JAPAN AVIATION ELECTRONICS INDUSTRY, LTD.
公差 (GENERAL TOLERANCE)		製図 DR. J.HAYAKAWA		名称 (TITLE) PS-SR***M2	
寸法 (DIMENSION)		担当 CHK. K.HISATOMI		STRAIN RELIEF	
角度 (ANGLES)		査閲 APPD. H.YASUI		図面番号 (DRAWING NO.) SJ025276	
. ±0.8	° ±	承認 APPD. N.KAWABE		重量 (WEIGHT)	
.X ±0.4	°X ±			重量 (WEIGHT)	
.XX ±0.1				重量 (WEIGHT)	
.XXX ±				重量 (WEIGHT)	

本図面は日本航空電子工業(株)の所有する情報を含むもので当社の許可なく複製を禁止する。
THIS DRAWING CONTAINS INFORMATION THAT IS PROPRIETARY TO JAE AND CAN NOT BE REPRODUCED WITHOUT WRITTEN CONSENT OF JAE.

DOF-C-212D(98.02)



CDS-9078-1
A3
SIZE