



Chipsmall Limited consists of a professional team with an average of over 10 year of expertise in the distribution of electronic components. Based in Hongkong, we have already established firm and mutual-benefit business relationships with customers from,Europe,America and south Asia,supplying obsolete and hard-to-find components to meet their specific needs.

With the principle of "Quality Parts,Customers Priority,Honest Operation,and Considerate Service",our business mainly focus on the distribution of electronic components. Line cards we deal with include Microchip,ALPS,ROHM,Xilinx,Pulse,ON,Everlight and Freescale. Main products comprise IC,Modules,Potentiometer,IC Socket,Relay,Connector.Our parts cover such applications as commercial,industrial, and automotives areas.

We are looking forward to setting up business relationship with you and hope to provide you with the best service and solution. Let us make a better world for our industry!



## Contact us

Tel: +86-755-8981 8866 Fax: +86-755-8427 6832

Email & Skype: info@chipsmall.com Web: www.chipsmall.com

Address: A1208, Overseas Decoration Building, #122 Zhenhua RD., Futian, Shenzhen, China



# PFC MicroS™ Power Factor Corrected AC-DC Switcher

October 2012



Contents	Page
Overview of Product	1
Standard Features	2
Optional Features	2
Part Numbering	3
Mechanical Considerations	3
Do's and Don'ts	3
Technical Description	4
"Quick Install" Instructions	5
Mechanical Drawings	7
Output Connections	8
PFC Micro Connector Kit	8
Power Connections	9
User Interface Connections	10
Specifications	16
Output Power Derating	18
Current Share Boards	20



## Overview

The PFC MicroS is an ultra low profile switching power supply that combines the advantages of power factor correction (PFC) with high power density. This guide covers both the standard and rugged COTS (MI) versions of the supply. The PFC MicroS provides up to three isolated outputs (from one slot) and accommodates the following Vicor DC - DC Converters:

**VI-200/VI-J00:** 1 full brick or 2 half brick

**Maxi/Mini/Micro:** 1 full brick, 2 half bricks or 3 quarter bricks

The use of these converters give the PFC MicroS the inherent power flexibility typical of all Vicor products. Accepting input voltages of 85 Vac to 264 Vac, and 100 to 300 Vdc, the PFC MicroS can provide up to 600 Watts in a package size of 1.86" H (47mm) x 5.06" W (128,5 mm) x 7.95" L (201,9 mm). The PFC MicroS is factory configured to meet output requirements of the user. Using the VSPOC configurator tool available on vicorpower.com, anybody can now configure a PFC MicroS (and other Vicor power supplies) online.

---

## Standard Features

- Power Factor Correction: Typically 0.98 (>75% Load)
- Universal Input: 85-264 Vac, 47-500 Hz, or 120-300 Vdc
- Power Output: 600 W at 230 Vac (200 Vac minimum input) ; 500 W at 115 Vac (100 Vac minimum input)
- Up to three isolated outputs (one slot)
- Fan cooled
- Full power to 45°C; half power at 65°C
- Soft start for limiting inrush current
- Conducted EMI:      FCC Class A                      EN 55022, Class A (consult factory)
- Harmonic Distortion to EN61000-3-2
- AC Power OK status signal;
- Output Sequencing and General Shutdown
- Autosense (Refer to Page 6 and 14 for more information on Autosense)
- Output overcurrent protection on all outputs
- Output overvoltage protection (not applicable when using VI-J00 DC-DC Converters)
- Output overtemperature limiting  
(not applicable when using VI-J00 DC-DC Converters )
- Ride-through (holdup) time: >20 ms at 500 W load (nominal line)
- Size: 1.86" H (47,3 mm) x 5.06" W (128,5 mm) x 7.95" L (201,9 mm)
- Safety Agency Approvals: CE Marking, TUV CUE  
(certain configurations may not have all listed approvals)
- Uses 300 Vdc input VI-200/VI-J00 modules and/or 375 Vdc input Maxi/Mini/Micro modules
- Power good status signal when Maxi, Mini or Micro modules used

## Optional Features

- I/T/H-grade output converters
- Current Share Board for unit to unit power sharing- See Pages 20 - 22
- Connector kits (#19-130044)
- MI Chassis specific options:
  - Mil-STD 810 for Shock and Vibration
  - Mil-STD 704 and 1399 for Overvoltage and Transients
  - -40°C operation
  - Conformal coating - contact factory

---

## Part Numbering

**PFC MicroS**                    **PS $x_1$ - $x_2$   $x_3$ ( $x_4$ )-xxxx- $x_5$**   
ex. PS2-20-6544-G

- $x_1$  = number of outputs
- $x_2$  = number of VI-200/VI-J00 modules
- $x_3$  = number of Maxi/Mini/Micro modules
- ( $x_4$ ) = optional Factory assigned
- xxxx = sequential number assigned by Vicor
- $x_5$  = optional Factory assigned

Note:  $x_5$  = MI for rugged chassis, = MC for rugged chassis with conformal coating

## Mechanical Considerations

The PFC MicroS can be mounted on one of three surfaces using standard 8 - 32 or 4 mm screws. Maximum allowable torque is 5 in. lbs., and the maximum penetration of 0.25 (6 mm) on the sides and 0.125 in. (3 mm) on the bottom.

When selecting a mounting location and orientation, the unit should be positioned so air flow is not restricted. Maintain a 2" (5,1 cm) minimum clearance at both ends of the PFC MicroS, and route all cables so airflow is not obstructed. The power supply draws air in at the fan side/AC input side and exhausts air out the load side. If airflow ducting is used, avoid sharp turns that could create back pressure. The fans move approximately 10 CFM of air.

Avoid excessive bending of output power cables after they are connected to the output terminals. For high-current outputs, use cable ties to support heavy cables and minimize mechanical stress on connectors. Be careful not to short-out to neighboring outputs. The maximum torque recommended on output nuts is 10 in. lbs.

Avoid applications in which the unit is exposed to excessive shock or vibration levels as the unit is designed primarily for office type equipment. In such applications, a shock absorbing mount design is required.

## PFC MicroS Do's and Don'ts

- Do not restrict airflow to the unit. The cooling fan draws air into the unit and forces it out at the output power terminals. A minimum of 2" in front and behind the supply should be maintained in order to prevent air obstructions.
- Run the output (+/-) power cables next to each other to minimize inductance. Use twisted pairs if possible.
- Do not attempt to repair or modify the power supply in any manner. In the event of problems, contact Customer Service at 1-800-735-6200.
- Insert proper fault protection at power supply input terminals (i.e., a fuse).
- Use proper size wires to avoid overheating and excessive voltage drop.
- Output voltages over 60 Vdc, whether from individual modules or series arrays, are considered as hazardous secondary outputs under UL 60950. Appropriate care must be taken in design implementation of the supply.

## Technical Description

The PFC MicroS consists of an off-line single phase, power-factor-corrected front end, EMI filter, cooling fan, customer interface, power supply control circuitry, associated housekeeping circuits, and a selection of Vicor's VI-200/VI-J00 and/or Maxi/Mini/Micro DC-DC converters.

Input AC mains voltage is applied to input connector MBI. The input current is passed through an EMI filter designed to meet conducted noise limit "A" specifications of FCC Part 15.

At start-up, inrush current is limited by a PTC thermistor. The PTC is shunted out shortly after initial power-up by a DC bus voltage sense circuit driving a relay. After rectification, the input voltage is put through a boost converter that keeps the AC input current sinusoidal and synchronized with the input AC voltage (in compliance with EN61000). The boost converter delivers a regulated input to the hold-up capacitors and a high voltage backplane. The backplane supplies power to the DC-DC converters that provide the desired low voltage regulated outputs.

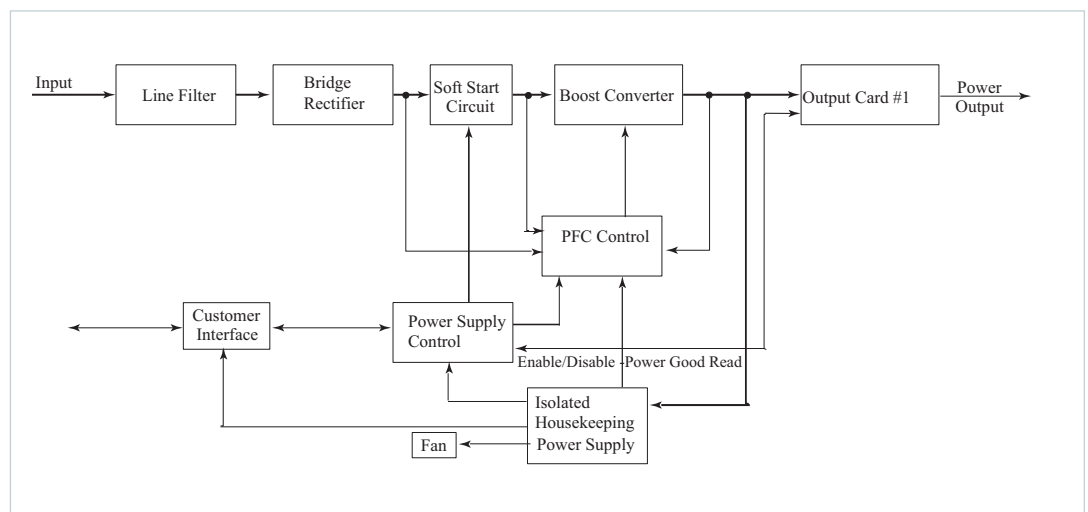
Output voltage conversion is achieved by Vicor's family of Zero-Current-Switching (ZCS) DC-DC converters. These are forward converters in which the main switching element switches at zero current. This patented topology has a number of unique attributes: low switching losses; high frequency operation, resulting in reduced size for magnetics and capacitors; excellent line and load regulation; wide adjustment range for output; low EMI/RFI emission and high efficiencies.

At initial power-up, the PFC MicroS outputs are disabled to limit the inrush current and to allow the DC bus potential to settle out to the correct operating level. A low-power flyback converter converts the high voltage DC bus into regulated low voltage to power the internal housekeeping circuits and DC cooling fan.

The internal housekeeping Vcc comes up within 1 s after the application of input power. Once the high voltage bus is within operating limits, the AC Power OK signal asserts to a TTL "1," indicating the input power is OK, and the power outputs will come up 250 ms later.

An output Enable/Disable function is provided to control Vicor's DC-DC converters. If the Enable/Disable control pin is pulled low, the modules output is disabled. The nominal delay associated for an output to come up when measured from release of the Enable/Disable pin is 9 - 12 ms. The General Shutdown function controls all outputs simultaneously and works in a similar manner.

Figure 1.  
PFC MicroS Architecture



## PFC MicroS “Quick Install” Instructions

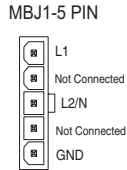
(For Mechanical Drawing, see Page 7)

### Mounting the PFC MicroS

- The PFC MicroS can be mounted on either of three sides.
- Use #8 - 32 or 4 mm mounting screws. Maximum penetration should not exceed 0.25 in. (6 mm) on the side and 0.125 in. (3 mm) on the bottom.
- Maintain 2" (5,1 cm) clearance at both ends of power supply for airflow.

### Input Connections

#### Input Power MBJ1



- Apply input AC power connector MBJ1.
- Maximum torque is 5 in. lbs.
- **A fuse or circuit breaker in the input line is necessary for safety requirements (10 A).**
- Molex mating receptacle 39-01-4051, terminals 39-00-0089, crimp tool Molex # 11-01-0199.

### Output Connections

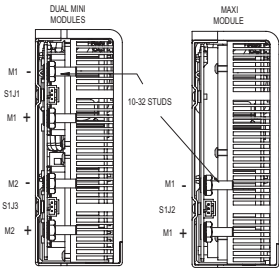
#### Power Connections

Installing bus bars on **output studs** (when full size and half size modules used):

- The right stud is Positive and the left stud is the Return on single output cards.
- Remove the nut and place ring lug over output stud.
- Replace and tighten the nut to a torque of **10 inch pounds**.  
**Do Not Over-Tighten Nuts.**

Installing power connectors with **16 pin Molex connectors** (when quarter size modules used):

- S1J1-7 and S1J1-15 are Positive for output #1, while pins S1J1-8 and S1J1- 16 are the Return. S1J1-4 and S1J1-12 are Positive for output #2, while pins S1J1-5 and S1J1- 13 are the Return. S1J1-1 and S1J1-9 are Positive for output # 3, while pins S1J1-2, and S1J1-10 are the Returns.
  - For this 16 pin housing, use Molex mating receptacle #39-01-2160 with #39-00-0039 terminals.
  - Attach 18 - 24 AWG stranded wire using Molex tool #11-01-0197.
- See Page 9 for diagrams of output connections.



S1J1

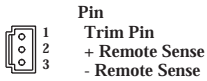
16	15	14	13	12	11	10	9
8	7	6	5	4	3	2	1

S1J1 (16 Pin)

-	+	T	-	+	N/C	-	+
-	+	T	-	+	T	-	+

## Sense Connections

### Sense Connections



### Sense Connections on output connections with studs:

- The PFC MicroS is shipped with Auto Sense installed (For more information on Autosense, refer to Page 14)
- For Remote Sense, connect Remote Sense wires to the Trim Connector (S1J2 connector for single outputs, and S1J1/J3 connector for dual outputs).
- Pin 2 is the +Sense and Pin 3 is the -Sense.
- Use Molex mating receptacle #50-57-9403 with #16-02-0103 terminals.
- Attach terminals to 24 - 30 AWG stranded twisted pair wire using Molex tool # 11-01-0208.
- Attach opposite end of sense lines to point where regulation is desired.
- **Verify that sense lines are not cross-connected.**

**Note:** Remote Sense is not available for triple output configurations.

## Trim Connections

### Trim Connections

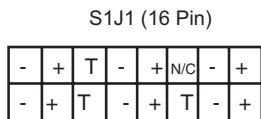


### Trim Connections on output connection(s) with studs:

- Pin 1 on the Trim connector provides Trim access. (S1J2 connector for single outputs, and S1J1/J3 connector for dual outputs).
- Use Molex mating receptacle #50-57-9403 with #16-02-0103 terminals.
- Attach 24 - 30 AWG stranded wire using Molex tool #11-01-0208.

### Trim Connections for output connections with 16 pin Molex connectors:

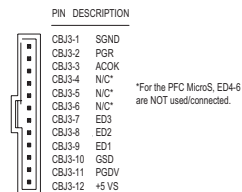
- S1J1-14 provides Trim access for output #1, and S1J1-6 provides Trim access for output #2, and S1J1-3 provides Trim access for output #3.



## Interface Connections

- CBJ3-1 is Signal Ground, CBJ3-2 is Power Good Read and CBJ3-3 is AC-OK.
- CBJ3-7-9 are Enable/Disable (For the PFC MicroS, CBJ3 4-6 are not used/connected), CBJ3-10 is General Shutdown, CBJ3-11 is Power Good Data Valid (PGDV) and CBJ3-12 is +5 VS.
- Use Molex mating receptacle #50-57-9412 with #16-02-0097 cinch pins.
- Attach terminals to 24 - 30 AWG stranded wire.

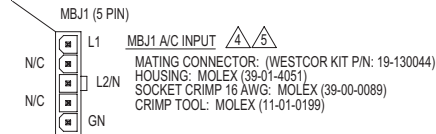
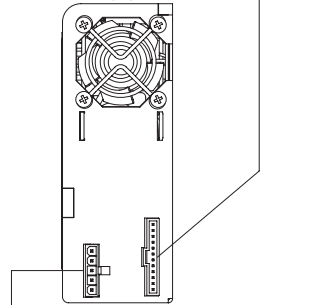
CBJ3 E/D INTERFACE CONNECTOR  
 MATING CONNECTOR: (WESTCOR KIT PIN: 19-130044)  
 HOUSING: MOLEX (50-57-9412)  
 SOCKET CRIMP 24-30 AWG: MOLEX (16-02-0097)  
 CRIMP TOOL: MOLEX (11-01-0209)



### PFC MICROS

CBJ3 E/D INTERFACE CONNECTOR   
 MATING CONNECTOR: (WESTCOR KIT P/N: 19-130044)  
 HOUSING: MOLEX (50-57-9412)  
 SOCKET CRIMP 24-30 AWG: MOLEX (16-02-0097)  
 CRIMP TOOL: MOLEX (11-01-0209)

		PIN	DESCRIPTION
		1	SGND
		2	PGR
		3	ACOK
		4	N/C
		5	N/C
		6	N/C
		7	ED3
		8	ED2
		9	ED1
		10	GSD
		11	PGDV
		12	+5 VS



NOTES: UNLESS OTHERWISE SPECIFIED

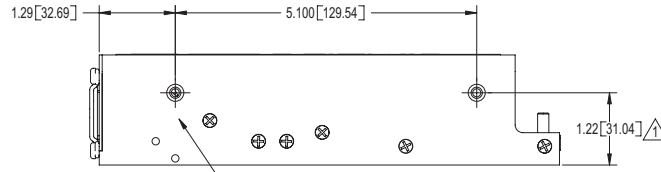
DIMENSIONS SHOWN ARE FROM BOTTOM SURFACE  
 MOUNTING PEMNUTS EXTEND .010 PAST BOTTOM SURFACE.

ED 4 THRU 6 NOT USED.

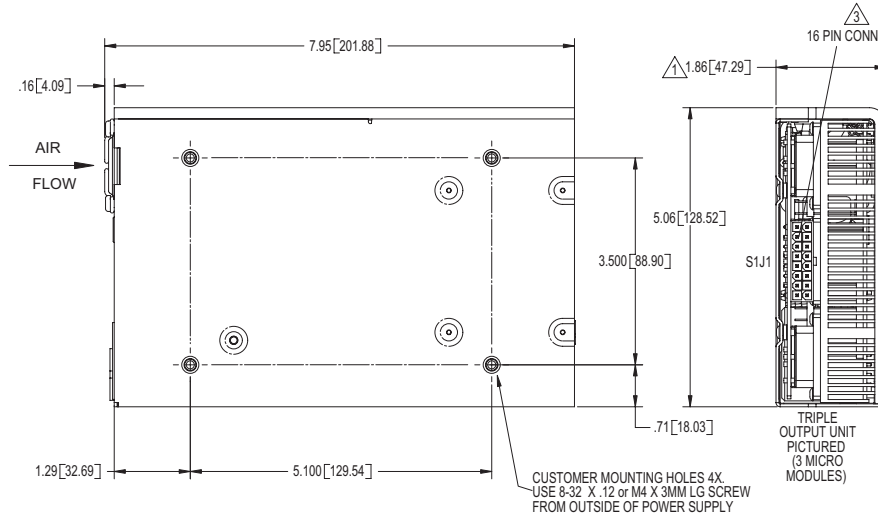
ED / REFERENCE DESIGNATION LEGEND:  
 MB= MOTHER BOARD  
 CB= CONTROL BOARD  
 S1 = (SLOT 1) DAUGHTER BOARD MODULES ED 1 THRU 3

CONNECTOR PART NUMBERS SPECIFIED ARE MOLEX OR EQUIVALENT.

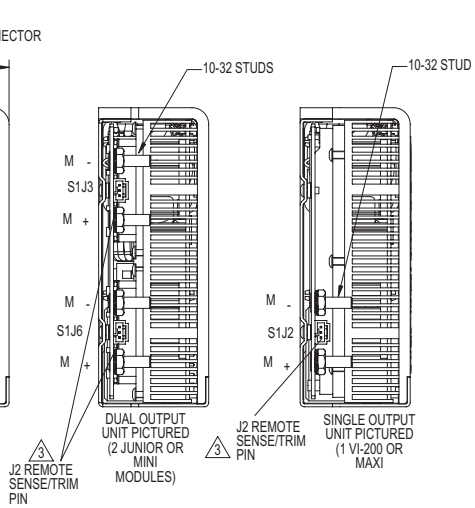
A COMPLETE SET OF MATING CONNECTORS CAN BE PURCHASED FROM WESTCOR BY SPECIFYING CONNECTOR KIT P/N 19-130044



CUSTOMER MOUNTING HOLES 2X.  
 USE 8-32 X .25 or M4 X 6MM MAX LG SCREW  
 FROM OUTSIDE OF POWER SUPPLY



CUSTOMER MOUNTING HOLES 4X.  
 USE 8-32 X .12 or M4 X 3MM LG SCREW  
 FROM OUTSIDE OF POWER SUPPLY

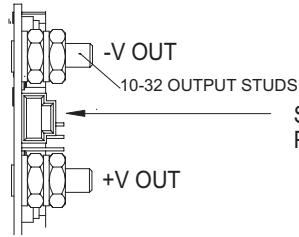


See page ??? for detailed output connection information.



## Output Connections for the PFC Micro

### A. OUTPUT STUDS - SINGLE, DUAL OUTPUTS - when populated with full or half size module(s)



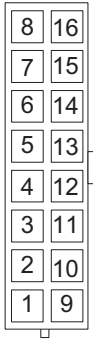
SxJ2 REMOTE SENSE/TRIM  
PIN CONNECTOR

3	- SENSE
2	+ SENSE
1	TRIM

MATING CONNECTOR:

HOUSING: MOLEX (50-57-9403),  
TERMINAL FEM CRIMP 24-30 AWG: MOLEX (16-02-0103)  
USE CRIMP TOOL: MOLEX (11-01-0208)

### B. 16 PIN MOLEX CONNECTOR - SINGLE, DUAL, TRIPLE OUTPUTS - when populated with quarter size modules



\*SxJ1 (16 PIN OUTPUT, REMOTE SENSE  
AND TRIM PIN CONNECTOR)

PIN	DESCRIPTION	PIN	DESCRIPTION
1	+V OUT M3	9	+V OUT M3
2	-V OUT M3	10	-V OUT M3
3	TRIM M3	11	N/C
4	+V OUT M2	12	+V OUT M2
5	-V OUT M2	13	-V OUT M2
6	TRIM M2	14	TRIM M1
7	+V OUT M1	15	+V OUT M1
8	-V OUT M1	16	-V OUT M1

MATING CONNECTOR:

16 PIN HOUSING: MOLEX (39-01-2160)  
TERMINAL FEM CRIMP 18-24 AWG: MOLEX (39-00-0039)  
USE CRIMP TOOL: MOLEX (11-01-0197)

### Output Connectors for PFC MicroS (PART #19-130044. Available for purchase from Vicor)

Item	Qty	Description	Vendor #1	Part #
1	3	HOUSING 3 POS .100 CTR W/LATCH	MOLEX	50-57-9403
2	8	TERMINAL FEM CRIMP 22 - 24 AWG SEL GOLD	MOLEX	16-02-0103
**		CRIMP TOOL FOR ITEM 2	MOLEX	11-01-0208
3	2	HOUSING 16 POS .165 CTRS W/LATCH	MOLEX	39-01-2160
4	2	HOUSING 18 POS .165 CTRS W/LATCH	MOLEX	39-01-2180
5	40	TERMINAL FEM CRIMP 18 - 24 AWG SEL GOLD	MOLEX	39-00-0039
**		CRIMP TOOL FOR ITEM 5	MOLEX	11-01-0197
6	40	TERMINAL FEM CRIMP 16 AWG SEL GOLD	MOLEX	45750-3211
**		CRIMP TOOL FOR ITEM 6	MOLEX	11-01-0199
7	1	HOUSING 5 POS .165 CTRS W/LATCH	MOLEX	39-01-4051
8	5	TERMINAL FEM CRIMP 16 AWG SEL GOLD	MOLEX	45750-3211
**		CRIMP TOOL FOR ITEM 8	MOLEX	11-01-0199
9	1	HOUSING 12 POS .10 CTRS W/LATCH	MOLEX	50-57-9412
10	14	TERMINAL FEM CRIMP 24 - 30 AWG SEL GOLD	MOLEX	16-02-0097
**		CRIMP TOOL FOR ITEM 10	MOLEX	11-01-0209
** ITEMS FOR REFERENCE ONLY (NOT INCLUDED IN KIT)				

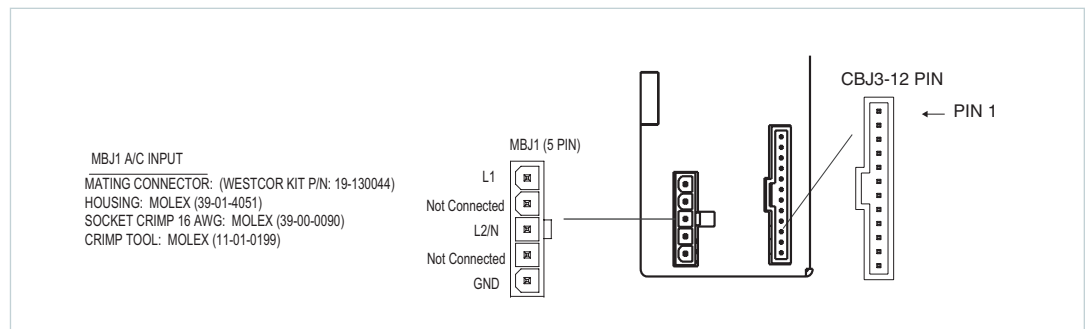
## Power Connections

### Chassis Input Power Terminals (MBJ1)

Input AC power is applied through connector MBJ1 using Molex mating connector 39-01-4051. Use 16 AWG wire with Molex Socket Pin 39-00-0090 and Crimp Tool 11-01-0199.

A fault clearing device, such as a fuse or circuit breaker, with a maximum 10 A rating at the power supply input is required for safety agency compliance. It should be sized to handle the start-up inrush current of 8.5 A peak at 115 Vac and 17 A peak at 230 Vac.

Figure 2.  
Input Power Terminal MBJ1

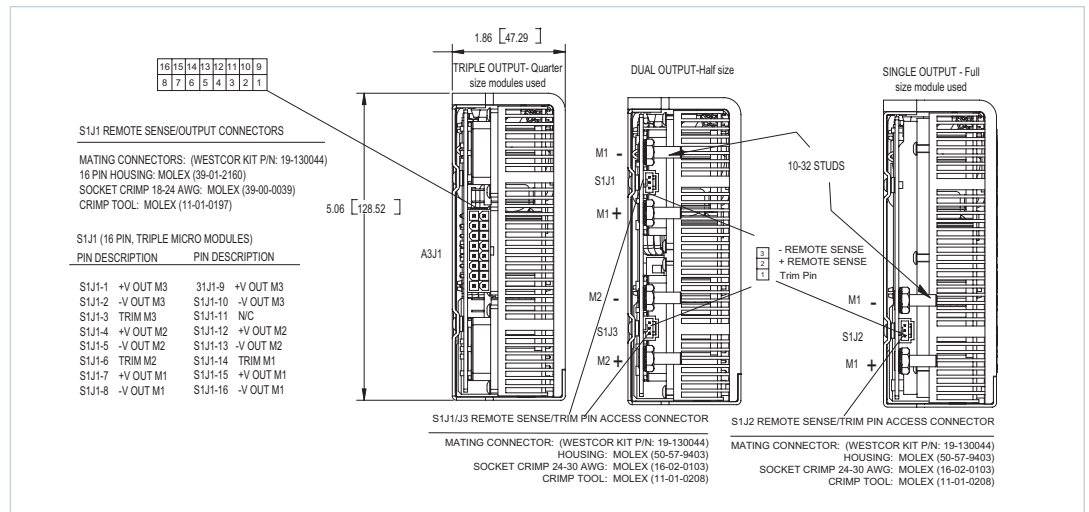


### Output Power Connections

There are two types of output power terminals available in the PFC MicroS. For connections using full or half size modules, outputs are terminated at 10 - 32 plated steel bolts. The positive polarity of the output is the right bolt when viewed from the output end. For connections using quarter size modules, outputs are terminated using a single 16 pin Molex connector. Each power output is isolated, so outputs of positive or negative polarity can be configured through proper selection of the output reference terminal.

In order to minimize parasitic cable inductance and reduce EMI, the output power cables should be routed in close proximity to one another, and large current loops should be avoided. To avoid excessive voltage drop, do not undersize power cables, especially for high current outputs. Do not bundle input AC wires with the output wires because this can couple output noise into the input wires which can increase EMI. Excessive cable inductance coupled with large capacitive loading can introduce instability in switching power supplies. This problem can be avoided with proper system design. Consult Vicor's Applications Engineering Department for assistance with applications that use long cable lengths and excessive load capacitance.

Figure 3.  
Output Power Connections



## User Interface Connections

### Signal Ground (CBJ3-1)

Signal Ground on CBJ3-1 is an isolated secondary ground reference for all CBJ3 interfacing signals. This is not the same as Earth Ground on input power connector MBJI.

### Bi-directional I/O lines (CBJ3-7 to CBJ3-9) (Enable/Disable or Module Power Good Status)

#### Enable/Disable Mode

Enable/Disable mode is the default condition for these I/O lines. In this mode, the control pins allow the outputs to be sequenced either ON or OFF. To disable a module, the E/D pin should be pulled low to less than 0.7 V with respect to Signal Ground. The E/D lines will typically source 250 mA (1 mA max.) under this condition. To enable a module, a E/D pin should be open circuited or driven high to a logic high voltage of 3.5 V (40 mA typical) or greater not to exceed 5 V.

The correspondence between a module and its E/D line as seen from the output end of the power supply goes from left to right. The PFC MicroS power supply is a one slot box. E/D1, E/D2, and E/D3 are present in this slot. (E/D4, E/D5, E/D6 are NOT used/connected in the PFC MicroS). See Table 1. E/D1 corresponds with  $V_{OUT}$  M1, E/D2 corresponds with  $V_{OUT}$  M2 and E/D3 corresponds with  $V_{OUT}$  M3.

Table 1.  
Enable/Disable Mode

	Slot 1		
	E/D1	E/D2	E/D3
<b>Maxi Modules</b>	X		
<b>Mini Modules</b>	X	X	
<b>Micro Modules</b>	X	X	X
<b>VI-200 Modules</b>	X		
<b>VI-J00 Modules</b>	X	X	

---

## Module Power Good Status Mode

The power supply will enter the Power Good Status Mode when logic high (50 mA typical) is applied to Power Good Read (PGR) pin (CBJ3-2). After transitioning to PGR mode the I/O lines (CBJ3-4 to CBJ3-9) will be outputs and will give a onetime readout of the associated module status. These outputs give an indication of the status of the modules of the power supply at the time of transition to PGR. A TTL "1" (>3.5 V) on a line indicates the module is ON and functioning properly, and a TTL "0" (<0.7 V) indicates the module is either OFF or is not functioning properly. The correspondence between the module and the Power Good Status of that module is the same as between a E/D pin and its module. This mode does NOT constantly monitor the module status and must be re-triggered by transitioning the PGR pin from logic low to logic high to get current module status.

Procedurally, certain guidelines must be followed when using this feature. Upon application of a logic high on the Power Good Read (PGR) pin, the user must change its E/D interface (CBJ3-4 to CBJ3-9) from outputs to inputs within 3 ms. The Power Good Status data will be valid on the E/D lines when the Power Good Data Valid (PGDV) pin (CBJ3-11) asserts to a logic high. The power good status measurement takes typically 200ms. While in the Power Good Read Mode (PGR = 1) the individual shutdown lines are not functional. However, General Shut Down (GSD) is functional. Leaving the Power Good Read mode is accomplished by removing the logic high or applying a logic low (<0.7V) to the Power Good Read (PGR) pin (CBJ3-2). The user must change its E/D interface (CBJ3-4 to CBJ3-9) from inputs to outputs between 1 ms and 4 ms of the time the PGR low is applied to pin CBJ3-2.

**Note:** If any model is disabled by the user when a Power Good Read is requested (PGR = 1), that module will remain off during the Power Good Read and status of said module will be power not good (<0.7 V). Power Good Read status data on open E/D lines are not valid. An open E/D line is a E/D pin where there is no module associated with said E/D line (i.e. A power supply with two Maxi modules, Data on E/D2, E/D3 and E/D5 and E/D6 are NOT valid.

The Power Good Status Mode feature is only valid when Maxi, Mini and/or Micro modules are used.

The following page shows examples of triggering PGR with a 1 Hz square while monitoring PGDV and a selected E/D line with a good module and a defective one.

Figure 4.  
PowerGood Read  
with Good Module

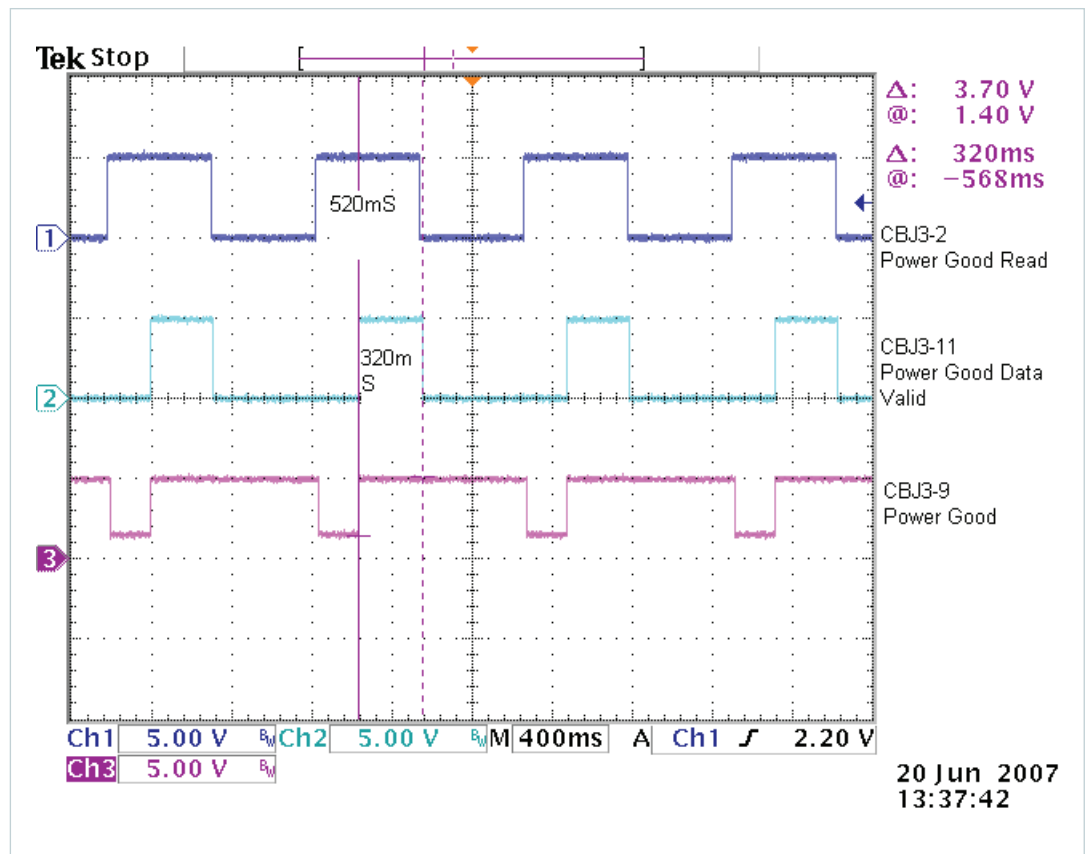
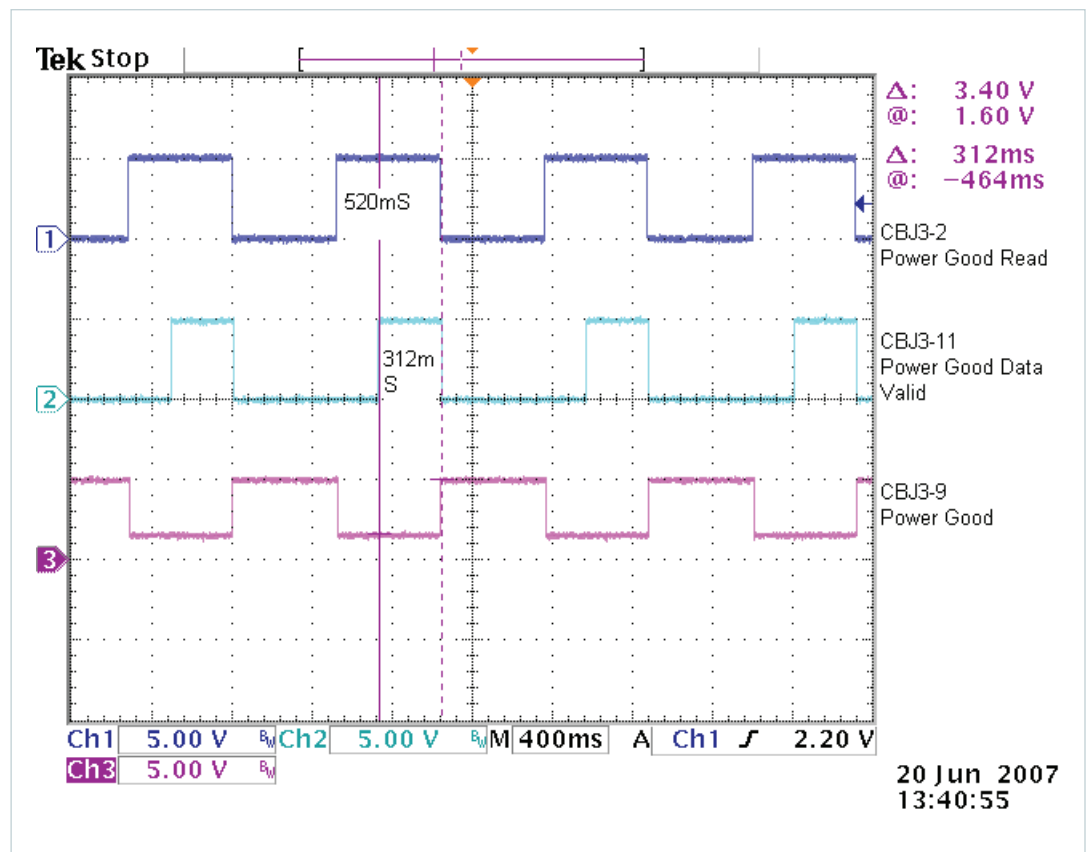


Figure 5.  
PowerGood Read  
with Defective Module



### General Shutdown /GSD (CBJ3-10)

The GSD control pin on CBJ3-10 allows simultaneous shutdown of all outputs. This pin must be pulled down to less than 0.7 V, and will typically source 250 mA (1 mA maximum) to shut down all outputs. The GSD pin should be open circuited or driven high to a logic high voltage of 3.5 V or greater when not in use, or when the outputs are to be enabled. Do not apply more than 5 V to this input at any time.

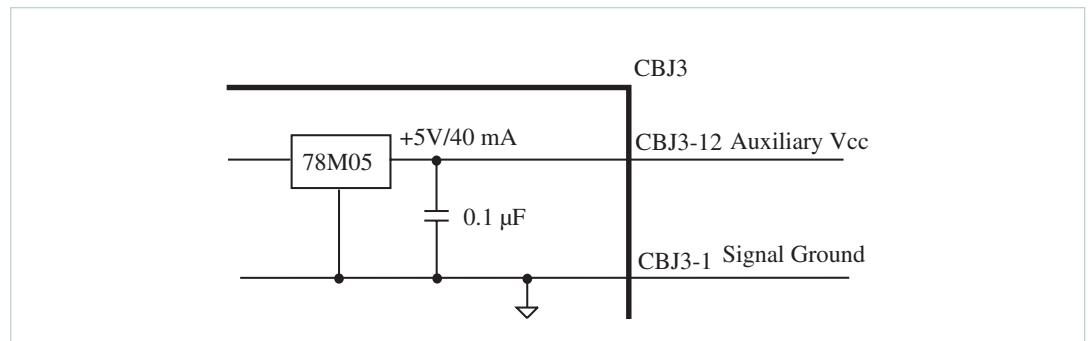
### AC OK (CBJ3-3)

AC OK is an active high TTL compatible signal and provides a status indication of the AC input power. It is on pin CBJ3-3 and is capable of sinking 5 mA maximum. This signal switches to a TTL "1" when the high voltage bus exceeds low-line condition during turn-on. Upon loss of input power, the bus voltage will drop, causing the AC OK signal to go low. Typically, a 3 ms holdup time is provided for a 500 W load following the loss of the AC OK signal.

### Auxiliary Vcc +5V/40mA (CBJ3-12)

The Vcc on CBJ3-12 is an auxiliary 5 V regulated power source. It is +5 Vdc  $\pm$ 5% with respect to Signal Ground and can supply 40 mA maximum. It is short-circuit-proof, but shorted user interface functionality will be lost.

Figure 6.  
Auxiliary Vcc



### Power Good Read (PGR, CBJ3-2)

This pin initiates the Power Good Read sequence. A logic high applied to this pin will cause the power supply to enter the Power Good Read status mode. In this mode, the I/O lines (CBJ3-4 to CBJ3-9) will be outputs. These outputs give an indication of the status of the modules of the power supply. A high on an I/O line (CBJ3-4 to CBJ3-9) indicates a module is ON and functioning and a low indicate the module is OFF or in a fault condition. The Power Good Status data will be valid on the ED lines (CBJ3-4 to CBJ3-9) when the Power Good Data Valid (PGDV) pin (CBJ3-11) asserts a logic high. Applying a logic low or opening the PGR pin puts the power supply back in the Enable/Disable mode. Instructions for using this function are on Page 11 under **Module Power Good Status Mode**.

### Power Good Data Valid (PGDV- CBJ3-11)

Upon entering the Power good Read status mode (PGR = 1, CBJ3-2), the data will not be valid on the I/O lines (CBJ3-7 to CBJ3-9) until the PGDV pin asserts itself logic high. This pin can source up to 5 mA. When this pin is logic low, Power Good status data is not valid or the power supply is not in the Power Good Read status mode.

### +Sense/-Sense (S1J2 and S1J1/J3 connectors)

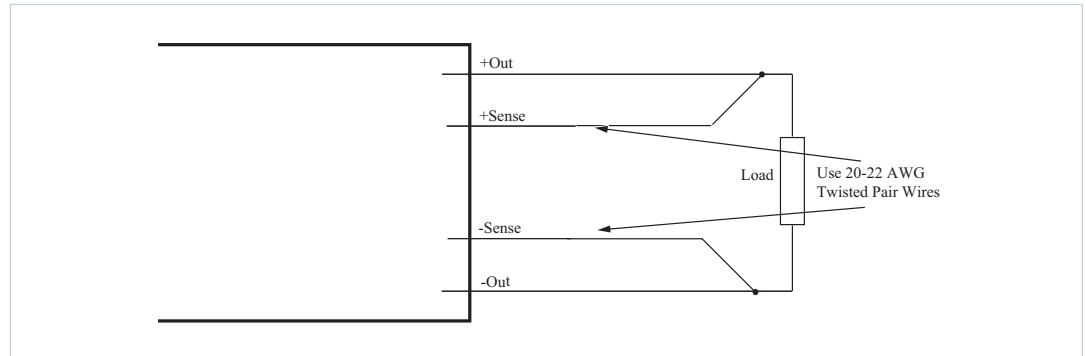
The sense lines for the outputs are shipped from the factory with Autosense. Autosense provides the user with automatic sensing of the outputs. With Autosense, the PFC MicroS will operate in a Remote Sense mode when the Remote Sense connections are made. But in the event that the Remote Sense is not connected or needed, no Local Sense selection is necessary - simply hook up the outputs and the PFC MicroS will automatically operate in Local Sense mode. To check if an output has the Autosense feature, measure the impedance from the + Out to + Sense and - Out to - Sense pins. If the impedance is 5 ohms, then the output has Autosense and does not require local sense jumpers.

In the local sense mode (Remote Sense lines not connected), the power supply will regulate the output at the output terminals. The voltage appearing at the load may drop slightly due to voltage drop in the power cables. If it is necessary to compensate for voltage drop along the output power cables, the output can be trimmed up or configured for Remote Sense. Use stranded twisted pair 20 - 22 AWG wire for the Remote Sense lines. Remote Sense can compensate for a voltage drop of up to 0.5 V, or 0.25 V on each leg.

The Sense connector for a single and dual output board is a 3 pin connector providing the +Sense connection on Pin 2 and the -Sense connection on Pin 3.

**Remote Sense is not available for triple output configurations.**

Figure 7.  
Remote Sense



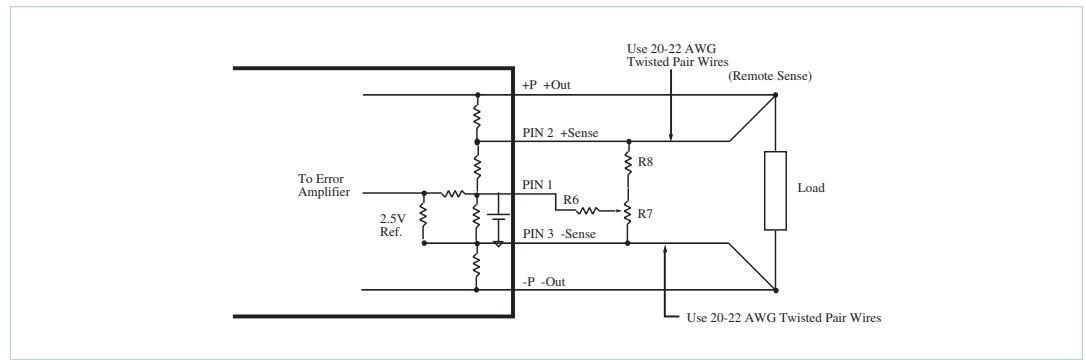
### External Trim (S1/S2 J2)

The Trim pin (S1J2 connector for single outputs, and S1J1/J3 connector for dual outputs) is referenced to the -Sense pin and can be used for external control of the output voltage. For triple output cards, the Trim pins are available on S1J1-14, S1J1-6 and S1J1-3 for outputs 1, 2 and 3 respectively. A 10% increase to the trim pin voltage will result in a 10% increase in output voltage. Reducing the trim pin voltage by 10% will result in a 10% decrease in output voltage.

Table 2.  
Module Internal Reference  
Voltages and Thevenin  
Resistances

Output Module	Vref	R <sub>TH</sub>
VI-200/VI-J00 ≥3.3 V	2.50 V	10.0 kW
VI-200/VI-J00 < 3.3 V	0.97 V	3.88 kW
Maxi (Predefined)	1.23 V	1.0 kW
Maxi ( User defined)	1.23 V	Consult Factory

Figure 8.  
External Pin



Example:

**±10% Trim adjust on a 12 V nominal output.**

Figure 8 shows a typical variable trim circuit. Using a 10 k trimpot (R7), the resistor values for R6 and R8 can be calculated as follows:

$$V_1 = V_{ref} + 10\% = 2.75 \text{ V}$$

Given:  $V_{ref} = 2.5 \text{ V}$  (see Table 2)

$$I_{R5} = (2.75 \text{ V} - V_{ref}) / R_{TH} = (2.75 \text{ V} - 2.5 \text{ V}) / 10 \text{ kW} = 25 \text{ mA}$$

Given:  $R_{TH} = 10 \text{ kW}$  (see Table 2)

Setting the bottom limit:

$$V_{R6} = 2.5 \text{ V} - 10\% = 2.25 \text{ V}$$

And since  $I_{R5} = I_{R6} = 25 \text{ mA}$ ,

$$R_6 = V_{R6} / I_{R6} = 2.25 \text{ V} / 25 \text{ mA} = 90 \text{ kW}$$

$$V_2 = V_1 + V_{R6} = 2.75 \text{ V} + 2.25 \text{ V} = 5 \text{ V}$$

$$I_{R7} = V_2 / R_7 = 5 \text{ V} / 10 \text{ kW} = 500 \text{ mA}$$

$$I_{R8} = I_{R7} + I_{R6} = 525 \text{ mA}$$

$$V_{R8} = (V_{nom} + 10\%) - V_2 = 13.2 \text{ V} - 5 \text{ V} = 8.2 \text{ V}$$

Given:  $V_{nom} = 12 \text{ V}$

$$R_8 = V_{R8} / I_{R8} = 8.2 \text{ V} / 525 \text{ mA} = 15.62 \text{ kW}$$

CONSULT APPLICATIONS ENGINEERING WHEN TRIMMING OUTPUTS BELOW 5 V.

**Single Output Power Supplies (Arrays)**

Vicor's standard configuration for single output power supplies is to set the left module (as seen from looking at the power supply output) as the controlling module of the array.



## Specifications (Typical at 25°C, nominal line and 75% load, unless otherwise specified)

<b>General</b>					
Number of Outputs	1-3				
Modules	VI-200/VI-J00: One VI-200 or Two VI-J00s Maxi/Mini/Micro: One Maxi, Two Minis or Three Micros				
Efficiency	Typically > 75%				
Safety Agency Approvals	cURus – UL 60950-1, CSA 60950-1; cTUVus – EN 60950-1, UL 60950-1, CSA 60950-1 CE Mark – Low Voltage Directive, 2006/95/EC Note: certain wide temp range units will not carry all approvals				
Maximum Output Power	500 W at 115 Vac, (100 Vac minimum input) <sup>[1]</sup> 600 W at 230 Vac, (200 Vac minimum input)				
<b>Input</b>					
Input	85 - 264 Vac, 47-500Hz 120 - 300 Vdc (see derating charts on Page 18)				
VI-200/VI-J00 Line/Load Regulation	0.2% max. from 10% to full load 0.5% max. from no load to 10% load				
Maxi/Mini/Micro Line Regulation <sup>[2]</sup>	0.20% max to 0.30% max				
Maxi/Mini/Micro Load Regulation <sup>[2]</sup>	0.20% max to 0.70% max				
Inrush Current	8.5 A peak @ 115 Vac 17 A peak @ 230 Vac				
Ride Through Time	>20 ms at 500 W load (nominal line)				
Conducted EMI	FCC Class A EN 55022 Class A (consult factory) Mil-STD 461 requires external filter				
Power Factor	Typically >.98 (>75% Load)				
Transient Burst Immunity	EN61000-4-4, Level 3, Performance Criteria A				
Surge Immunity (Common Mode & Normal Mode)	EN 61000-4-5, Level 3, Performance Criteria B (Temporary loss of output power may occur which is self recoverable.)				
Dielectric Withstand	Primary to Chassis GND = 2,121 Vdc Secondary to Chassis GND = 750 Vdc				
Oversoltage and Transients (MI chassis only)	Compliant to Mil-STD 704 and 1399 based on configurion contact factory				
<b>Output (VI-200/VI-J00 Modules)</b>					
Parameter	Min	Typ	Max	Units	Notes
Setpoint Accuracy <sup>[3]</sup>		0.5	1	%	of V <sub>NOM</sub>
Load/line Regulation		0.05	0.5	%	LL to HL, 10% to Full Load
Load/line Regulation		0.2	0.5	%	LL to HL, No Load to 10%
Temperature Regulation		0.01	0.02	%/°C	Over rated temp.
Long Term Drift		0.02		%/K hours	
Output Ripple & Noise: £ 10 V out > 10 V out		100 1.0		mV % V <sub>OUT</sub>	20 MHz bandwidth
Voltage Trim Range: VI-200/VI-J00 Slots		50-110		% V <sub>OUT</sub>	± 10% on 10 - 15 V <sub>OUT</sub>

## Specifications (Cont.)

Total Remote Sense Compensation	0.5			Volts	Autosense. See Pages 6 & 14
OVP Set Point <b>[4]</b>	115	125	135	%V <sub>OUT</sub>	Recycle Power
Current Limit	105	115	125	% of I max	Auto Recovery
Short Circuit Current	120 (105 <b>[5]</b> )		130	%	
Overtemperature Limiting					Not available on VI-J00
<b>Maxi, Mini and Micro Series Modules</b>					
<b>Parameter</b>	<b>Min</b>	<b>Typ</b>	<b>Max</b>	<b>Units</b>	<b>Notes</b>
Setpoint Accuracy <b>[6]</b>		±0.5	±1	% of V <sub>NOM</sub>	
Load/line Regulation		±0.08	±0.45 (±7)	% of V <sub>NOM</sub>	0% to 100%
Temperature Regulation		0.002	0.005	%/°C	-20 to 100°C
Long Term Drift		0.02		%/K hours	
Output Ripple and noise: £ 10 V out > 10 V out		100 1.0		mV %V <sub>OUT</sub>	20 MHz bandwidth
Voltage Trim Range: Maxi/Mini/Micro Slots		10-110		% Vout	Preload may be required
Total Remote Sense Compensation	0.5			Volts	Autosense. See Pages 6 & 14. <b>[7]</b>
OVP Set Point	112		135	% of V <sub>OUT</sub>	Recycle power
Current Limit	102	115	135	% of I max	Auto Recovery
Overtemperature Limiting					Not available
<b>Environmental</b>					
Storage Temperature	-40°C to +85°C				
Operating Temperature Full Power Half Power	-20°C to +45°C (-40°C to +45°C option w/ MI chassis) -20°C to +65°C (-40°C to +60°C option w/ MI chassis)				
Altitude	Derate 2.6% total output power for each 1,000 ft to a maximum operating altitude of 15,000 ft. Non-operating storage maximum altitude is 40 K.				
Shock and Vibration	Mil-STD 810				
Humidity	0 to 95% non condensing				
Product Weight	3.1 lbs. (1,4 kg)				
Dimensions	1.86" H (47,3 mm) x 5.06" W (128,5 mm) x 7.95" L (201,9 mm)				
Warranty <b>[8]</b>	2 years limited warranty. See vicorpower.com for complete warranty statement.				

**[1] Note:** Not to exceed an input current of 7.5 A

**[2]** See Vicor module specifications. A preload may be necessary for modules trimmed down below 90% of normal output voltage.

**[3]** For special and adjustable voltages, maximum setpoint accuracy is 2% of V<sub>NOM</sub>.

**[4]** 131% Nominal for Booster Modules. No OVP for VI-J00.

**[5]** VI-J00 modules only.

**[6]** For special, adjustable voltages and 48 Vdc outputs, maximum setpoint accuracy is 2% of V<sub>NOM</sub>.  
**Note:** See individual module datasheets for specific module specifications.

**[7] Note:** Micro Modules do not support remote sense.

**[8]** Opening, repairing or modifying the unit will void the warranty. If you have any problem with the power supply, please contact Customer Service at 1-800-735-6200. If the unit needs to be returned for inspection/analysis, an RMA number will be issued. All units must have a RMA number prior to return.

## Output Power Derating

Figure 9.  
PFC Micro Output Power  
vs. AC Input Voltage

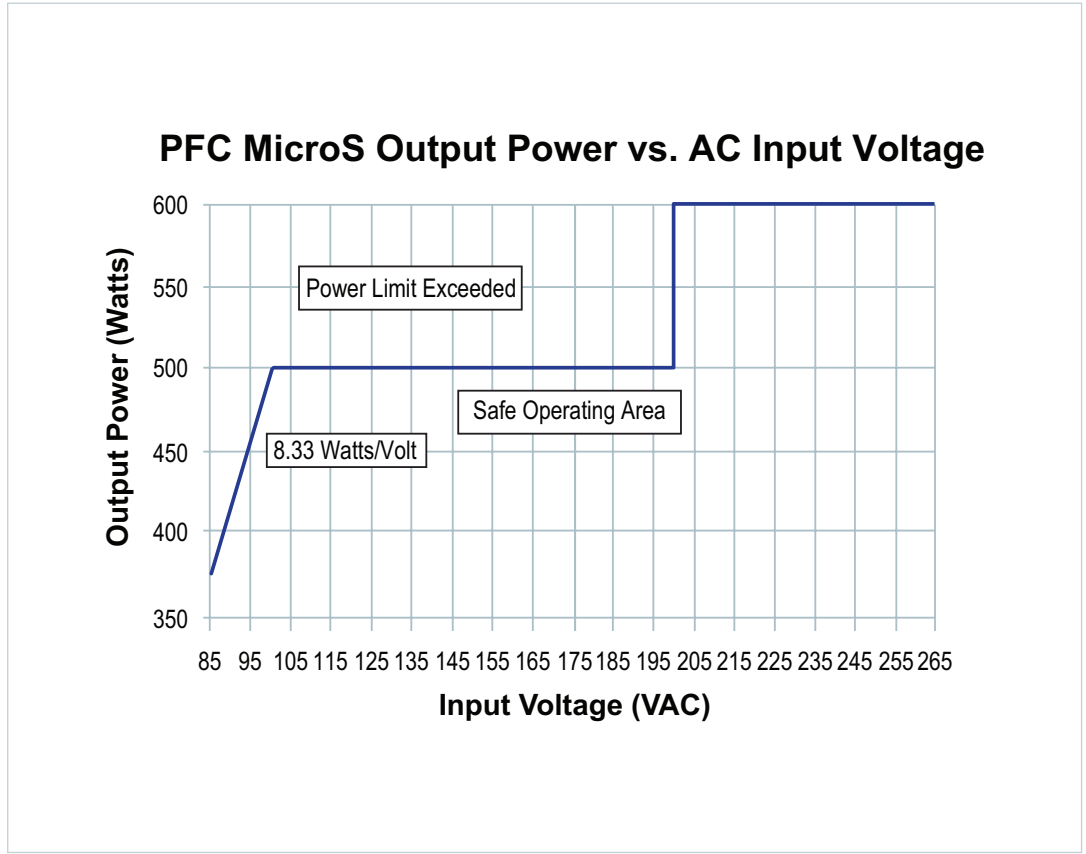


Figure 10.  
PFC Micro Output Power  
vs. DC Input Voltage

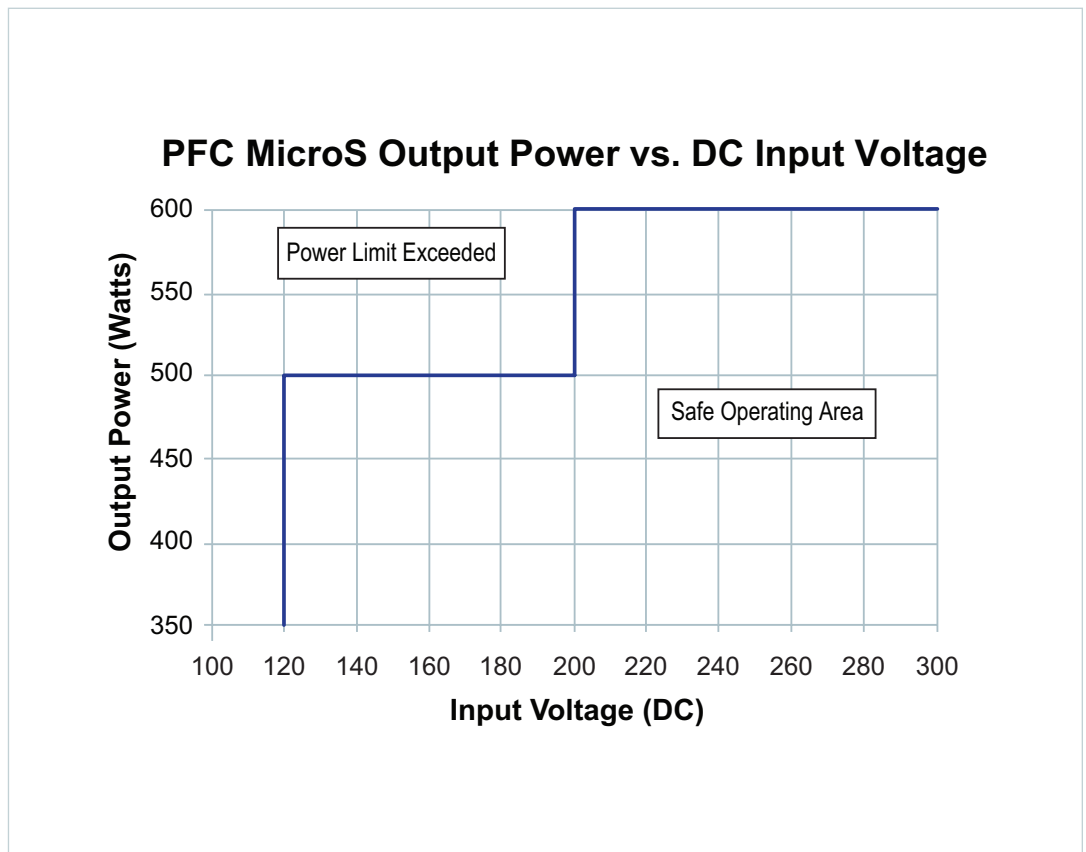
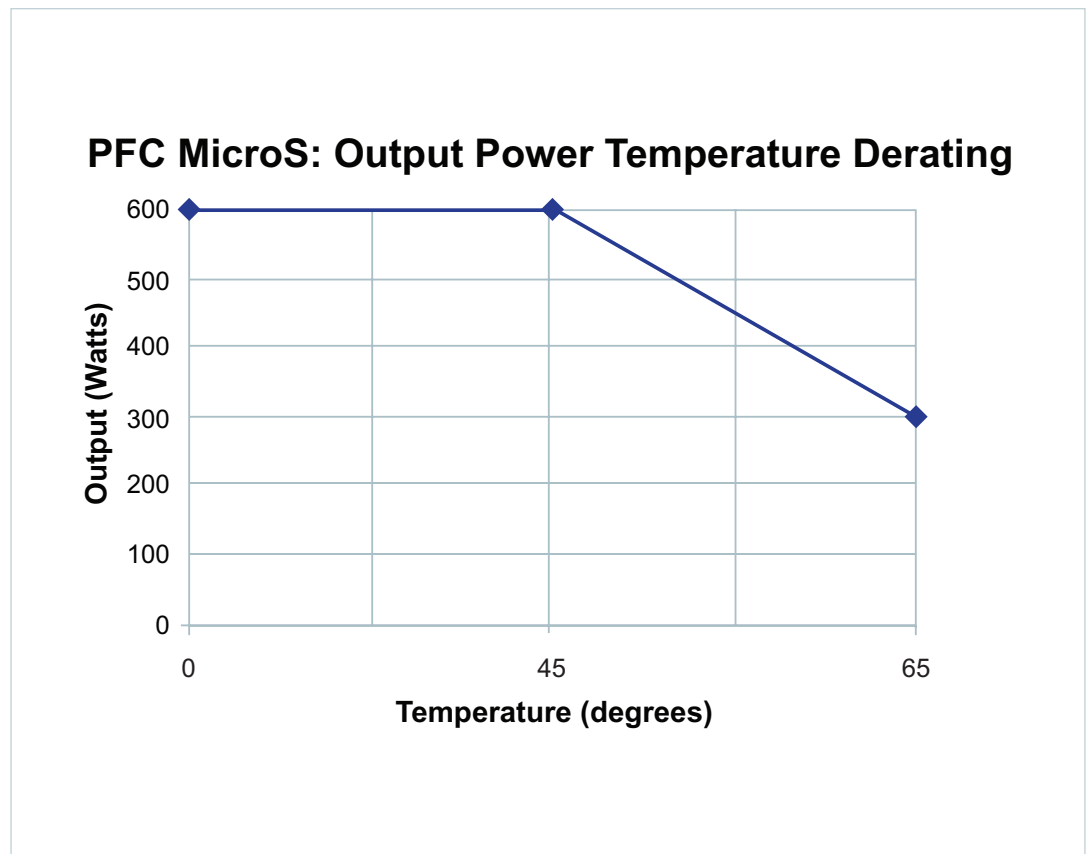


Figure 11.  
PFC Micro Output Power  
Temperature Derating



1. For all module configurations. The PFC MicroS or an individual output may be limited by module power limitations e.g. 5 V Maxi module is 400 W maximum. One cannot exceed the output power rating of the PFC MicroS regardless of the module capability.
2. Also see Output Power vs Input Voltage charts on Page 18.

## Current Share Boards - Optional Feature

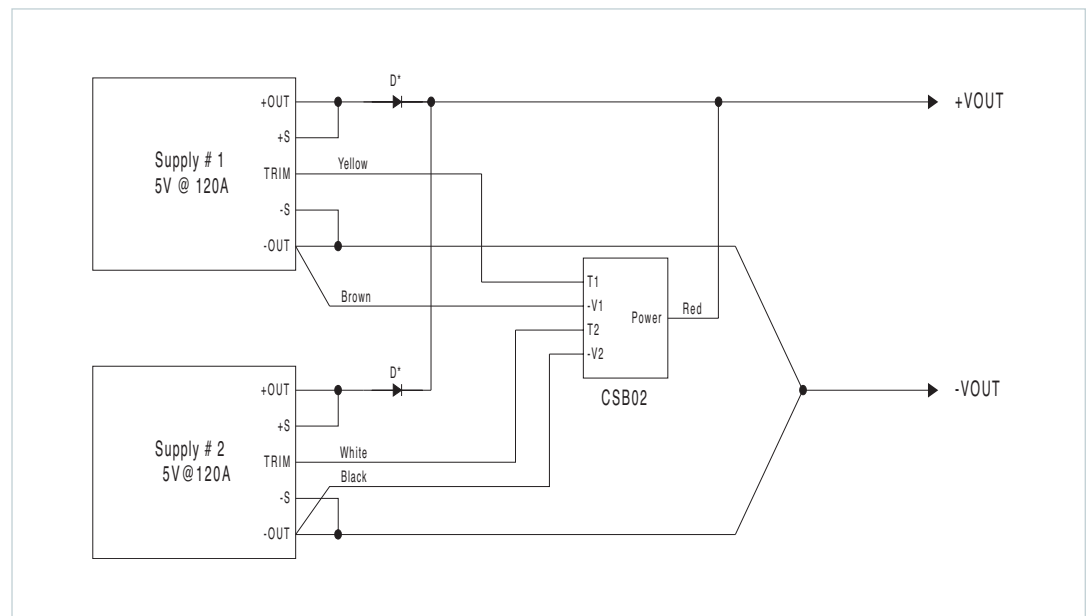
"Current sharing" also known as Load Sharing, is the ability to divide the output current evenly across all active power supplies. This greatly reduces stresses on each power supply and allows them to run cooler, resulting in higher reliability. Standard "current sharing" techniques typically utilize shunt resistors or Hall Effect devices to measure the current from each power supply. Power shunt resistors continually dissipate power and require cooling especially when dealing with high output currents of >100 Amps. Hall Effect devices measure magnetic fields generated by current flowing through a conductor and, although they dissipate no power, they tend to be large and expensive.

First developed by Vicor Engineering for paralleling MegaPAC supplies, the Box-to-Box Current Share Board or CSB allows two or more Vicor power supplies to current share by utilizing the inherent voltage drop produced in the negative output return cable. This eliminates the need for additional shunt resistors or expensive Hall Effect devices and provides a simple 5 wire connection method to achieve a +/-1 mV accuracy between the Negative Output power rails. This accuracy translates to a 1% current sharing if there is a total of 100 mV conduction voltage drop in the negative return path.

Constructed as a current source to drive the Trim pin of a Vicor module, the design uses an accurate comparator circuit to monitor the power returns. In addition, the circuit is unidirectional and can only trim an output voltage up. The benefit is that only the supply that is supporting less current is adjusted up. This action balances the currents to the load by matching the output voltages of the supplies. In the case of one supply failing, the circuit will attempt to trim the failed supply only. This will leave the remaining functional supply alone to provide power to the load at its nominal voltage. Thus the circuit also offers simple redundancy. In addition, because CSB functions as a current source, the Trim outputs (T1 and T2) of the CSB can be placed in parallel to create a summing node. This allows current sharing between more than two supplies by paralleling the T2 output of one CSB circuit with the T1 output of the next CSB.

**Please Note:** The CSB is not intended for use in Hot-swap Applications.

Figure 12.  
CSB Interconnect Example



---

## Current Share Boards - Optional Feature (Cont.)

### Requirements:

1. For proper operation, the power supplies being paralleled should be enabled at the same time.
2. –Out conductors must be of equal length and wire gauge. Separate –Out conductors must be used from each supply to the load, or the use of a "Y" connection to a common point must be used as shown in Figure 12. Each leg of the "Y" must have a minimum of a few millivolts of drop in order for proper operation. 50 mV to 100 mV of drop will provide from 5% to 1% accuracy.
3. –V1 and –V2 for all Box-to-Box circuits must be connected directly at the negative output power studs or terminals to achieve accurate current sharing.
4. D\* can be added if redundancy is needed. If redundancy is not required, D\* can be replaced with direct wire connections.
5. When using D\*, the Power input should be connected on the cathode side of the paralleling diodes as shown above.
6. Terminate Sense Leads either locally or remotely as shown in Figure 12.
7. For paralleling more than two supplies, consult factory for assistance.

## Current Share Boards - Optional Feature (Cont.)

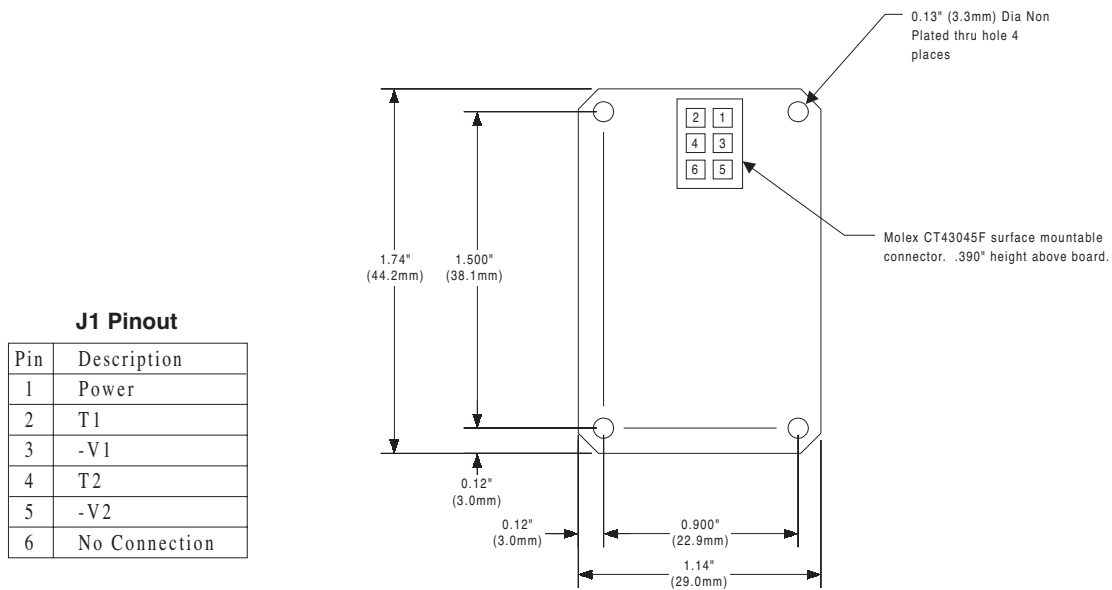


Figure 13. Mechanical Drawing

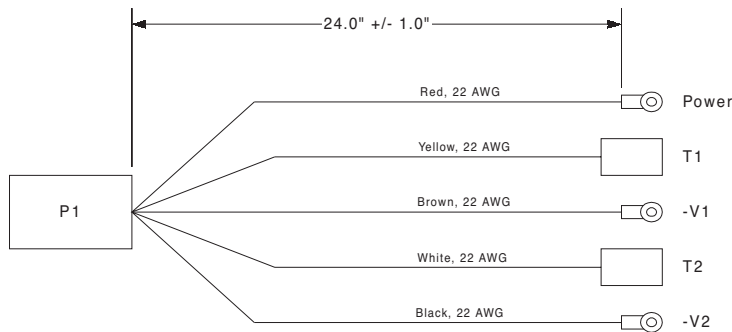


Figure 14. Cable Drawing

### Specifications:

1. Power: 2 - 50 Vdc at 5 mA maximum.
2. Accuracy: +/- 1 mV between  $-V_{OUT}$  connections.
3. Output current when not trimming up: +/- 1  $\mu$ A (VI-200/J00), +/- 5  $\mu$ A (Maxi/Mini/Micro).
4. Use 4 non-plated through holes with standoffs for mounting.
5. CSB01 MUST be used for current sharing VI-200/VI-J00 converters.
6. CSB02 MUST be used for current sharing Maxi/Mini/Micro converters.

PLEASE NOTE, THE CSB IS NOT INTENDED FOR HOT-SWAP APPLICATIONS

Contact your Regional Applications Engineer at 1-800-927-9474 for additional information.

---

**NOTES:**



---

**For Vicor Global Office Locations**, please go to: [www.vicorpower.com/contact-us](http://www.vicorpower.com/contact-us)  
or call 800-735-6200.

**For more information** about this or other Vicor products, or for assistance with component-based power system design, contact the Vicor office nearest you. Vicor's comprehensive line of power solutions includes modular, high-density DC-DC converters and accessory components, configurable power supplies, and custom power systems. Vicor designs and builds configurable power supplies incorporating high density DC-DC converters and accessory components.

**This product line includes:**

**LoPAC FAMILY:**

- PFC MicroS
- PFC Micro
- PFC Mini

**MegaPAC FAMILY:**

- PFC MegaPAC
- 4kW MegaPAC
- PFC MegaPAC (High Power)
- PFC MegaPAC-EL
- Mini MegaPAC
- ConverterPACs

**OTHERS:**

- FlatPAC-EN

Rugged COTS versions (MI) are available for the PFC Micro, PFC MicroS, PFC Mini and PFC MegaPAC.

INFORMATION FURNISHED BY VICOR IS BELIEVED TO BE ACCURATE AND RELIABLE. HOWEVER, NO RESPONSIBILITY IS ASSUMED BY VICOR FOR ITS USE. NO LICENSE IS GRANTED BY IMPLICATION OR OTHERWISE UNDER ANY PATENT OR PATENT RIGHTS OF VICOR. VICOR COMPONENTS ARE NOT DESIGNED TO BE USED IN APPLICATIONS, SUCH AS LIFE SUPPORT SYSTEMS, WHEREIN A FAILURE OR MALFUNCTION COULD RESULT IN INJURY OR DEATH. ALL SALES ARE SUBJECT TO VICOR'S TERMS AND CONDITIONS OF SALE, WHICH ARE AVAILABLE UPON REQUEST.

SPECIFICATIONS ARE SUBJECT TO CHANGE WITHOUT NOTICE. THE LATEST DATA IS AVAILABLE ON THE VICOR WEBSITE AT [VICORPOWER.COM](http://VICORPOWER.COM)

*The Power Behind Performance*