



Chipsmall Limited consists of a professional team with an average of over 10 year of expertise in the distribution of electronic components. Based in Hongkong, we have already established firm and mutual-benefit business relationships with customers from,Europe,America and south Asia,supplying obsolete and hard-to-find components to meet their specific needs.

With the principle of “Quality Parts,Customers Priority,Honest Operation,and Considerate Service”,our business mainly focus on the distribution of electronic components. Line cards we deal with include Microchip,ALPS,ROHM,Xilinx,Pulse,ON,Everlight and Freescale. Main products comprise IC,Modules,Potentiometer,IC Socket,Relay,Connector.Our parts cover such applications as commercial,industrial, and automotives areas.

We are looking forward to setting up business relationship with you and hope to provide you with the best service and solution. Let us make a better world for our industry!



Contact us

Tel: +86-755-8981 8866 Fax: +86-755-8427 6832

Email & Skype: info@chipsmall.com Web: www.chipsmall.com

Address: A1208, Overseas Decoration Building, #122 Zhenhua RD., Futian, Shenzhen, China





PHOTOCOUPLER

PS2832-1,-4,PS2833-1,-4

HIGH COLLECTOR TO EMITTER VOLTAGE 4, 16-PIN SOP PHOTOCOUPLER

–NEPOC Series–

DESCRIPTION

The PS2832-1, -4 and PS2833-1, -4 are optically coupled isolators containing a GaAs light emitting diode and an NPN silicon darlington-connected phototransistor.

The package is an SOP (Small Outline Package) type for high density mounting applications.

FEATURES

- High collector to emitter voltage ($V_{CEO} = 300\text{ V}$: PS2832-1, -4)
($V_{CEO} = 350\text{ V}$: PS2833-1, -4)
- Small and thin package (4, 16-pin SOP, Pin pitch 1.27 mm)
- High isolation voltage ($BV = 2\ 500\text{ Vr.m.s.}$)
- High current transfer ratio ($CTR = 2\ 000\ \% \text{ TYP.}$)
- Ordering number of tape product: PS2832-1-F3, F4, PS2832-4-F3, F4
PS2833-1-F3, F4, PS2833-4-F3, F4
- Safety standards: PS2832-1, -4
 - UL approved: File No. E72422 (S)
 - BSI approved: No. 8315, 8316
 - VDE0884 approved (Option)PS2833-1, -4
 - UL approved: File No. E72422 (S)

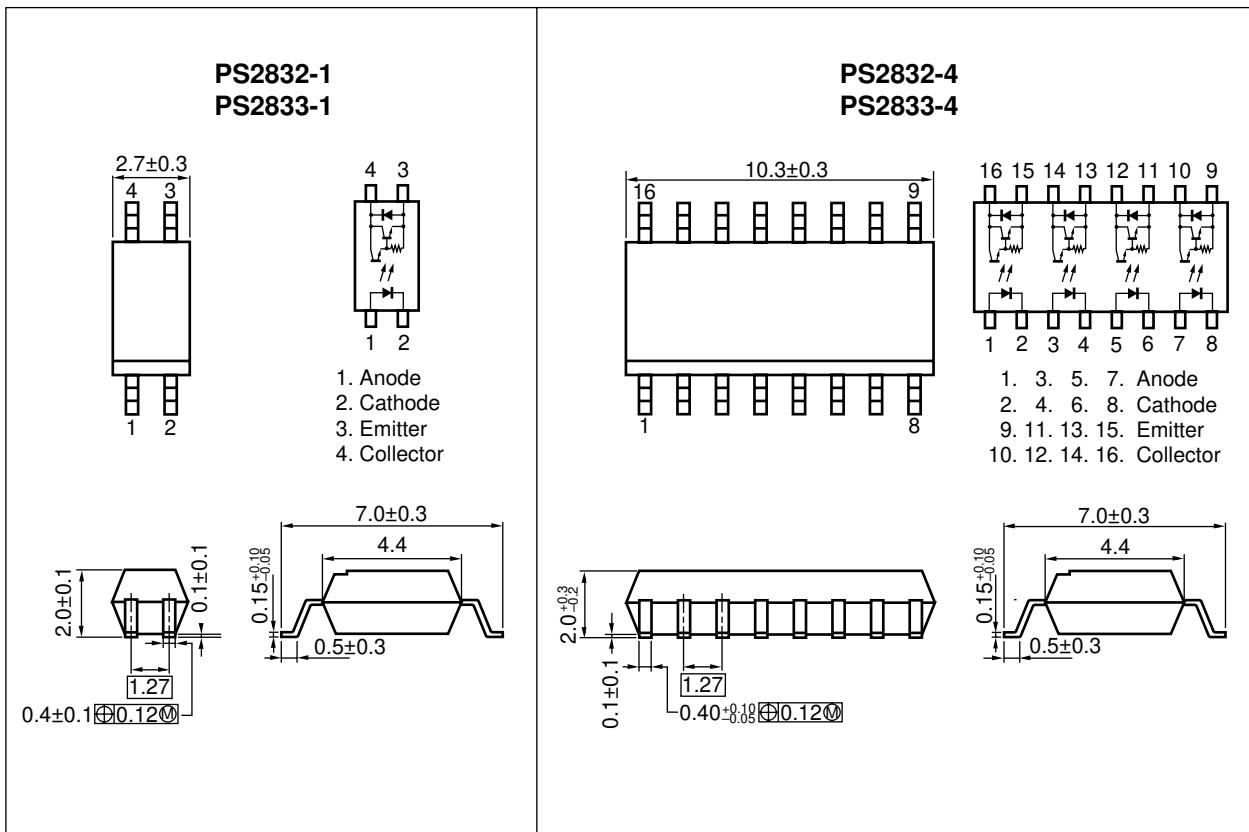
★

APPLICATIONS

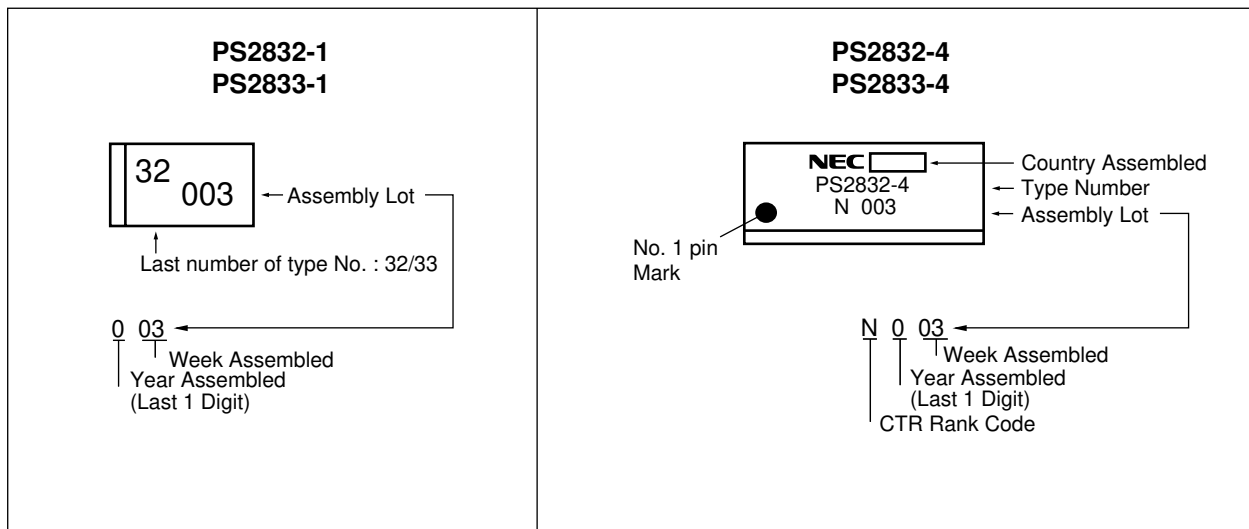
- Hybrid IC
- Telephone/Telegraph Receiver
- FAX

The information in this document is subject to change without notice. Before using this document, please confirm that this is the latest version.

★ PACKAGE DIMENSIONS (UNIT: mm)



MARKING



ORDERING INFORMATION (Solder Contains Lead)

Part Number	Package	Packing Style	Safety Standards Approval	Application Part Number ^{*1}	
PS2832-1	4-pin SOP	50 pcs (Tape 50 pcs cut)	Approved products other than VDE	PS2832-1	
PS2832-1-F3		Embossed Tape 3 500 pcs/reel			
PS2832-1-F4					
PS2832-4	16-pin SOP	Magazine Case 45 pcs		VDE0884 approved (Option)	PS2832-4
PS2832-4-F3		Embossed Tape 2 500 pcs/reel			
PS2832-4-F4					
PS2832-1-V	4-pin SOP	50 pcs (Tape 50 pcs cut)	VDE0884 approved (Option)		PS2832-1
PS2832-1-V-F3		Embossed Tape 3 500 pcs/reel			
PS2832-1-V-F4					
PS2832-4-V	16-pin SOP	Magazine Case 45 pcs		VDE0884 approved (Option)	PS2832-4
PS2832-4-V-F3		Embossed Tape 2 500 pcs/reel			
PS2832-4-V-F4					
PS2833-1	4-pin SOP	50 pcs (Tape 50 pcs cut)	Approved products other than VDE		PS2833-1
PS2833-1-F3		Embossed Tape 3 500 pcs/reel			
PS2833-1-F4					
PS2833-4	16-pin SOP	Magazine Case 45 pcs		Approved products other than VDE	PS2833-4
PS2833-4-F3		Embossed Tape 2 500 pcs/reel			
PS2833-4-F4					

*1 For the application of the Safety Standard, following part number should be used.

ORDERING INFORMATION (Pb-Free)

Part Number	Package	Packing Style	Safety Standards Approval	Application Part Number ^{*1}	
PS2832-1-A	4-pin SOP	50 pcs (Tape 50 pcs cut)	Approved products other than VDE	PS2832-1	
PS2832-1-F3-A		Embossed Tape 3 500 pcs/reel			
PS2832-1-F4-A					
PS2832-4-A	16-pin SOP	Magazine Case 45 pcs		VDE0884 approved (Option)	PS2832-4
PS2832-4-F3-A		Embossed Tape 2 500 pcs/reel			
PS2832-4-F4-A					
PS2832-1-V-A	4-pin SOP	50 pcs (Tape 50 pcs cut)	VDE0884 approved (Option)		PS2832-1
PS2832-1-V-F3-A		Embossed Tape 3 500 pcs/reel			
PS2832-1-V-F4-A					
PS2832-4-V-A	16-pin SOP	Magazine Case 45 pcs		VDE0884 approved (Option)	PS2832-4
PS2832-4-V-F3-A		Embossed Tape 2 500 pcs/reel			
PS2832-4-V-F4-A					
PS2833-1-A	4-pin SOP	50 pcs (Tape 50 pcs cut)	Approved products other than VDE		PS2833-1
PS2833-1-F3-A		Embossed Tape 3 500 pcs/reel			
PS2833-1-F4-A					
PS2833-4-A	16-pin SOP	Magazine Case 45 pcs		Approved products other than VDE	PS2833-4
PS2833-4-F3-A		Embossed Tape 2 500 pcs/reel			
PS2833-4-F4-A					

*1 For the application of the Safety Standard, following part number should be used.

ABSOLUTE MAXIMUM RATINGS (T_A = 25 °C, unless otherwise specified)

Parameter		Symbol	Ratings				Unit
			PS2832-1	PS2833-1	PS2832-4	PS2833-4	
Diode	Forward Current (DC)	I _F	50				mA
	Reverse Voltage	V _R	6				V
	Power Dissipation Derating	ΔP _D /°C	0.6		0.8		mW/°C
	Power Dissipation	P _D	60		80		mW/ch
	Peak Forward Current ^{*1}	I _{FP}	1				A
Transistor	Collector to Emitter Voltage	V _{CEO}	300	350	300	350	V
	Emitter to Collector Voltage	V _{ECO}	0.3				V
	Collector Current	I _C	60				mA/ch
	Power Dissipation Derating	ΔP _C /°C	1.2				mW/°C
	Power Dissipation	P _C	120				mW/ch
Isolation Voltage ^{*2}		BV	2 500				Vr.m.s.
Operating Ambient Temperature		T _A	-55 to +100				°C
Storage Temperature		T _{stg}	-55 to +150				°C

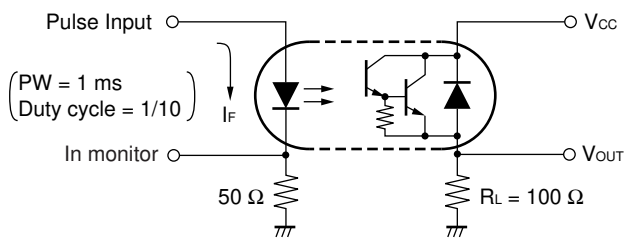
*1 PW = 100 μs, Duty Cycle = 1 %

*2 AC voltage for 1 minute at T_A = 25 °C, RH = 60 % between input and output

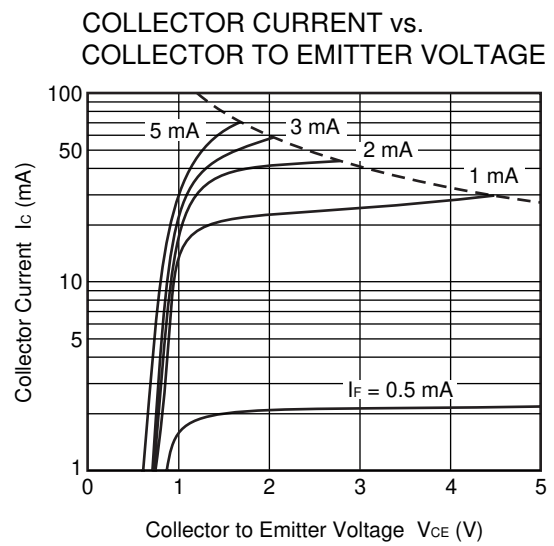
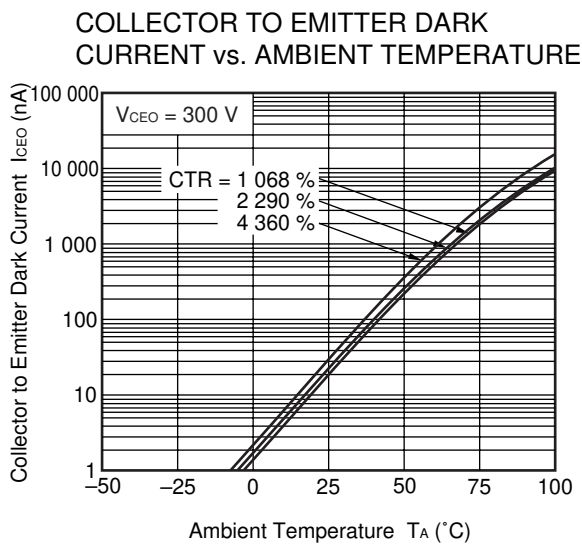
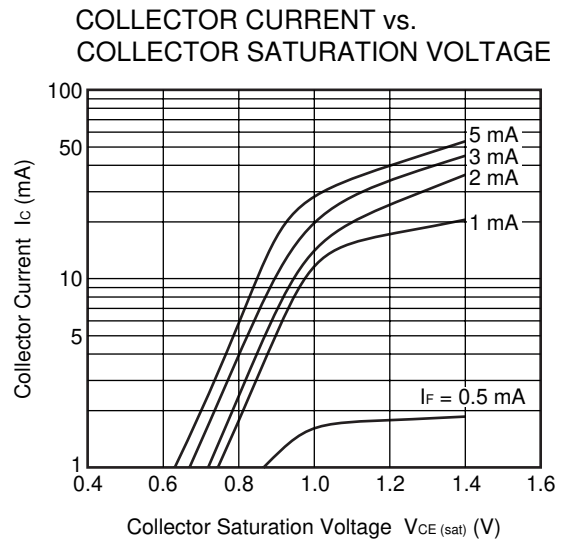
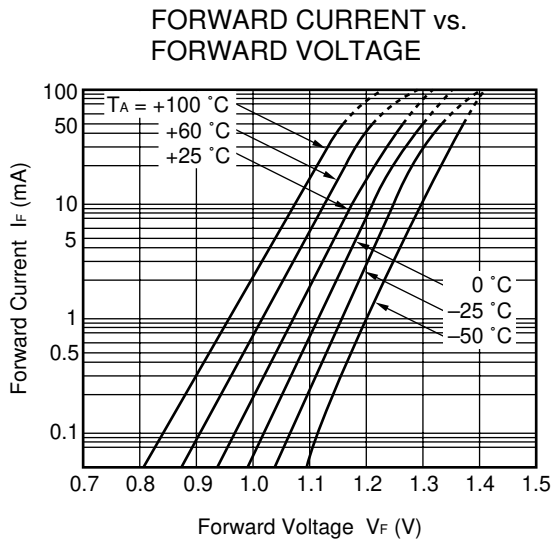
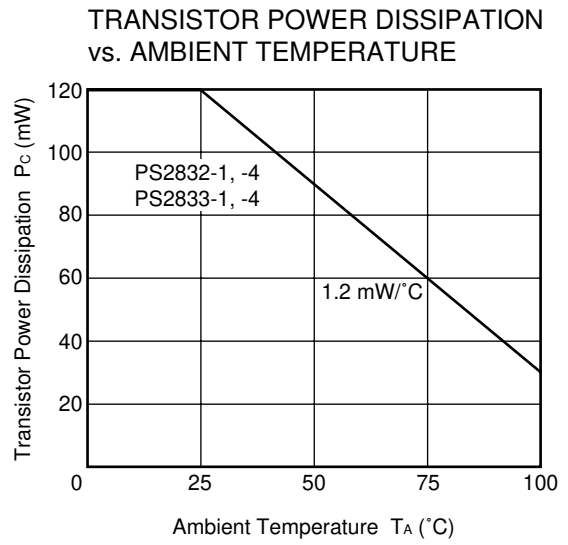
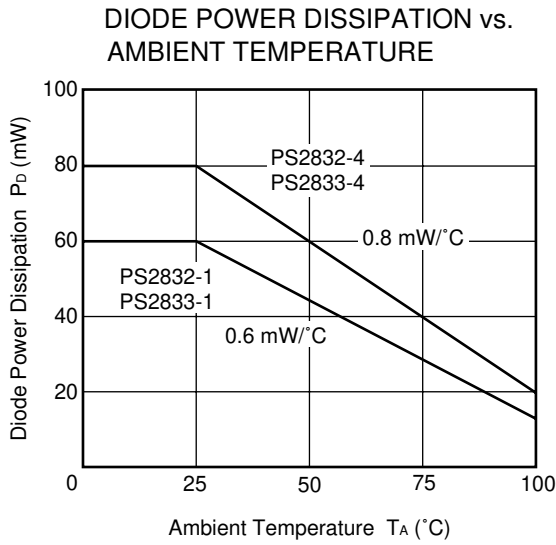
ELECTRICAL CHARACTERISTICS (T_A = 25 °C)

Parameter		Symbol	Conditions	MIN.	TYP.	MAX.	Unit
Diode	Forward Voltage	V _F	I _F = 10 mA		1.2	1.4	V
	Reverse Current	I _R	V _R = 5 V			5	μA
	Terminal Capacitance	C _t	V = 0 V, f = 1 MHz		15		pF
Transistor	Collector to Emitter Dark Current	I _{CEO}	I _F = 0 mA, V _{CE} = 300 V			400	nA
Coupled	Current Transfer Ratio (I _c /I _F)	CTR	I _F = 1 mA, V _{CE} = 2 V	400	2 000	4 500	%
	Collector Saturation Voltage	V _{CE(sat)}	I _F = 1 mA, I _c = 2 mA			1.0	V
	Isolation Resistance	R _{I-O}	V _{I-O} = 1 kV _{DC}	10 ¹¹			Ω
	Isolation Capacitance	C _{I-O}	V = 0 V, f = 1 MHz		0.4		pF
	Rise Time ^{*1}	t _r	V _{CC} = 5 V, I _c = 10 mA, R _L = 100 Ω		20		μs
	Fall Time ^{*1}	t _f			5		

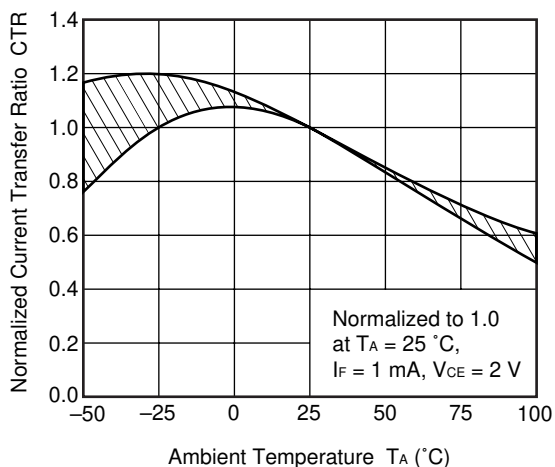
***1 Test circuit for switching time**



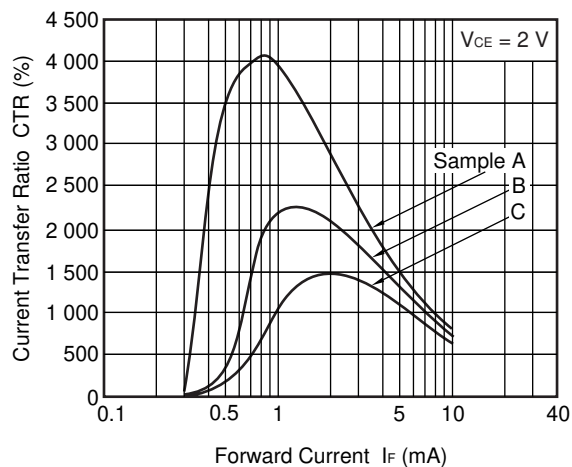
TYPICAL CHARACTERISTICS (T_A = 25 °C, unless otherwise specified)



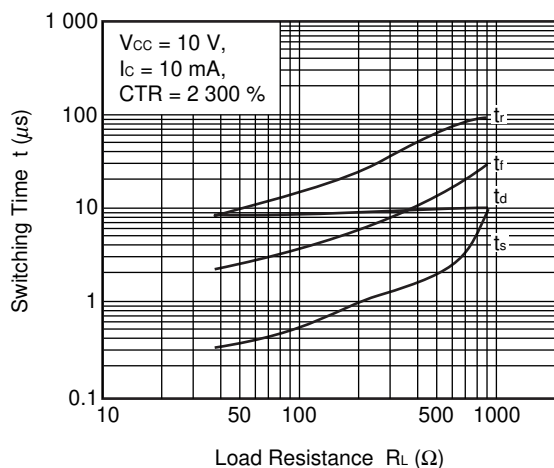
NORMALIZED CURRENT TRANSFER RATIO vs. AMBIENT TEMPERATURE



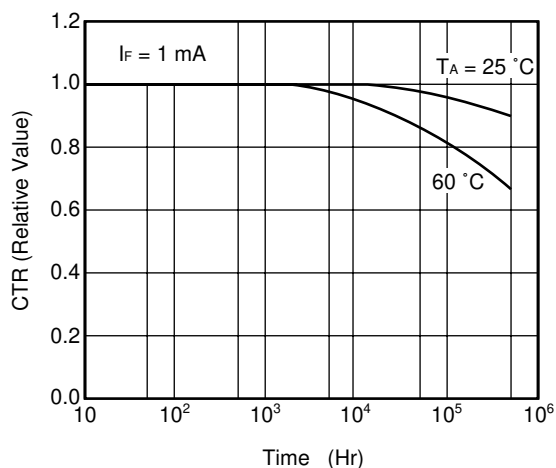
CURRENT TRANSFER RATIO vs. FORWARD CURRENT



SWITCHING TIME vs. LOAD RESISTANCE



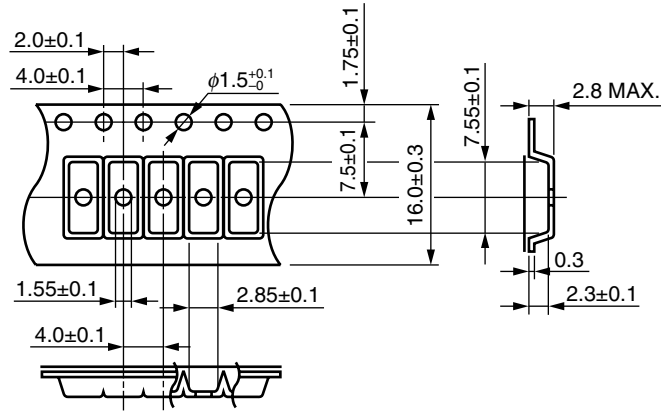
LONG TERM CTR DEGRADATION



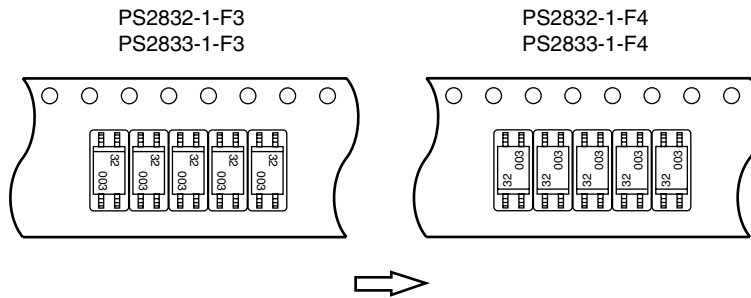
Remark The graphs indicate nominal characteristics.

★ TAPING SPECIFICATIONS (UNIT: mm)

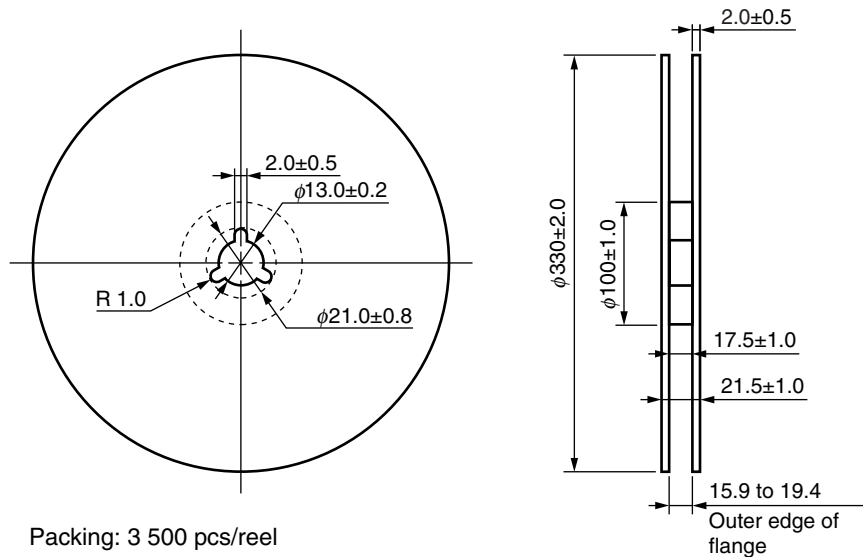
Outline and Dimensions (Tape)



Tape Direction

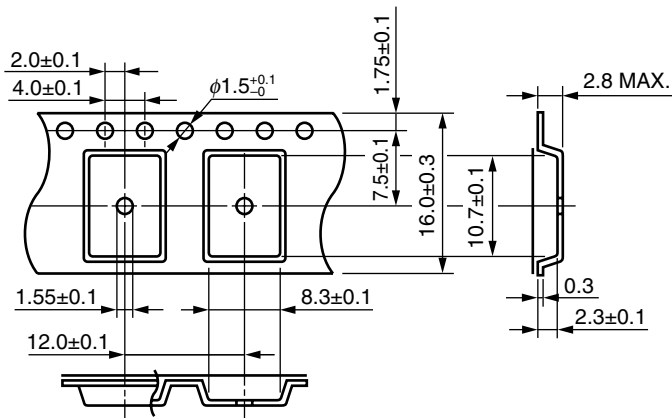


Outline and Dimensions (Reel)

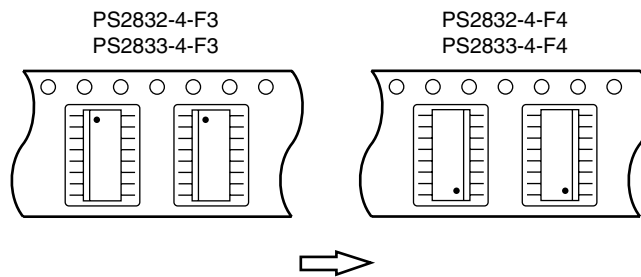


Packing: 3 500 pcs/reel

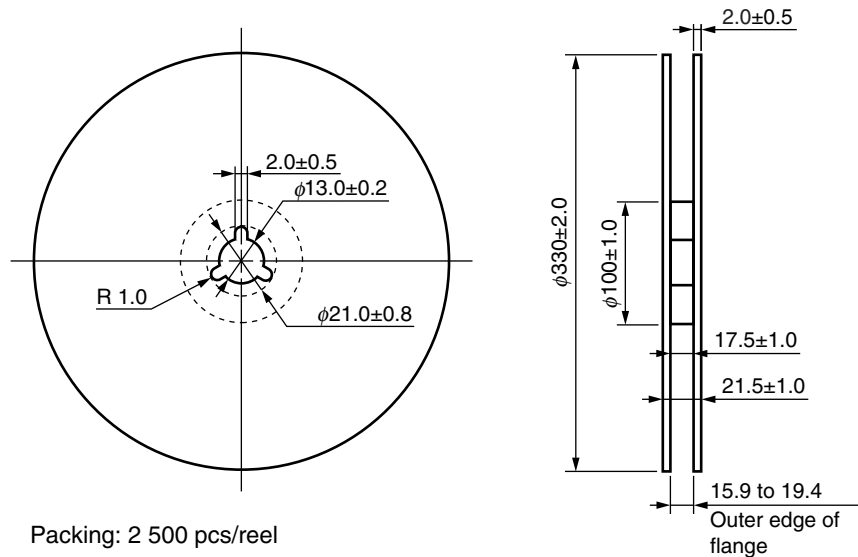
Outline and Dimensions (Tape)



Tape Direction



Outline and Dimensions (Reel)



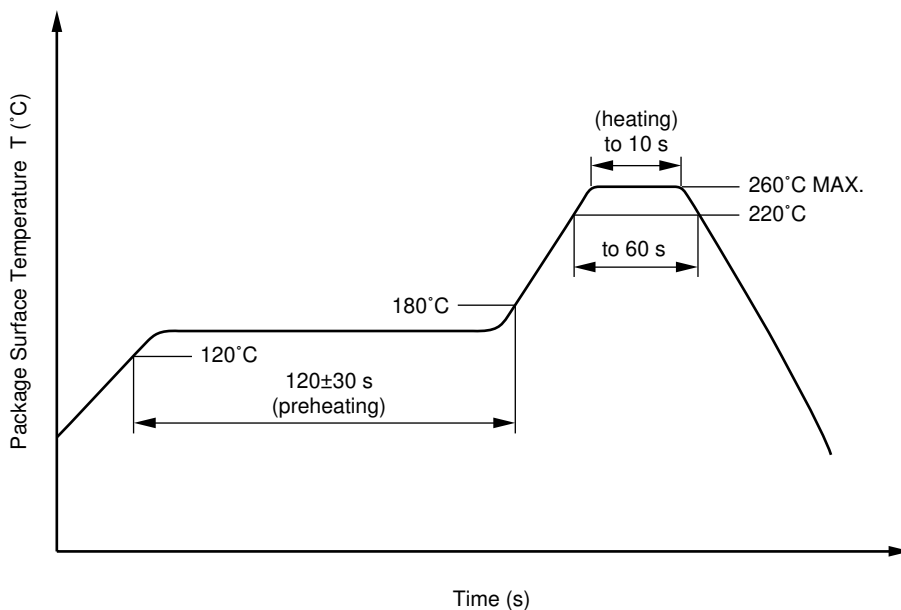
★ NOTES ON HANDLING

1. Recommended soldering conditions

(1) Infrared reflow soldering

- Peak reflow temperature 260°C or below (package surface temperature)
- Time of peak reflow temperature 10 seconds or less
- Time of temperature higher than 220°C 60 seconds or less
- Time to preheat temperature from 120 to 180°C 120±30 s
- Number of reflows Three
- Flux Rosin flux containing small amount of chlorine (The flux with a maximum chlorine content of 0.2 Wt% is recommended.)

Recommended Temperature Profile of Infrared Reflow



(2) Wave soldering

- Temperature 260°C or below (molten solder temperature)
- Time 10 seconds or less
- Preheating conditions 120°C or below (package surface temperature)
- Number of times One (Allowed to be dipped in solder including plastic mold portion.)
- Flux Rosin flux containing small amount of chlorine (The flux with a maximum chlorine content of 0.2 Wt% is recommended.)

(3) Cautions

- Fluxes
Avoid removing the residual flux with freon-based and chlorine-based cleaning solvent.

2. Cautions regarding noise

Be aware that when voltage is applied suddenly between the photocoupler's input and output or between collector-emitters at startup, the output side may enter the on state, even if the voltage is within the absolute maximum ratings.

★ **USAGE CAUTIONS**

1. Protect against static electricity when handling.
2. Avoid storage at a high temperature and high humidity.

Subject: Compliance with EU Directives

CEL certifies, to its knowledge, that semiconductor and laser products detailed below are compliant with the requirements of European Union (EU) Directive 2002/95/EC Restriction on Use of Hazardous Substances in electrical and electronic equipment (RoHS) and the requirements of EU Directive 2003/11/EC Restriction on Penta and Octa BDE.

CEL Pb-free products have the same base part number with a suffix added. The suffix –A indicates that the device is Pb-free. The –AZ suffix is used to designate devices containing Pb which are exempted from the requirement of RoHS directive (*). In all cases the devices have Pb-free terminals. All devices with these suffixes meet the requirements of the RoHS directive.

This status is based on CEL’s understanding of the EU Directives and knowledge of the materials that go into its products as of the date of disclosure of this information.

Restricted Substance per RoHS	Concentration Limit per RoHS (values are not yet fixed)	Concentration contained in CEL devices	
		-A	-AZ
Lead (Pb)	< 1000 PPM	Not Detected	(*)
Mercury	< 1000 PPM	Not Detected	
Cadmium	< 100 PPM	Not Detected	
Hexavalent Chromium	< 1000 PPM	Not Detected	
PBB	< 1000 PPM	Not Detected	
PBDE	< 1000 PPM	Not Detected	

If you should have any additional questions regarding our devices and compliance to environmental standards, please do not hesitate to contact your local representative.

Important Information and Disclaimer: Information provided by CEL on its website or in other communications concerning the substance content of its products represents knowledge and belief as of the date that it is provided. CEL bases its knowledge and belief on information provided by third parties and makes no representation or warranty as to the accuracy of such information. Efforts are underway to better integrate information from third parties. CEL has taken and continues to take reasonable steps to provide representative and accurate information but may not have conducted destructive testing or chemical analysis on incoming materials and chemicals. CEL and CEL suppliers consider certain information to be proprietary, and thus CAS numbers and other limited information may not be available for release.

In no event shall CEL’s liability arising out of such information exceed the total purchase price of the CEL part(s) at issue sold by CEL to customer on an annual basis.

See CEL Terms and Conditions for additional clarification of warranties and liability.