



Chipsmall Limited consists of a professional team with an average of over 10 year of expertise in the distribution of electronic components. Based in Hongkong, we have already established firm and mutual-benefit business relationships with customers from,Europe,America and south Asia,supplying obsolete and hard-to-find components to meet their specific needs.

With the principle of “Quality Parts,Customers Priority,Honest Operation,and Considerate Service”,our business mainly focus on the distribution of electronic components. Line cards we deal with include Microchip,ALPS,ROHM,Xilinx,Pulse,ON,Everlight and Freescale. Main products comprise IC,Modules,Potentiometer,IC Socket,Relay,Connector.Our parts cover such applications as commercial,industrial, and automotives areas.

We are looking forward to setting up business relationship with you and hope to provide you with the best service and solution. Let us make a better world for our industry!



## Contact us

Tel: +86-755-8981 8866 Fax: +86-755-8427 6832

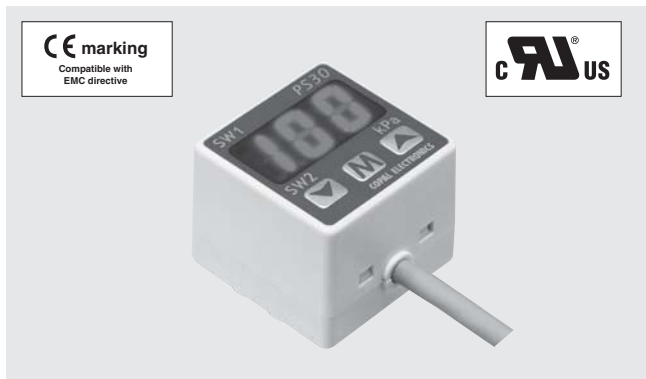
Email & Skype: info@chipsmall.com Web: www.chipsmall.com

Address: A1208, Overseas Decoration Building, #122 Zhenhua RD., Futian, Shenzhen, China



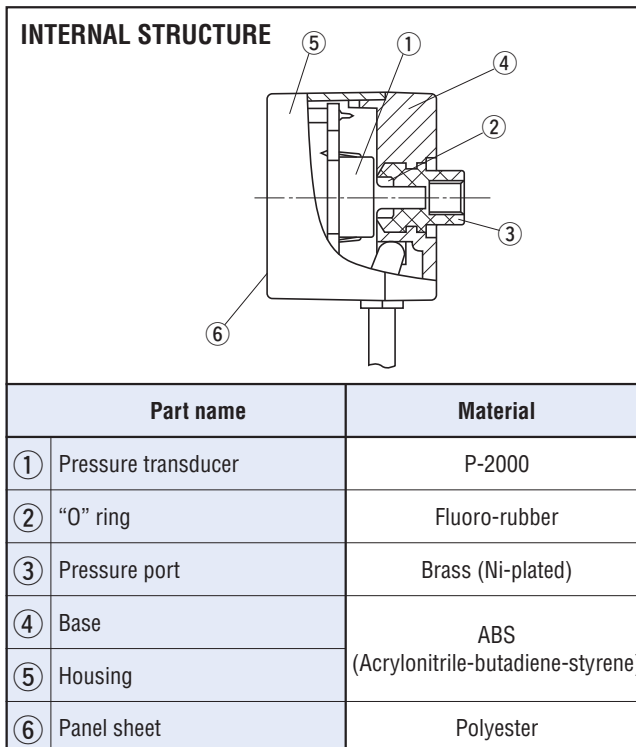
# PRESSURE SWITCHES WITH GAUGE

# PS30



## FEATURES

- Optimum for pneumatic equipment and semiconductor manufacturing equipment
- Larger size display and high luminance LED for best visibility
- Eight switch output modes
- Low consumption by nondisplay mode



## MODEL NUMBER DESIGNATION

P S 30 - 102 R - N

Series name

Rated pressure range

102R : -100 ~ 100 kPa

103R : -0.1 MPa ~ 1.00 MPa

Switch output interface

N : NPN open collector

P : PNP open collector

## LIST OF MODEL NUMBERS

Switch output interface	Pressure reference	Gauge	
	Rated pressure range	-100 ~ 100 kPa	-100 ~ 1000 kPa
NPN		PS30-102R-N	PS30-103R-N
PNP		PS30-102R-P	PS30-103R-P

※ Please refer to the LIST OF MODEL NUMBERS when placing orders.

# PS30

## PRESSURE SWITCHES WITH GAUGE

### STANDARD SPECIFICATIONS

● Unless otherwise specified, the specs are defined at an ambient temperature of  $25 \pm 5$  °C and excitation voltage of 24 V DC.

Item		Model number	PS30	
			102R	103R
General specifications	Pressure reference		Gauge	
	Rated pressure range	kPa	- 100 ~ 100	- 100 ~ 1000
	Maximum pressure	kPa	200	1500
	Break-down pressure	kPa	500	2000
	Operating temp. range	°C	- 10 ~ 50	
	Compensated temp. range	°C	0 ~ 50	
	Thermal error		$\pm 3$ %F.S. (0 ~ 50 °C)	
	Operating humidity	%RH	35 ~ 85 (No condensation)	
	Storage temp.	°C	- 20 ~ 70 (Atmospheric pressure, humidity 65 %RH maximum)	
	Pressure medium		Non-corrosive gases	
	Insulation resistance	M $\Omega$ minimum	100 (DC 500 V)	
	Dielectric strength		500 V AC, 60 s (Leakage current 1 mA maximum)	
	Pressure port		M5 female screw, "O" ring groove (P8)	
	Net weight	g	Approx. 60 (Including 1.5 m cable)	
Power	Supply voltage	V DC	12 ~ 24 V $\pm 10$ % (Including ripple voltage)	
	Consumption current	mA maximum	40	
Display	Display element		LED (2 and 1/2 digit)	
	Rated display range	kPa	- 100 ~ 100	_____
		MPa	_____	- 0.10 ~ 1.00
	Display accuracy		$\pm 1$ %F.S.	
Resolution		1 count		
Switch output	No. of outputs		2	
	Output interface		Open collector output (NPN or PNP)	
	Display		Output 1 (SW1), Output 2 (SW2) Light on when output is ON.	
	Repeatability	%F.S.	$\pm 0.3$ maximum	
	Switch hysteresis		0 ~ 30 counts (Adjustable)	
	Switching capacity		30 V DC 100 mA maximum Short-circuit protection	
	Residual voltage	V maximum	1.2 V (NPN), 2.2 V (PNP)	
Response	ms	Approx 5, 25, 250 (Adjustable)		

### ENVIRONMENTAL CHARACTERISTICS

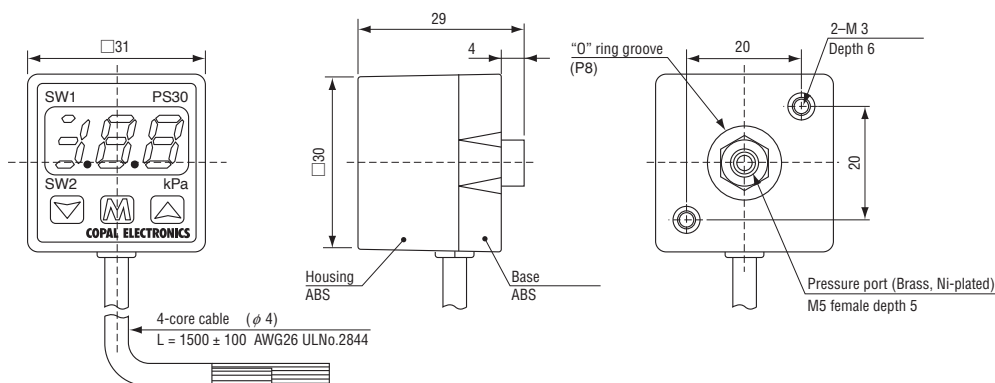
Test item	Test conditions	Permissible change
Vibration	10 ~ 500 Hz, 98.1 m/s <sup>2</sup> or 1.5 mm P-P, 3 directions for 2 hours each	$\pm 2$ %F.S. maximum after test ※1
Shock	490 m/s <sup>2</sup> , 3 directions for 3 times each	
Pressure cycling	0 ~ Rated pressure, 10 <sup>6</sup> cycles	
Moisture resistance	40 °C, 90 ~ 95 %RH, 240 hrs.	
EMC	EMI : EN55011: 2007, A2 : 2007 Group 1, class B EMS : EN61326-1 : 2006 Table 2	Switch operating pressure : $\pm 5$ %F.S., maximum during tset ※1

※ 1 Change in the pressure indication, switch operating points.

# PS30 PRESSURE SWITCHES WITH GAUGE

## OUTLINE DIMENSIONS

Unless otherwise specified, tolerance :  $\pm 0.5$  (Unit : mm)

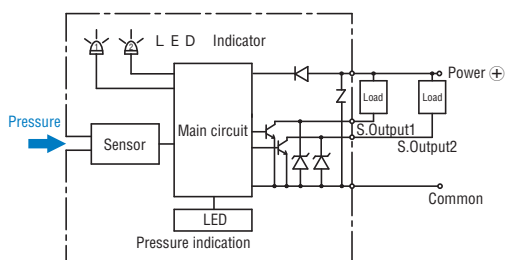


### PS30

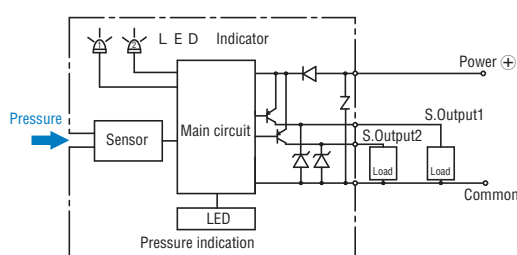
Wire color	Connection
Brown	Power ⊕
Black	Switch output 1
White	Switch output 2
Blue	Common

## INTERNAL ELECTRICAL SCHEMATICS

### ● NPN



### ● PNP



## SELECTION OF DISPLAY MULTIPLIER

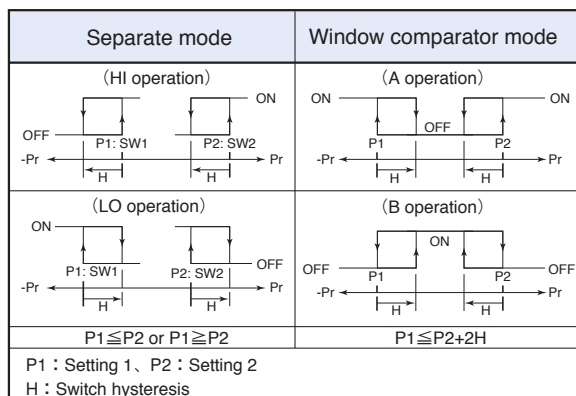
Please refer to the right list.

(Note) Diagonal column : No unit can be selected due to resolution and number of digits.

Selection number	102R		103R	
	Display multiplier	Display range	Display multiplier	Display range
0	×1	-100 ~ 100	/	/
1	/	/	×1	-0.10 ~ 1.00
2	×0.75	-75 ~ 75	/	/
3	×0.01	-1.00 ~ 1.00	×10	-1.0 ~ 10.0
4	×0.145	-14.5 ~ 14.5	×145	-14 ~ 145

## SWITCH OUTPUT MODE

Output	SW 1				SW 2			
	Separate		Window comparator		Separate		Window comparator	
	HI	LO	A	B	HI	LO	A	B
Selection number	0	○					○	
	1	○						○
	2		○				○	
	3		○					○
	4			○				○
	5			○				○
	6				○			○
	7				○			○
	Setting 1 Note 1		Lower limit : Setting 1 Upper limit : Setting 1 Note 2		Setting 1 Note 1		Lower limit : Setting 1 Upper limit : Setting 1 Note 2	



(Note 1) In the Separate Mode, setting 1 corresponds to SW1, and Setting 2 corresponds to SW2.

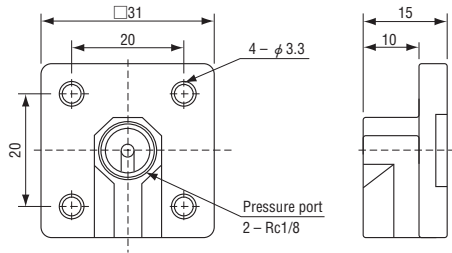
(Note 2) In the Window Comparator Mode, the minimum value for SW1 and SW2 corresponds to Setting 1 and the maximum value corresponds to Setting 2.

# PS30

## PRESSURE SWITCHES WITH GAUGE

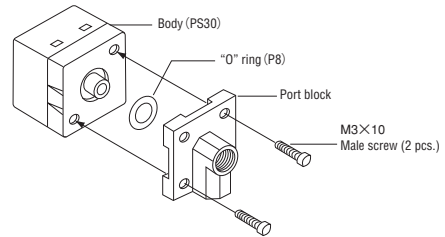
### ■ HOW TO MOUNT OPTIONAL ACCESSORIES (Sold separately)

#### ● Port block

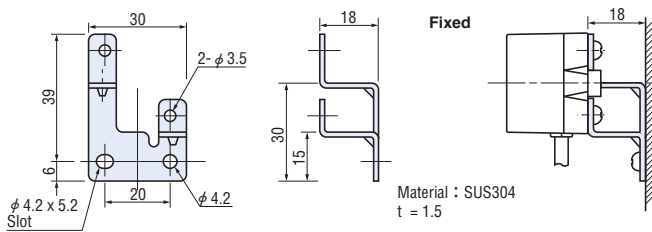


Material : Zink die-casting / nickel plate

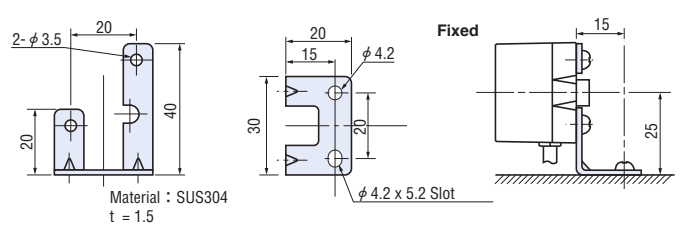
#### ● How to mount port block



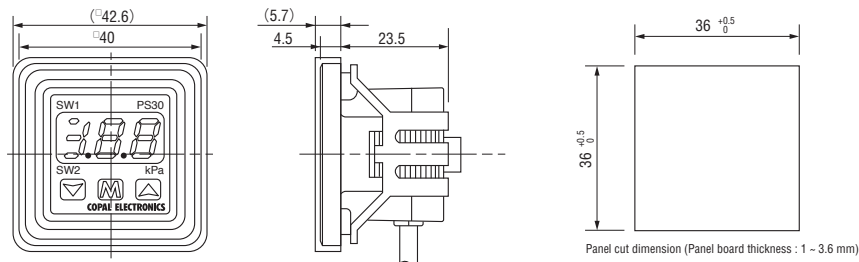
#### ● Rear panel mounting bracket



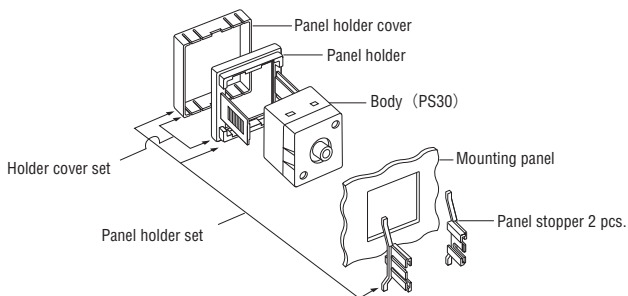
#### ● Panel mounting bracket



#### ● Panel mounting bracket (Option)



#### ● How to mount panel holder cover set



Name	Description	Contents
ACPG-001	<b>Rear panel bracket set</b>	Rear panel bracket and M3 x 4 male screw (2 pcs.)
ACPG-002	<b>Panel bracket set</b>	Panel bracket and M3 x 4 male screw (2 pcs.)
ACPG-003	<b>Panel holder set</b>	Panel holder cover Panel holder Panel stopper (2 pcs.)
ACPG-004	<b>Holder cover set (For protecting operating panel)</b>	Panel holder cover Panel holder
ACPG-005	<b>Port block</b>	Port block "O" ring (P8) M3 x 10 Male screw 2 pcs. Seal screw 1 pc.