



Chipsmall Limited consists of a professional team with an average of over 10 year of expertise in the distribution of electronic components. Based in Hongkong, we have already established firm and mutual-benefit business relationships with customers from,Europe,America and south Asia,supplying obsolete and hard-to-find components to meet their specific needs.

With the principle of “Quality Parts,Customers Priority,Honest Operation,and Considerate Service”,our business mainly focus on the distribution of electronic components. Line cards we deal with include Microchip,ALPS,ROHM,Xilinx,Pulse,ON,Everlight and Freescale. Main products comprise IC,Modules,Potentiometer,IC Socket,Relay,Connector.Our parts cover such applications as commercial,industrial, and automotives areas.

We are looking forward to setting up business relationship with you and hope to provide you with the best service and solution. Let us make a better world for our industry!



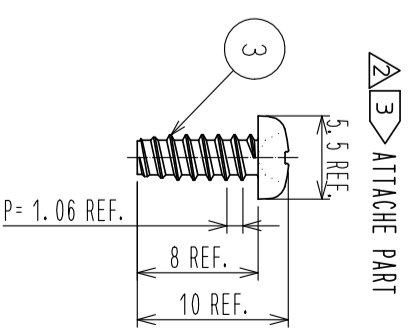
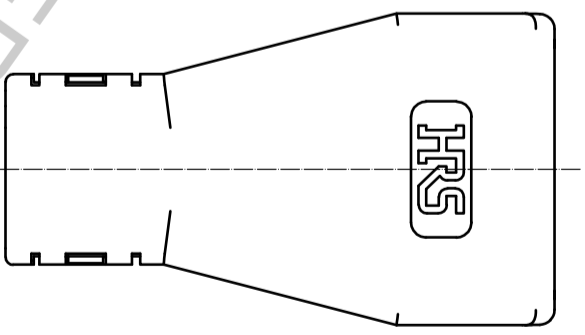
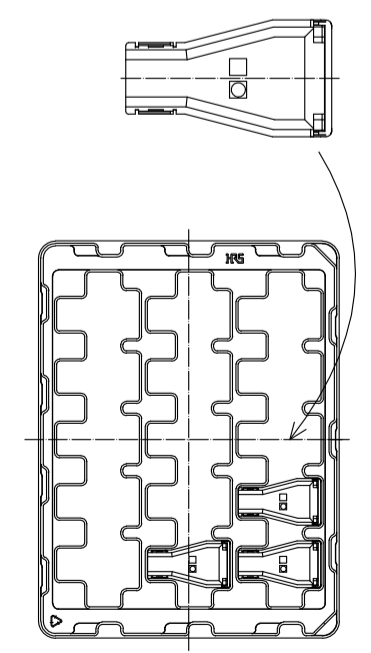
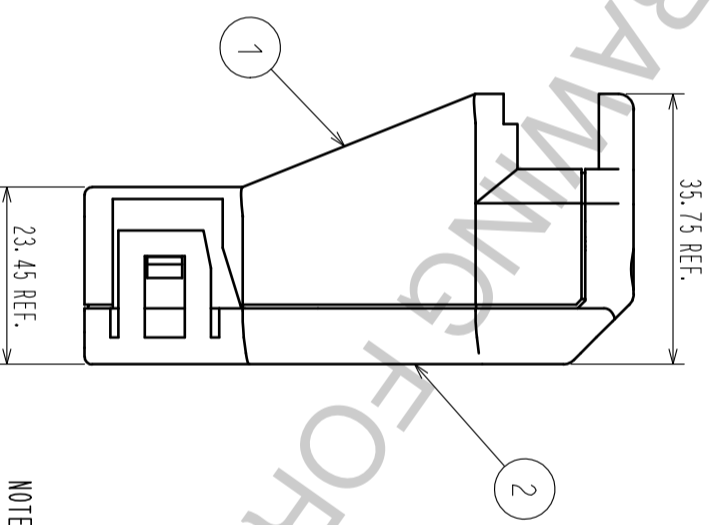
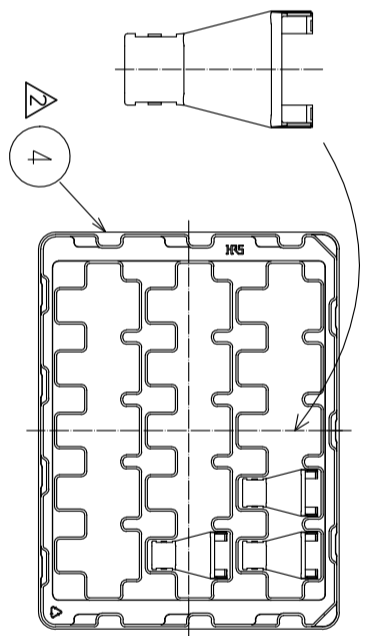
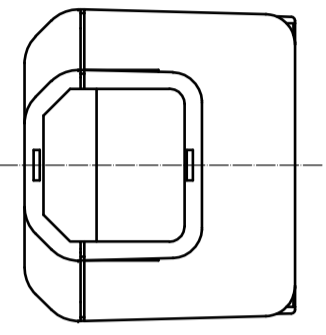
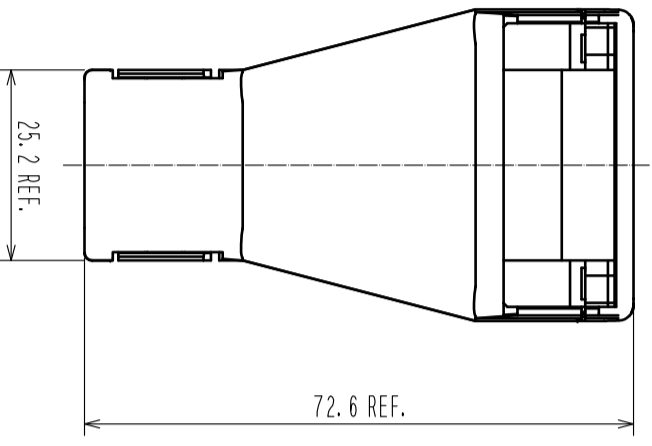
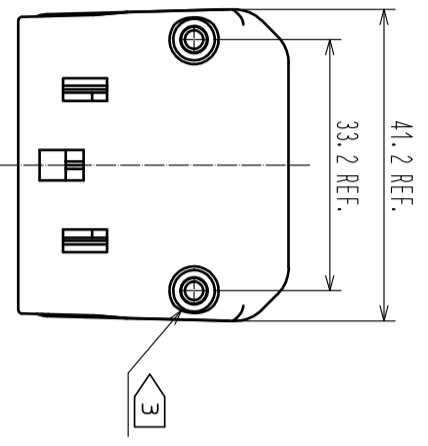
Contact us

Tel: +86-755-8981 8866 Fax: +86-755-8427 6832

Email & Skype: info@chipsmall.com Web: www.chipsmall.com

Address: A1208, Overseas Decoration Building, #122 Zhenhua RD., Futian, Shenzhen, China





PACKING TRAY

ATTACHE PART

NOTE 1. PLEASE USE THIS PRODUCT FOR PS3C-A-1UP(CL236-1064-5-00) OR PS3C-B-1UP(CL236-1065-8-00).

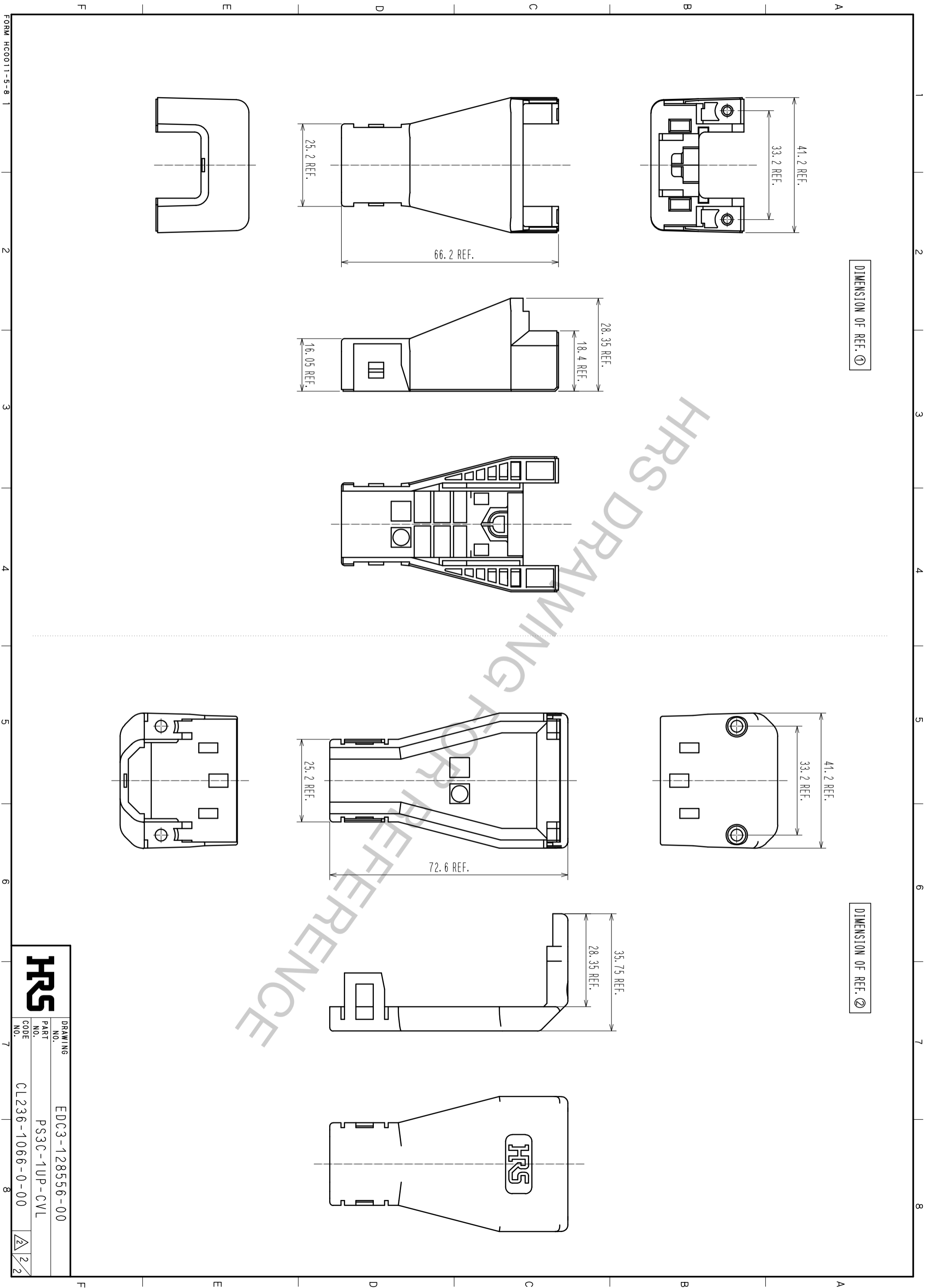
2 THE SALES UNIT IS ONE PIECE AND ONE BOX IS 30 PIECES. PLEASE REFER ETAP-E3129.

3 PLEASE USE THE SELF-TAPPING SCREW FOR FIXING REF. 1 AND REF. 2. IN CASE OF LOSING SELF-TAPPING SCREWS, PLEASE ORDER THEM IN PS3C-1UP-TS(CL236-1068-6). -RECOMMENDED SELF-TAPPING SCREW: JIS B 1122 3X8 STYLE 2 -RECOMMENDED TIGHTENING TORQUE: 0.53 TO 0.66 N · m

2	PBT	BLACK	UL94V-0	4	PP				
1	PBT	BLACK	UL94V-0	3	STEEL				
MATERIAL		FINISH . REMARKS		NO.		MATERIAL		FINISH . REMARKS	
UNITS	SCALE	COUNT	DESCRIPTION OF REVISIONS	DESIGNED	CHECKED	DATE			
mm	1 : 1	7	DIS-E-00000029	WR. YAMADA	NM. NISHIMATSU	15.02.19			
APPROVED : NM. NISHIMATSU		14.07.23		DRAWING		EDC3-128556-00			
CHECKED : NM. NISHIMATSU		14.07.23		PART		PS3C-1UP-CVL			
DESIGNED : WR. YAMADA		14.07.22		NO.					
DRAWN : WR. YAMADA		14.07.22		CODE		CL236-1066-0-00			



HIROSE ELECTRIC CO., LTD.



DIMENSION OF REF. ①

DIMENSION OF REF. ②

HRS DRAWING FOR REFERENCE

HRS	DRAWING NO.	EDC3-128556-00
	PART NO.	PS3C-1UP-CVL
	CODE NO.	CL236-1066-0-00

FORM HC0011-5-8

2

3

4

5

6

7

8

F
E
D
C
B
A

1
2
3
4
5
6
7
8