



Chipsmall Limited consists of a professional team with an average of over 10 year of expertise in the distribution of electronic components. Based in Hongkong, we have already established firm and mutual-benefit business relationships with customers from,Europe,America and south Asia,supplying obsolete and hard-to-find components to meet their specific needs.

With the principle of “Quality Parts,Customers Priority,Honest Operation,and Considerate Service”,our business mainly focus on the distribution of electronic components. Line cards we deal with include Microchip,ALPS,ROHM,Xilinx,Pulse,ON,Everlight and Freescale. Main products comprise IC,Modules,Potentiometer,IC Socket,Relay,Connector.Our parts cover such applications as commercial,industrial, and automotives areas.

We are looking forward to setting up business relationship with you and hope to provide you with the best service and solution. Let us make a better world for our industry!



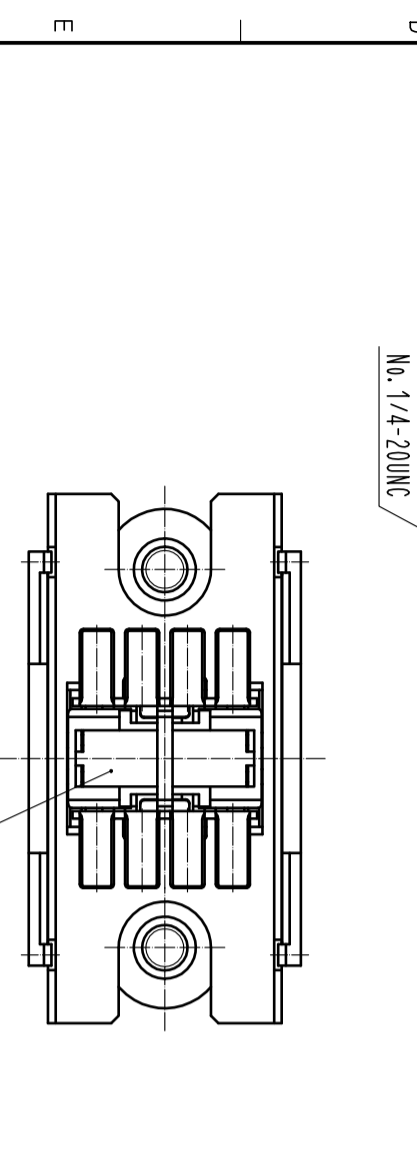
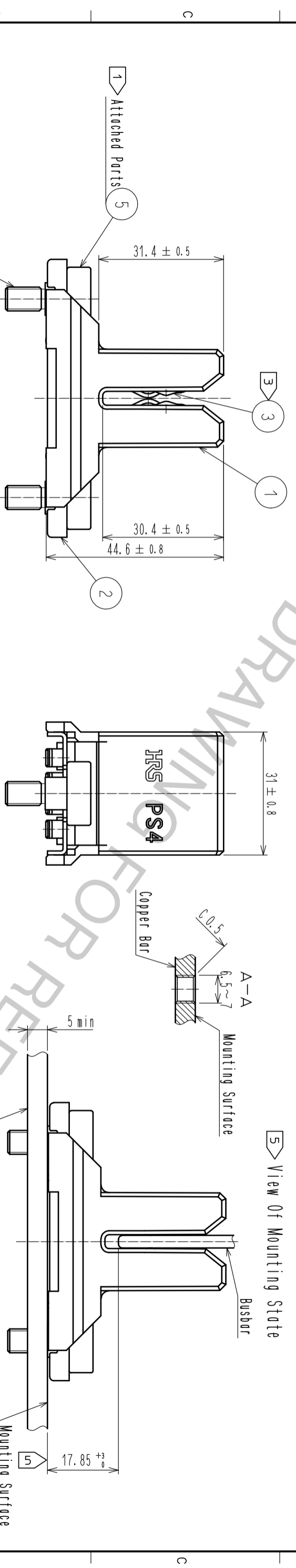
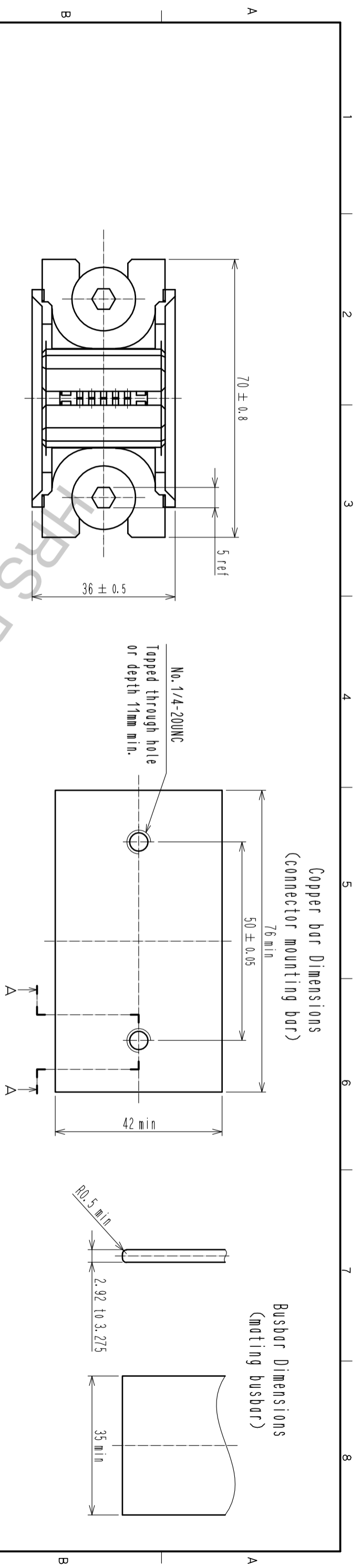
Contact us

Tel: +86-755-8981 8866 Fax: +86-755-8427 6832

Email & Skype: info@chipsmall.com Web: www.chipsmall.com

Address: A1208, Overseas Decoration Building, #122 Zhenhua RD., Futian, Shenzhen, China





- Notes
- 1 The recommended tightening torque for the Ref No. 5 is 5 N · m.
 - 2 This product has floating range of ±2mm from the center of the connector.
 - 3 There are some cases that plating color of Ref No.3 may change from silver to blackish brown due to chemical reaction by sulfre in the atmosphere.
 - 4 Busbar and copper bar shall be either silver plating.
 - 5 The recommended distance between installation site and tip of busbar shall be 17.85± mm.

2	Stainless Steel	Block.	UL94V-0	5	Steel	Nickel Plating : 2µm min
1	PBT	Block.	UL94V-0	4	PBT	Block. UL94V-0
	MATERIAL		FINISH . REMARKS	3	Copper Alloy	Silver Plating : 2µm min
UNITS	SCALE	COUNT	DESCRIPTION OF REVISIONS	NO.	MATERIAL	FINISH . REMARKS
mm	1 : 1	1	DIS-E-00000752			
	APPROVED : R.I. TAKAYASU		DESIGNED	NO.	DRAWING	DATE
	CHECKED : NM. NISHIMATSU		MO. SHIMOYAMA		EDC-128869-00-00	16.11.15
	DESIGNED : MO. SHIMOYAMA		CHECKED	NO.	PART	
	DRAWN : MO. SHIMOYAMA		NM. NISHIMATSU	NO.	PS4-3.175T	
				NO.	CL236-1012-0-00	