



Chipsmall Limited consists of a professional team with an average of over 10 year of expertise in the distribution of electronic components. Based in Hongkong, we have already established firm and mutual-benefit business relationships with customers from,Europe,America and south Asia,supplying obsolete and hard-to-find components to meet their specific needs.

With the principle of "Quality Parts,Customers Priority,Honest Operation,and Considerate Service",our business mainly focus on the distribution of electronic components. Line cards we deal with include Microchip,ALPS,ROHM,Xilinx,Pulse,ON,Everlight and Freescale. Main products comprise IC,Modules,Potentiometer,IC Socket,Relay,Connector.Our parts cover such applications as commercial,industrial, and automotives areas.

We are looking forward to setting up business relationship with you and hope to provide you with the best service and solution. Let us make a better world for our industry!



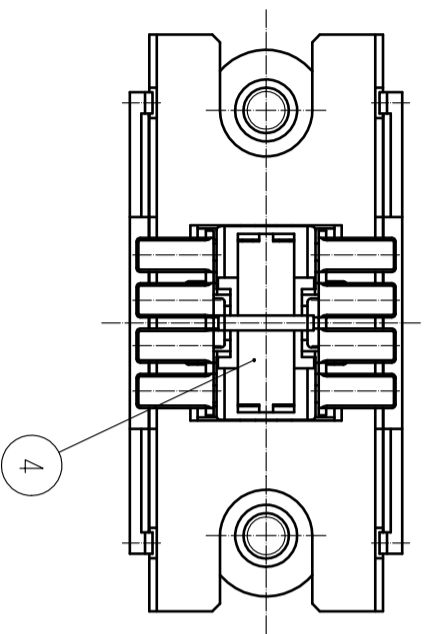
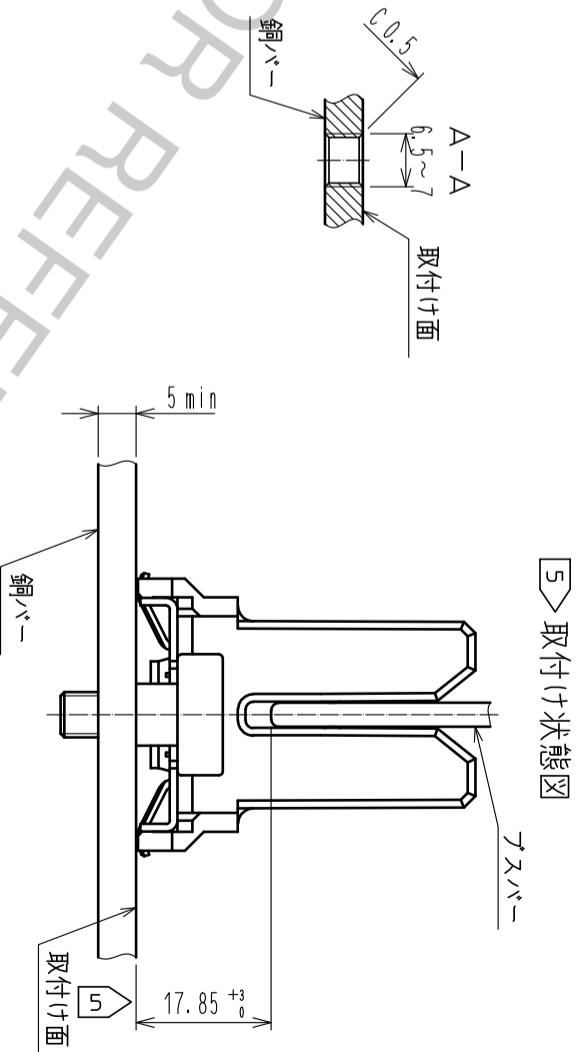
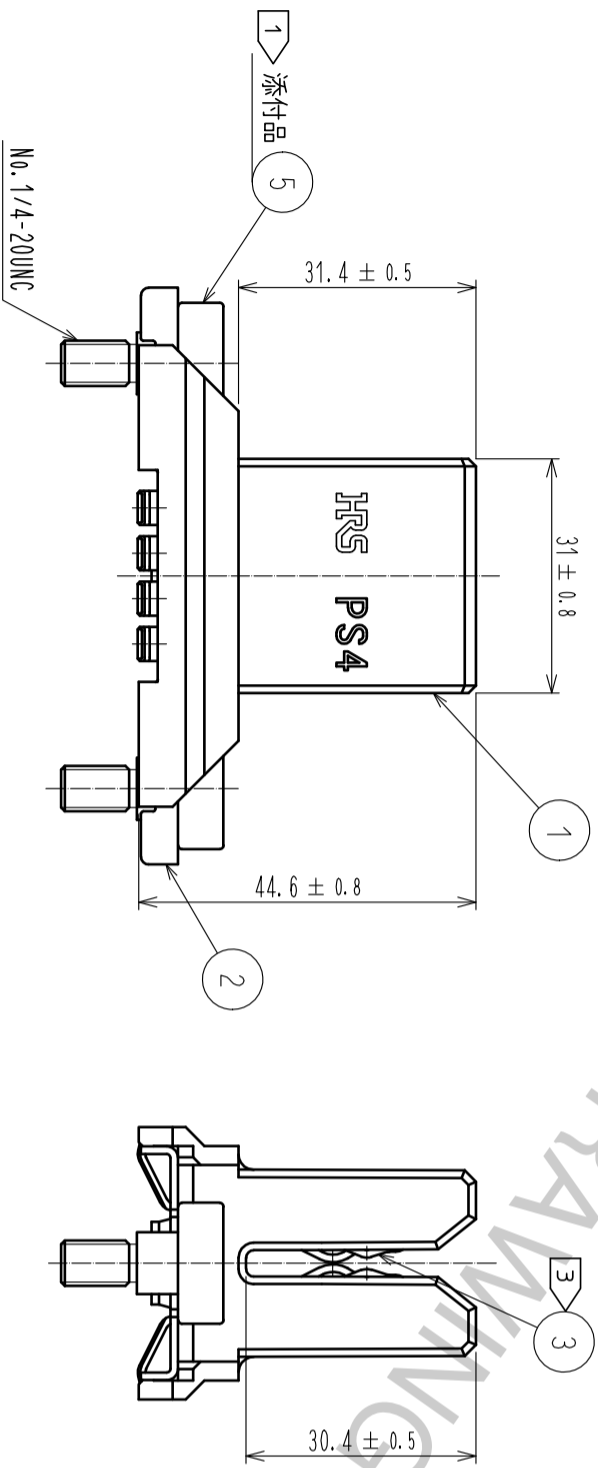
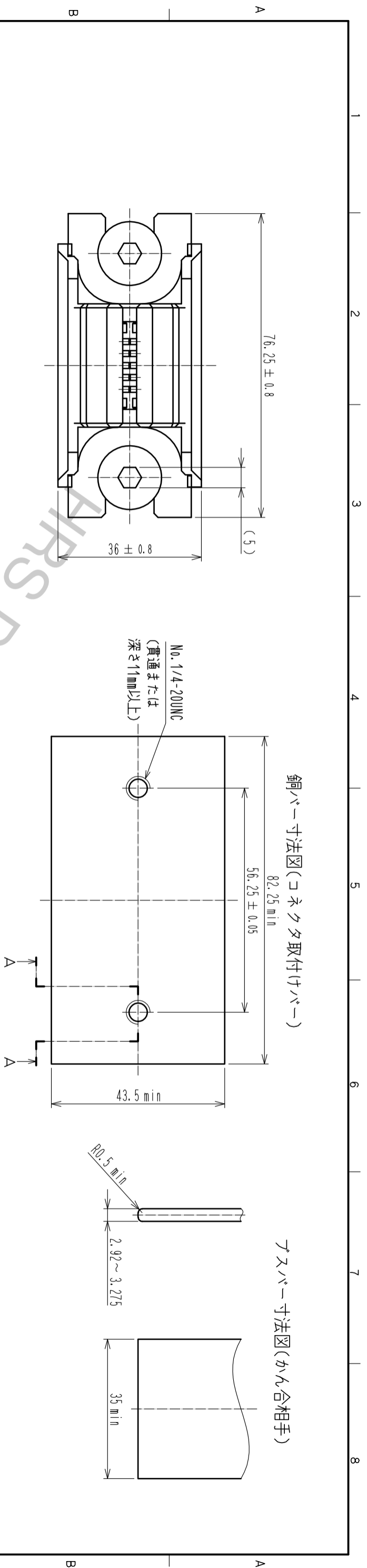
Contact us

Tel: +86-755-8981 8866 Fax: +86-755-8427 6832

Email & Skype: info@chipsmall.com Web: www.chipsmall.com

Address: A1208, Overseas Decoration Building, #122 Zhenhua RD., Futian, Shenzhen, China





- 注
- ① 部番⑤の縮付けトルクは5N・mとなります。
 - ② 本品はコネクタ中心から最大±2mmフロートするローテイング構造となります。
 - ③ 部番③の端子は銀めっきを使用しているため、大気中の硫化物と反応し黒褐色に変色することがあります。
 - ④ ブラスバー及び銅バーのめっきは銀めっき品をご使用願います。
 - ⑤ コネクタとブラスバーの取付け状態は取付け面からブラスバーの先端が17.85^{±0.05}になる様にセッティングして下さい。

NO.	MATERIAL	FINISH	REMARKS	NO.	MATERIAL	FINISH	REMARKS
2	ステンレス鋼	クロ UL94V-0		5	鋼	ニッケルめっき: 2 μ m MIN	
1	PBT			4	PBT	クロ UL94V-0	
				3	銅合金	銀めっき: 2 μ m MIN	

UNITS	SCALE	COUNT	DESCRIPTION OF REVISIONS	DESIGNED	CHECKED	DATE
mm	1:1	1	DIS-E-00000752	MO. SHIMOYAMA	NM. NISHIMATSU	16.11.15

APPROVED	CHECKED	DESIGNED	DRAWING	PART	CODE
RI. TAKAYASU	NM. NISHIMATSU	MO. SHIMOYAMA	EDC-128871-00-00	PS4A-3.175T	CL236-1053-0-00
MO. SHIMOYAMA	MO. SHIMOYAMA	MO. SHIMOYAMA			