



Chipsmall Limited consists of a professional team with an average of over 10 year of expertise in the distribution of electronic components. Based in Hongkong, we have already established firm and mutual-benefit business relationships with customers from,Europe,America and south Asia,supplying obsolete and hard-to-find components to meet their specific needs.

With the principle of “Quality Parts,Customers Priority,Honest Operation,and Considerate Service”,our business mainly focus on the distribution of electronic components. Line cards we deal with include Microchip,ALPS,ROHM,Xilinx,Pulse,ON,Everlight and Freescale. Main products comprise IC,Modules,Potentiometer,IC Socket,Relay,Connector.Our parts cover such applications as commercial,industrial, and automotives areas.

We are looking forward to setting up business relationship with you and hope to provide you with the best service and solution. Let us make a better world for our industry!



## Contact us

Tel: +86-755-8981 8866 Fax: +86-755-8427 6832

Email & Skype: info@chipsmall.com Web: www.chipsmall.com

Address: A1208, Overseas Decoration Building, #122 Zhenhua RD., Futian, Shenzhen, China





Solid State Relay  
OCMOS FET

# PS7241-2A

**8-PIN SOP, 400V BREAK DOWN VOLTAGE  
NORMALLY OPEN TYPE  
2-ch Optical Coupled MOS FET**

–NEPOC Series–

## DESCRIPTION

The PS7241-2A is a solid state relay containing GaAs LEDs on the light emitting side (input side) and normally open (N.O.) contact MOS FETs on the output side.

It is suitable for analog signal control because of their low offset and high linearity.

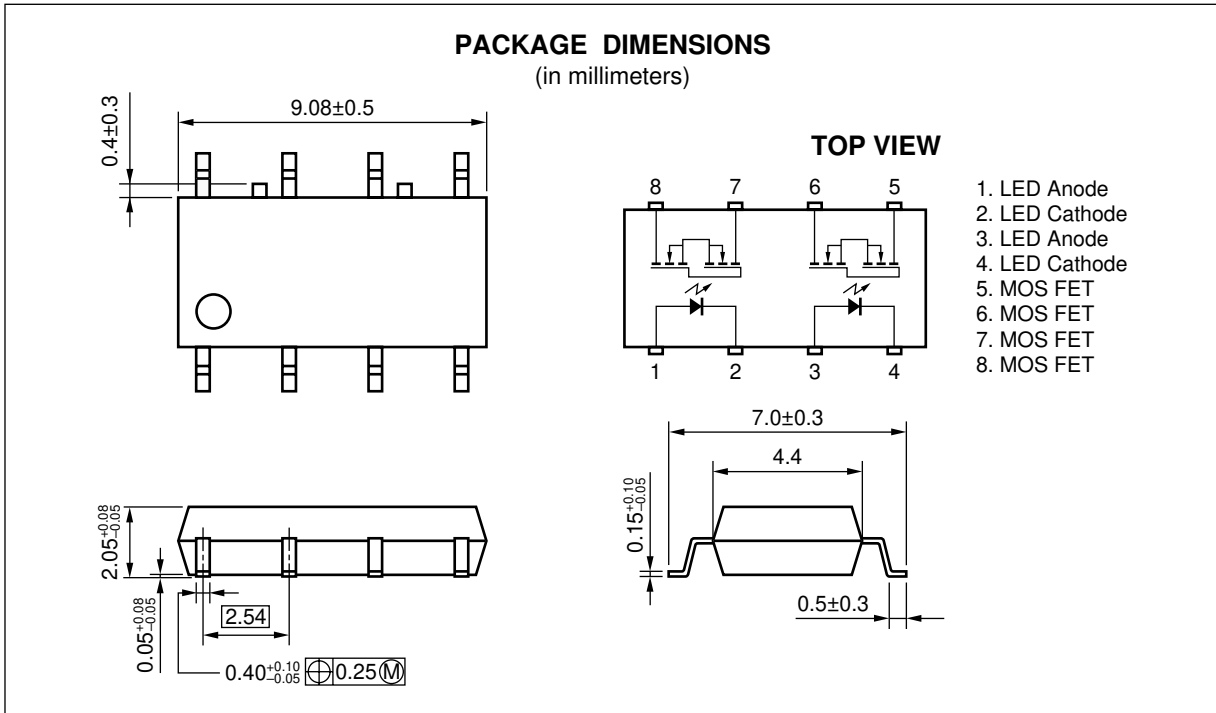
## FEATURES

- 2 channel type (1 a + 1 a output)
- Low LED operating current ( $I_F = 2 \text{ mA}$ )
- Designed for AC/DC switching line changer
- Small and thin package (8-pin SOP, Height = 2.1 mm)
- Low offset voltage
- Ordering number of taping product : PS7241-2A-F3, F4: 1 500 pcs/reel
- <R> • Pb-Free product
- Safety standards
  - UL approved: File No. E72422
  - BSI approved: No. 8241/8242
  - CSA approved: No. CA 101391

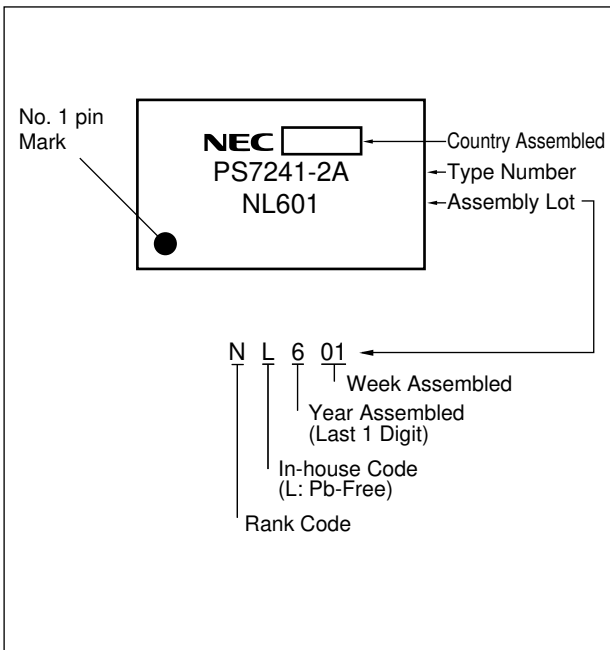
## APPLICATIONS

- Exchange equipment
- Measurement equipment
- FA/OA equipment

The information in this document is subject to change without notice. Before using this document, please confirm that this is the latest version.



<R> **MARKING EXAMPLE**



<R> **ORDERING INFORMATION**

| Part Number  | Order Number   | Solder Plating Specification | Packing Style                | Safety Standard Approval                     | Application Part Number <sup>1</sup> |
|--------------|----------------|------------------------------|------------------------------|--|--------------------------------------|
| PS7241-2A    | PS7241-2A-A    | Pb-Free                      | Magazine case 45 pcs         | Standard products<br>(UL, BSI, CSA approved) | PS7241-2A                            |
| PS7241-2A-F3 | PS7241-2A-F3-A |                              | Embossed Tape 1 500 pcs/reel |  |                                      |
| PS7241-2A-F4 | PS7241-2A-F4-A |                              |                              |  |                                      |

\*1 For the application of the Safety Standard, following part number should be used.

**ABSOLUTE MAXIMUM RATINGS (T<sub>A</sub> = 25°C, unless otherwise specified)**

| Parameter                       |  | Symbol           | Ratings     | Unit    |
|---------------------------------|--|------------------|-------------|---------|
| Diode                           | Forward Current (DC)                                   | I <sub>F</sub>   | 50          | mA/ch   |
|                                 | Reverse Voltage  | V <sub>R</sub>   | 5           | V       |
|                                 | Power Dissipation                                      | P <sub>D</sub>   | 50          | mW/ch   |
|                                 | Peak Forward Current <sup>*1</sup>                     | I <sub>FP</sub>  | 1           | A/ch    |
| MOS FET                         | Break Down Voltage                                     | V <sub>L</sub>   | 400         | V       |
|                                 | Continuous Load Current                                | I <sub>L</sub>   | 120         | mA/ch   |
|                                 | Pulse Load Current <sup>*2</sup><br>(AC/DC Connection) | I <sub>LP</sub>  | 200         | mA/ch   |
|                                 | Power Dissipation                                      | P <sub>D</sub>   | 180         | mW/ch   |
| Isolation Voltage <sup>*3</sup> |  | BV               | 1 500       | Vr.m.s. |
| Total Power Dissipation         |  | P <sub>T</sub>   | 460         | mW      |
| Operating Ambient Temperature   |  | T <sub>A</sub>   | -40 to +85  | °C      |
| Storage Temperature             |  | T <sub>stg</sub> | -40 to +100 | °C      |

\*1 PW = 100 μs, Duty Cycle = 1%

\*2 PW = 100 ms, 1 shot

\*3 AC voltage for 1 minute at T<sub>A</sub> = 25°C, RH = 60% between input and output  
Pins 1-4 shorted together, 5-8 shorted together.

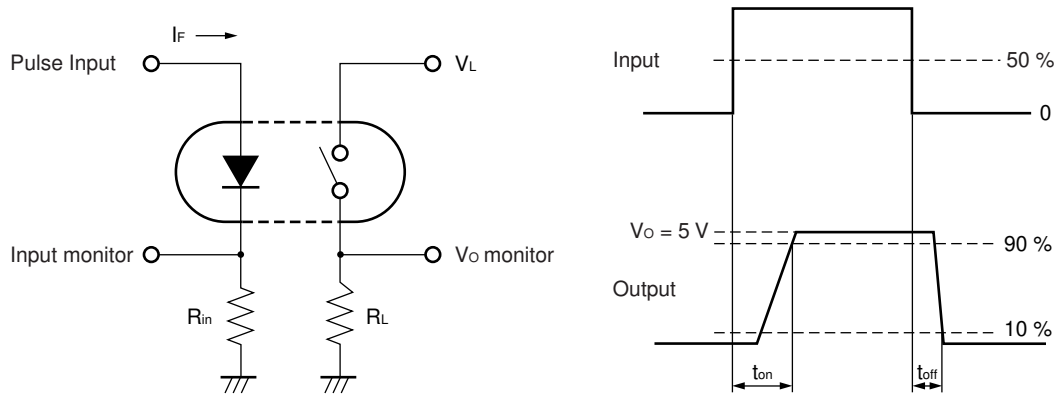
**RECOMMENDED OPERATING CONDITIONS (T<sub>A</sub> = 25°C)**

| Parameter             | Symbol         | MIN. | TYP. | MAX. | Unit  |
|-----------------------|----------------|------|------|------|-------|
| LED Operating Current | I <sub>F</sub> | 2    | 10   | 20   | mA/ch |
| LED Off Voltage       | V <sub>F</sub> | 0    |      | 0.5  | V     |

**ELECTRICAL CHARACTERISTICS (T<sub>A</sub> = 25°C)**

| Parameter |                               | Symbol            | Conditions  | MIN.            | TYP. | MAX. | Unit  |
|-----------|-------------------------------|-------------------|---|-----------------|------|------|-------|
| Diode     | Forward Voltage               | V <sub>F</sub>    | I <sub>F</sub> = 10 mA  |                 | 1.2  | 1.4  | V     |
|           | Reverse Current               | I <sub>R</sub>    | V <sub>R</sub> = 5 V  |                 |      | 5    | μA    |
| MOS FET   | Off-state Leakage Current     | I <sub>Loff</sub> | V <sub>D</sub> = 400 V  |                 | 0.03 | 1.0  | μA    |
|           | Output Capacitance            | C <sub>out</sub>  | V <sub>D</sub> = 0 V, f = 1.0 MHz   |                 | 65   |      | pF/ch |
| Coupled   | LED On-state Current          | I <sub>Fon</sub>  | I <sub>L</sub> = 120 mA   |                 |      | 2.0  | mA    |
|           | On-state Resistance           | R <sub>on1</sub>  | I <sub>F</sub> = 10 mA, I <sub>L</sub> = 10 mA                                      |                 | 21   | 30   | Ω     |
|           |                               | R <sub>on2</sub>  | I <sub>F</sub> = 10 mA, I <sub>L</sub> = 120 mA, t ≤ 10 ms                          |                 | 16   | 25   |       |
|           | Turn-on Time <sup>*1,2</sup>  | t <sub>on</sub>   | I <sub>F</sub> = 10 mA, V <sub>O</sub> = 5 V, R <sub>L</sub> = 500 Ω,<br>PW ≥ 10 ms |                 | 0.2  | 1.0  | ms    |
|           | Turn-off Time <sup>*1,2</sup> | t <sub>off</sub>  |   |                 | 0.02 | 0.2  |       |
|           | Isolation Resistance          | R <sub>I-O</sub>  | V <sub>I-O</sub> = 1.0 kV <sub>DC</sub>   | 10 <sup>9</sup> |      |      | Ω     |
|           | Isolation Capacitance         | C <sub>I-O</sub>  | V = 0 V, f = 1.0 MHz  |                 | 0.4  |      | pF/ch |

**\*1 Test Circuit for Switching Time**

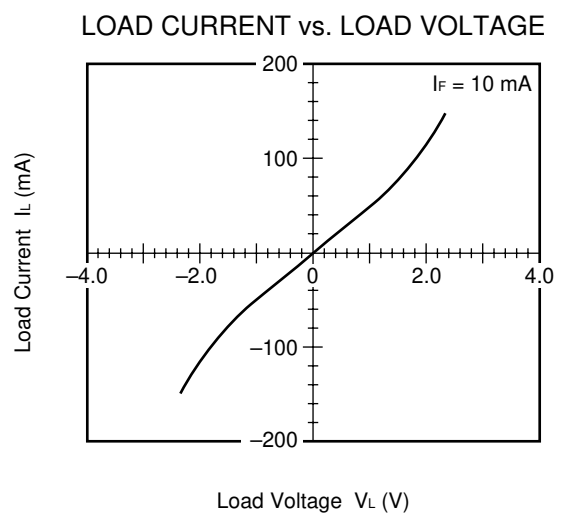
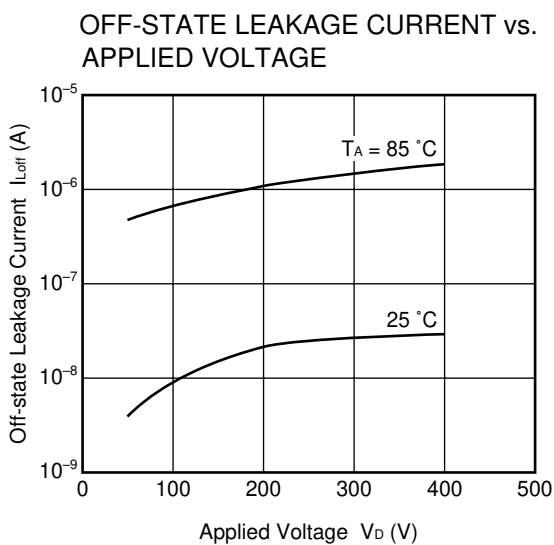
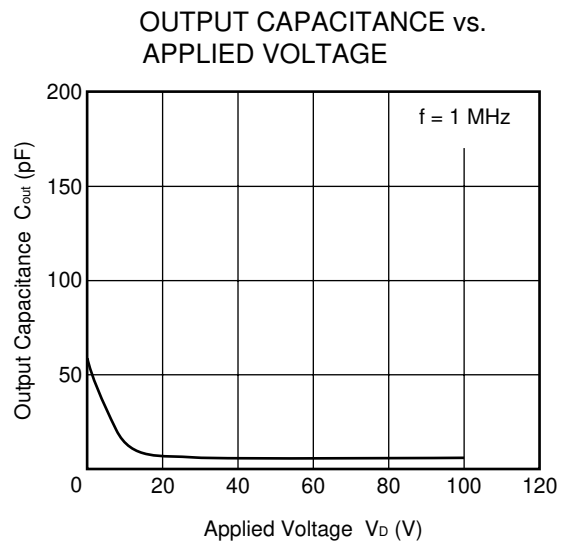
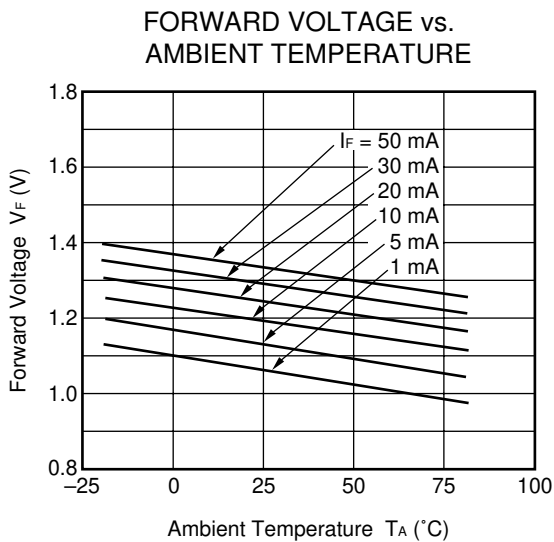
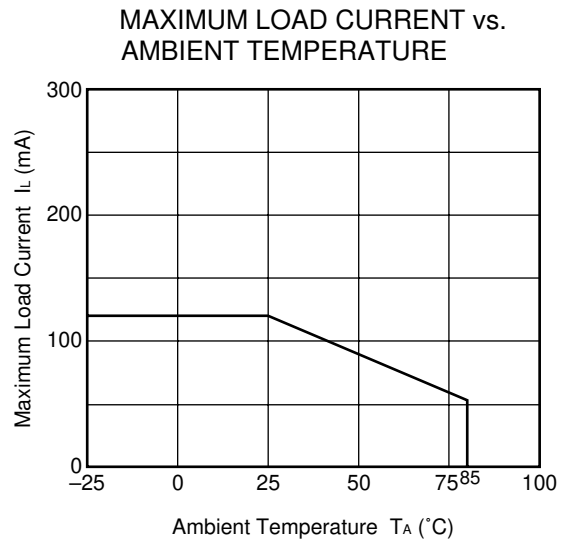
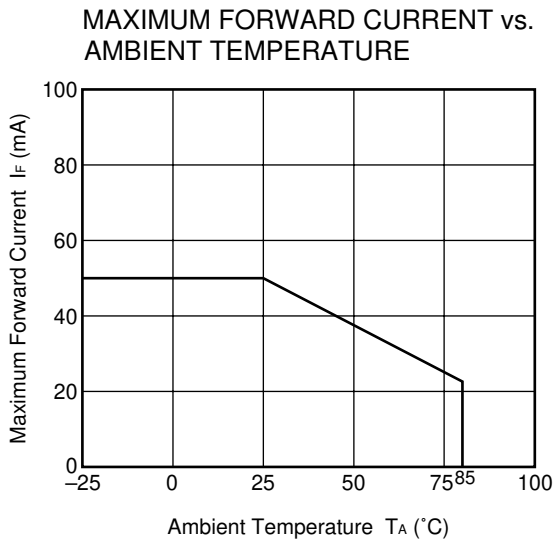


<R>

**\*2** The turn-on time and turn-off time are specified as input-pulse width ≥ 10 ms.

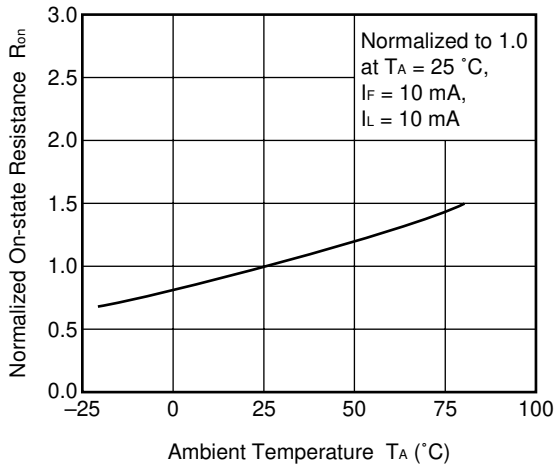
Be aware that when the device operates with an input-pulse width less than 10 ms, the turn-on time and turn-off time will increase.

**TYPICAL CHARACTERISTICS ( $T_A = 25^\circ\text{C}$ , unless otherwise specified)**

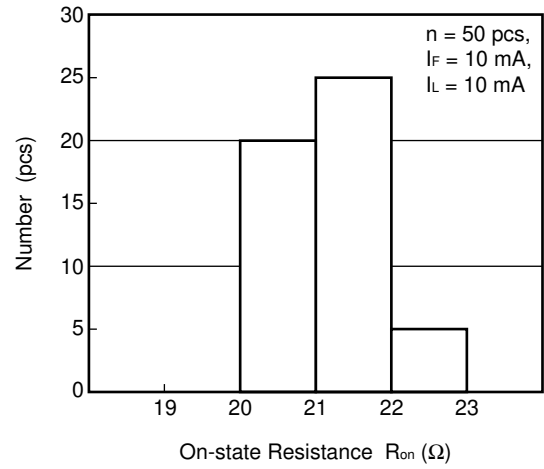


**Remark** The graphs indicate nominal characteristics.

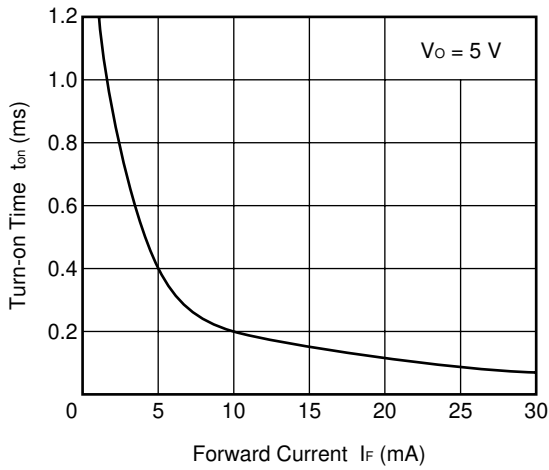
NORMALIZED ON-STATE RESISTANCE vs. AMBIENT TEMPERATURE



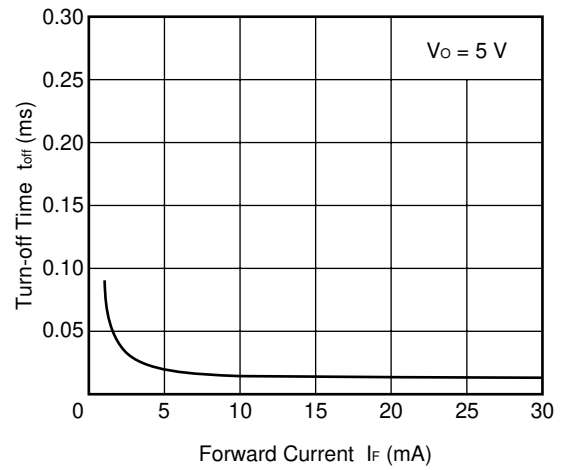
ON-STATE RESISTANCE DISTRIBUTION



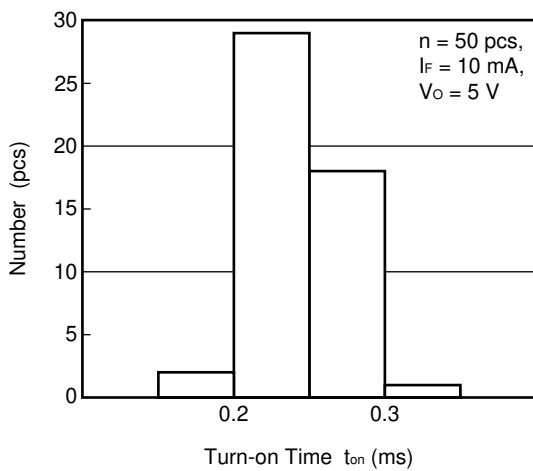
TURN-ON TIME vs. FORWARD CURRENT



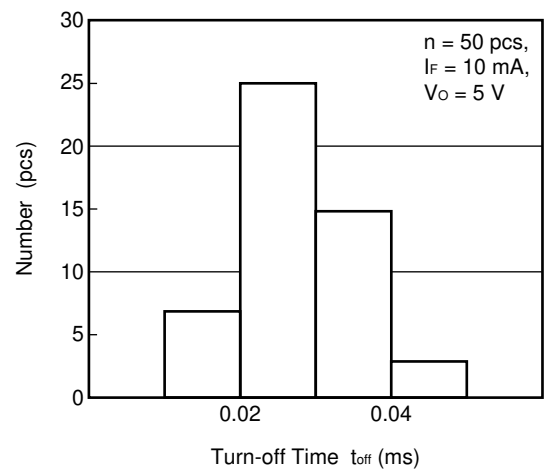
TURN-OFF TIME vs. FORWARD CURRENT



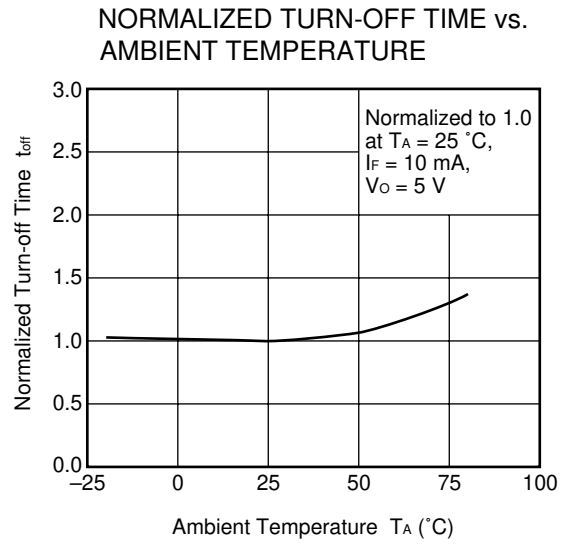
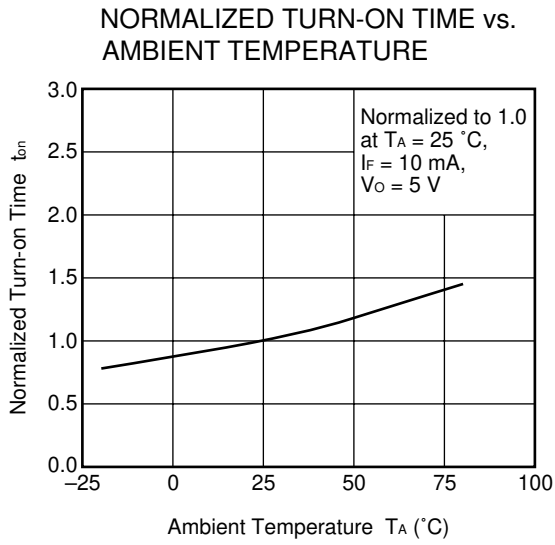
TURN-ON TIME DISTRIBUTION



TURN-OFF TIME DISTRIBUTION



**Remark** The graphs indicate nominal characteristics.

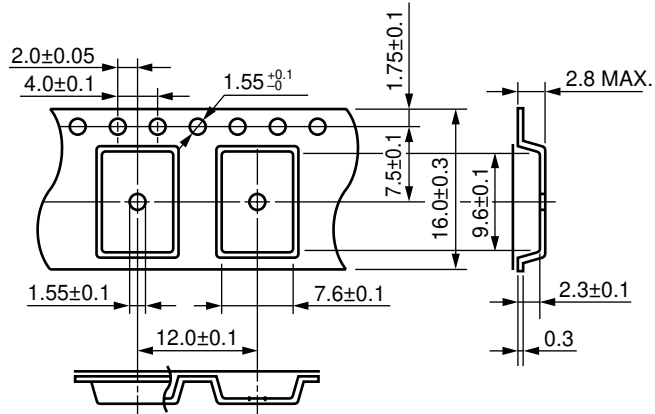


**Remark** The graphs indicate nominal characteristics.

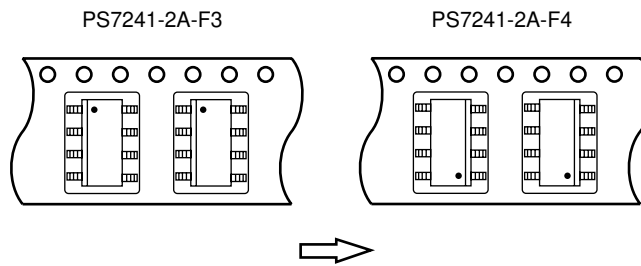


TAPING SPECIFICATIONS (in millimeters)

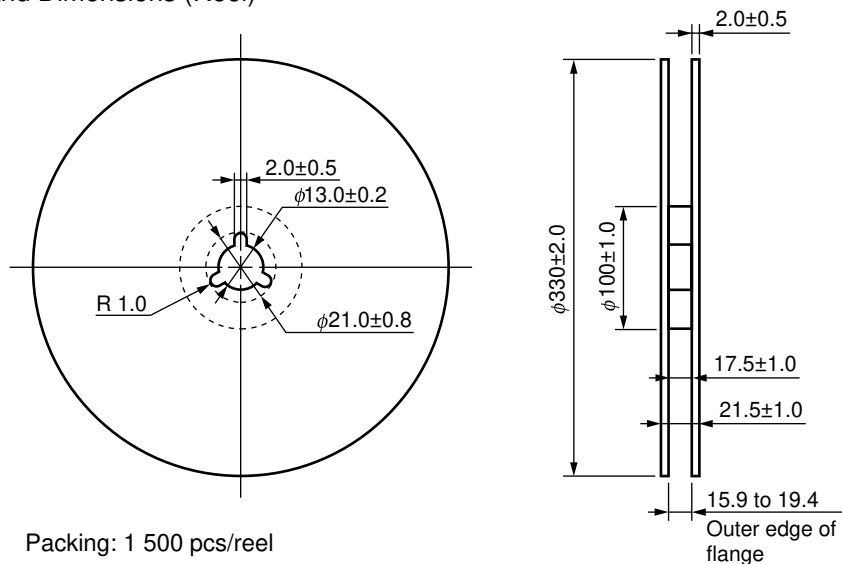
Outline and Dimensions (Tape)



Tape Direction



Outline and Dimensions (Reel)

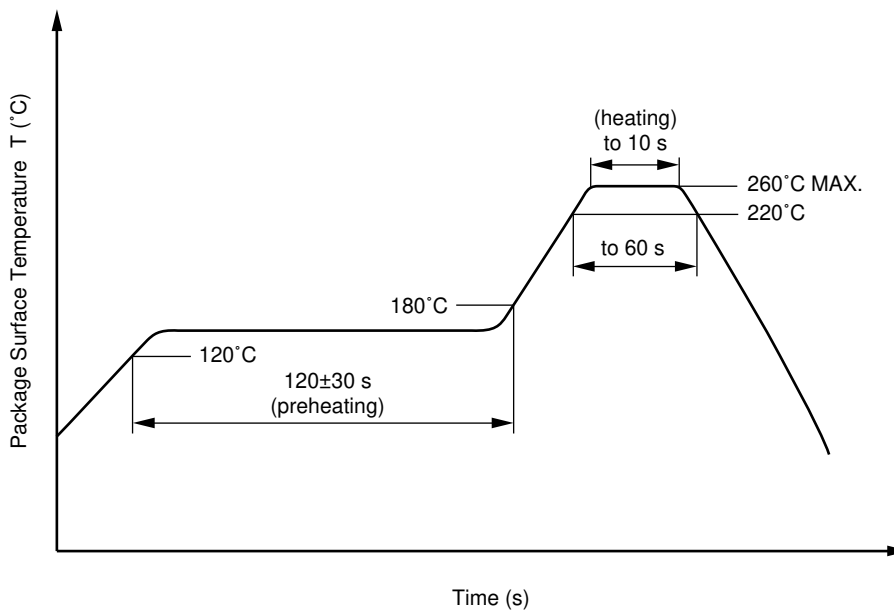


**RECOMMENDED SOLDERING CONDITIONS**

**(1) Infrared reflow soldering**

- Peak reflow temperature 260°C or below (package surface temperature)
- Time of peak reflow temperature 10 seconds or less
- Time of temperature higher than 220°C 60 seconds or less
- Time to preheat temperature from 120 to 180°C 120±30 s
- Number of reflows Three
- Flux Rosin flux containing small amount of chlorine (The flux with a maximum chlorine content of 0.2 Wt% is recommended.)

Recommended Temperature Profile of Infrared Reflow



**(2) Wave soldering**

- Temperature 260°C or below (molten solder temperature)
- Time 10 seconds or less
- Preheating conditions 120°C or below (package surface temperature)
- Number of times One
- Flux Rosin flux containing small amount of chlorine (The flux with a maximum chlorine content of 0.2 Wt% is recommended.)

<R>

**(3) Soldering by soldering iron**

- Peak temperature (lead part temperature) 350°C or below
- Time (each pins) 3 seconds or less
- Flux Rosin flux containing small amount of chlorine (The flux with a maximum chlorine content of 0.2 Wt% is recommended.)

- (a) Soldering of leads should be made at the point 1.5 to 2.0 mm from the root of the lead.
- (b) Please be sure that the temperature of the package would not be heated over 100°C.

**(4) Cautions**

- Fluxes  
Avoid removing the residual flux with freon-based and chlorine-based cleaning solvent.

<R> **USAGE CAUTIONS**

1. Protect against static electricity when handling.
2. Avoid storage at a high temperature and high humidity.

• **The information in this document is current as of August, 2006. The information is subject to change without notice. For actual design-in, refer to the latest publications of NEC Electronics data sheets or data books, etc., for the most up-to-date specifications of NEC Electronics products. Not all products and/or types are available in every country. Please check with an NEC Electronics sales representative for availability and additional information.**

• No part of this document may be copied or reproduced in any form or by any means without the prior written consent of NEC Electronics. NEC Electronics assumes no responsibility for any errors that may appear in this document.

• NEC Electronics does not assume any liability for infringement of patents, copyrights or other intellectual property rights of third parties by or arising from the use of NEC Electronics products listed in this document or any other liability arising from the use of such products. No license, express, implied or otherwise, is granted under any patents, copyrights or other intellectual property rights of NEC Electronics or others.

• Descriptions of circuits, software and other related information in this document are provided for illustrative purposes in semiconductor product operation and application examples. The incorporation of these circuits, software and information in the design of a customer's equipment shall be done under the full responsibility of the customer. NEC Electronics assumes no responsibility for any losses incurred by customers or third parties arising from the use of these circuits, software and information.

• While NEC Electronics endeavors to enhance the quality, reliability and safety of NEC Electronics products, customers agree and acknowledge that the possibility of defects thereof cannot be eliminated entirely. To minimize risks of damage to property or injury (including death) to persons arising from defects in NEC Electronics products, customers must incorporate sufficient safety measures in their design, such as redundancy, fire-containment and anti-failure features.

• NEC Electronics products are classified into the following three quality grades: "Standard", "Special" and "Specific".

The "Specific" quality grade applies only to NEC Electronics products developed based on a customer-designated "quality assurance program" for a specific application. The recommended applications of an NEC Electronics product depend on its quality grade, as indicated below. Customers must check the quality grade of each NEC Electronics product before using it in a particular application.

"Standard": Computers, office equipment, communications equipment, test and measurement equipment, audio and visual equipment, home electronic appliances, machine tools, personal electronic equipment and industrial robots.

"Special": Transportation equipment (automobiles, trains, ships, etc.), traffic control systems, anti-disaster systems, anti-crime systems, safety equipment and medical equipment (not specifically designed for life support).

"Specific": Aircraft, aerospace equipment, submersible repeaters, nuclear reactor control systems, life support systems and medical equipment for life support, etc.

The quality grade of NEC Electronics products is "Standard" unless otherwise expressly specified in NEC Electronics data sheets or data books, etc. If customers wish to use NEC Electronics products in applications not intended by NEC Electronics, they must contact an NEC Electronics sales representative in advance to determine NEC Electronics' willingness to support a given application.

(Note)

(1) "NEC Electronics" as used in this statement means NEC Electronics Corporation and also includes its majority-owned subsidiaries.

(2) "NEC Electronics products" means any product developed or manufactured by or for NEC Electronics (as defined above).

|                       |                      |   |
|-----------------------|----------------------|---|
| <p><b>Caution</b></p> | <p>GaAs Products</p> | <p>This product uses gallium arsenide (GaAs).<br/>GaAs vapor and powder are hazardous to human health if inhaled or ingested, so please observe the following points.</p> <ul style="list-style-type: none"> <li>• Follow related laws and ordinances when disposing of the product. If there are no applicable laws and/or ordinances, dispose of the product as recommended below.             <ol style="list-style-type: none"> <li>1. Commission a disposal company able to (with a license to) collect, transport and dispose of materials that contain arsenic and other such industrial waste materials.</li> <li>2. Exclude the product from general industrial waste and household garbage, and ensure that the product is controlled (as industrial waste subject to special control) up until final disposal.</li> </ol> </li> <li>• Do not burn, destroy, cut, crush, or chemically dissolve the product.</li> <li>• Do not lick the product or in any way allow it to enter the mouth.</li> </ul> |
|-----------------------|----------------------|---|

► **For further information, please contact**

**NEC Compound Semiconductor Devices Hong Kong Limited**

E-mail: [contact@ncsd-hk.necel.com](mailto:contact@ncsd-hk.necel.com)

Hong Kong Head Office TEL: +852-3107-7303 FAX: +852-3107-7309  
 Taipei Branch Office TEL: +886-2-8712-0478 FAX: +886-2-2545-3859  
 Korea Branch Office TEL: +82-2-558-2120 FAX: +82-2-558-5209

**NEC Electronics (Europe) GmbH** <http://www.eu.necel.com/>

TEL: +49-211-6503-0 FAX: +49-211-6503-1327

**California Eastern Laboratories, Inc.** <http://www.cel.com/>

TEL: +1-408-988-3500 FAX: +1-408-988-0279

**Compound Semiconductor Devices Division**

**NEC Electronics Corporation**

URL: <http://www.ncsd.necel.com/>