



Chipsmall Limited consists of a professional team with an average of over 10 year of expertise in the distribution of electronic components. Based in Hongkong, we have already established firm and mutual-benefit business relationships with customers from,Europe,America and south Asia,supplying obsolete and hard-to-find components to meet their specific needs.

With the principle of “Quality Parts,Customers Priority,Honest Operation,and Considerate Service”,our business mainly focus on the distribution of electronic components. Line cards we deal with include Microchip,ALPS,ROHM,Xilinx,Pulse,ON,Everlight and Freescale. Main products comprise IC,Modules,Potentiometer,IC Socket,Relay,Connector.Our parts cover such applications as commercial,industrial, and automotives areas.

We are looking forward to setting up business relationship with you and hope to provide you with the best service and solution. Let us make a better world for our industry!



## Contact us

Tel: +86-755-8981 8866 Fax: +86-755-8427 6832

Email & Skype: info@chipsmall.com Web: www.chipsmall.com

Address: A1208, Overseas Decoration Building, #122 Zhenhua RD., Futian, Shenzhen, China





## 12W Wall Plug Adapter PSA12x Adapter Series Meets EISA and Ecodesign Requirements



### Features

- Double Insulated
- Class B EMI
- Ecodesign ErP Directive 2009/125/EC level 2 annex 1b Compliant
- Less Than 0.3W No-Load Current
- Over-Voltage Protection
- Efficiency Level V Compliance

### Applications

- Wireless Communications
- Networking
- Portable Equipment
- Peripherals

### Safety Approvals

- cUL/UL (A-Model)
- BSMI (A-Model)
- TUV (E-Model)
- CE (E-Model)

### Mechanical Characteristics<sup>(1)</sup>

- Length: 71.5mm (2.81in)
- Width: 33.75mm (1.33in)
- Height: 46mm (1.81in)
- Weight: 85g (3.00oz)

### Output Specifications

Model <sup>(3)</sup>	DC Output Voltage	Load		Ripple <sup>(2)</sup> P-P (max.)	Regulation Line & Load	Efficiency Level
		Min.	Max.			
PSA12x-120 <sup>(4)</sup>	12V	0A	1.0A	240mV	±5%	V

(1) Dimensions for PSA12A-120 model

(2) Measured with an oscilloscope with 20MHz (or over) Bandwidth. Outputs should be bypassed at a connector with a 0.1uF ceramic capacitor and a 10uF electrolytic capacitor.

(3) Minimum order requirement of 2500 pieces for both US and EU models.

(4) X = A for US version, E for EU version

Phihong is not responsible for any error, and reserves the right to make changes without notice. Please visit our website at [www.phihong.com](http://www.phihong.com) for the most up-to-date specifications and contact information.

**Input:****AC Input Voltage Rating**

100 to 240 V AC

**AC Input Voltage Range**

90 to 264V AC

**AC Input Frequency**

50 to 60Hz

**Input Current**

0.5A (RMS) maximum at 120V AC

0.25A (RMS) maximum at 240V AC

**Leakage Current**

0.25A maximum at 264V AC

**Inrush Current**

30A for 120V AC at maximum load

60A for 230V AC at maximum load

**Input Power Saving**

&lt;0.3W maximum at no load

**Output:****Efficiency**

77.76% minimum average efficiency

**Hold-up Time**

10mS minim at 120V AC and maximum load

**Over-Voltage Protection**

Output voltage shall not exceed 20V

**Short-Circuit Protection**

Protected against short circuit. Continuous short circuit will not produce fire, smoke or excessive heat

**Environmental:  
Temperature**

Operation 0 to +40°C

Non-operation -40 to +80°C

Humidity 10 to 90%

**Emissions**

FCC Class B

EN55022 Class B

**Immunity**

EN50082-1: (EN55024)

EN61000-4-2 Level 4

EN61000-4-5 Level 3

**Dielectric Withstand (Hi-pot) Test**

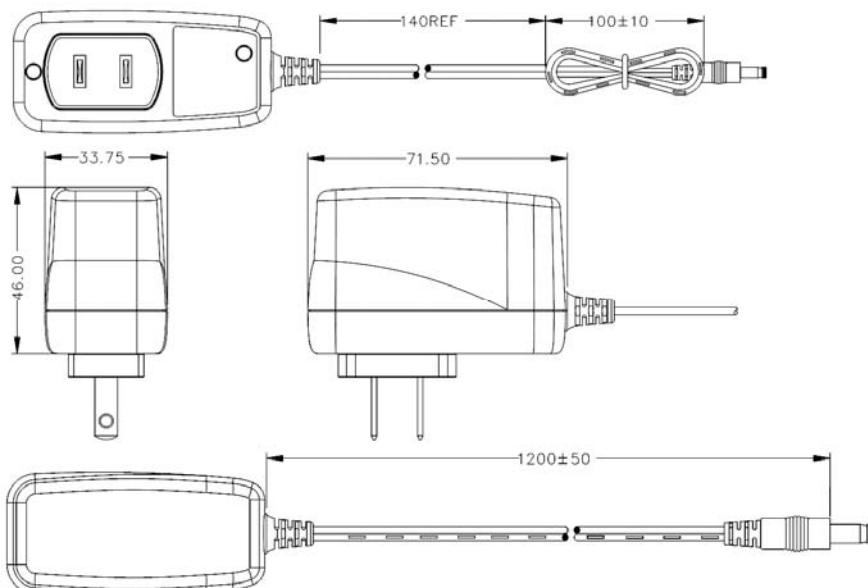
Primary to Secondary: 3000V AC for 1 min., 10mA

**DC Output Connector**

2.1 x 5.5mm Center Positive Standard

**Mating Connector**

Kycon KLD-0202-A or equivalent

**Dimension Diagram Unit: mm – PSA12A-120**



**Dimension Diagram Unit: mm – PSA12E-120**

