



Chipsmall Limited consists of a professional team with an average of over 10 year of expertise in the distribution of electronic components. Based in Hongkong, we have already established firm and mutual-benefit business relationships with customers from,Europe,America and south Asia,supplying obsolete and hard-to-find components to meet their specific needs.

With the principle of “Quality Parts,Customers Priority,Honest Operation,and Considerate Service”,our business mainly focus on the distribution of electronic components. Line cards we deal with include Microchip,ALPS,ROHM,Xilinx,Pulse,ON,Everlight and Freescale. Main products comprise IC,Modules,Potentiometer,IC Socket,Relay,Connector.Our parts cover such applications as commercial,industrial, and automotives areas.

We are looking forward to setting up business relationship with you and hope to provide you with the best service and solution. Let us make a better world for our industry!



## Contact us

Tel: +86-755-8981 8866 Fax: +86-755-8427 6832

Email & Skype: info@chipsmall.com Web: www.chipsmall.com

Address: A1208, Overseas Decoration Building, #122 Zhenhua RD., Futian, Shenzhen, China





**5W Low Cost Linear Eliminator  
PSAA05 Adapters Meet EISA and Level V Requirements**



**Features**

- Double Insulated
- Efficiency Level V Compliance
- Small Package Size
- Low Leakage Current
- Low Cost
- Class B EMI

**Applications**

- MPEG Players
- PDAs
- Personal Electronics
- Digital Cameras

**Safety Approvals**

- CE
- cUL/UL
- C-Tick
- TUV
- SAA

**Mechanical Characteristics<sup>(1)</sup>**

- Length: 66.5mm (2.62in)
- Width: 28.0mm (1.10in)
- Height: 39.0mm (1.54in)
- Weight: 85g (3oz)

**Output Specifications**

Model	DC Output Voltage	Load		Ripple <sup>(2)</sup> P-P (max.)	Regulation Line & Load	Efficiency Level
		Min.	Max.			
PSAA05X-050 <sup>(3)</sup>	5.0V	0A	1A	100mV	±5%	

Notes:

- (1) Mechanical characteristics for PSAA05A-050 model
- (2) Measured with an oscilloscope with 20MHz (or over) bandwidth. Outputs should be bypassed at a connector with a 0.1uF ceramic capacitor and a 10uF electrolytic capacitor.
- (3) x = A for US version, E for EU version, K for UK version, S for Australian version  
(Note) MOQ of 2200 pieces for EU and Australian models and 2100 pieces for UK model

Phihong is not responsible for any error, and reserves the right to make changes without notice. Please visit our website at [www.phihong.com](http://www.phihong.com) for the most up-to-date specifications and contact information.

**Input:**

**AC Input Voltage Rating**

100 to 240V AC

**AC Input Voltage Range**

90 to 264V AC

**AC Input Frequency**

47 to 63Hz

**Input Current**

0.3A (RMS) maximum at 90V AC

**Leakage Current**

20uA maximum at 240V AC, 50Hz

**Inrush Current**

45A maximum at 264V AC  
(Cold start at ambient 25°C)

**Input Power Saving**

<0.3W maximum at no load

**Output:**

**Efficiency**

≥68% average efficiency

**Environmental:**

**Temperature**

Operation                    0 to +50°C  
Non-operation                -25 to +75°C  
Humidity                      0 to 90%

**Emissions**

EN55022 Class B

**Immunity**

IEC61000-4-2  
IEC61000-4-3  
IEC61000-4-4  
IEC61000-4-5  
IEC61000-4-6  
IEC61000-4-11  
EN61000-3-2

**Over-Voltage Protection**

7.2V DC maximum

**Over-Current Protection**

2.2A maximum

**Short-Circuit Protection**

Output equipped with short circuit protection with auto restart  
Output can be shorted permanently without damage

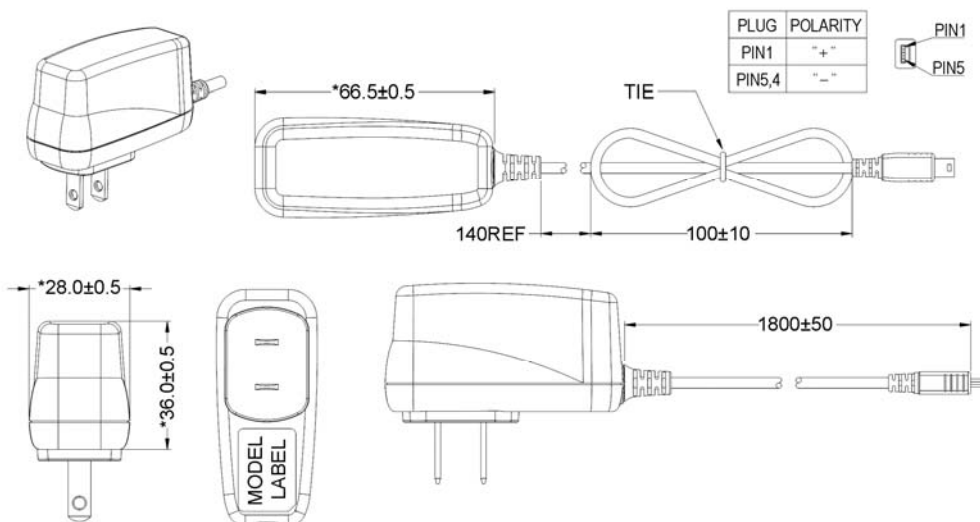
**Dielectric Withstand (Hi-pot) Test**

Primary to Secondary: 3000V AC for 1 min., 60mA

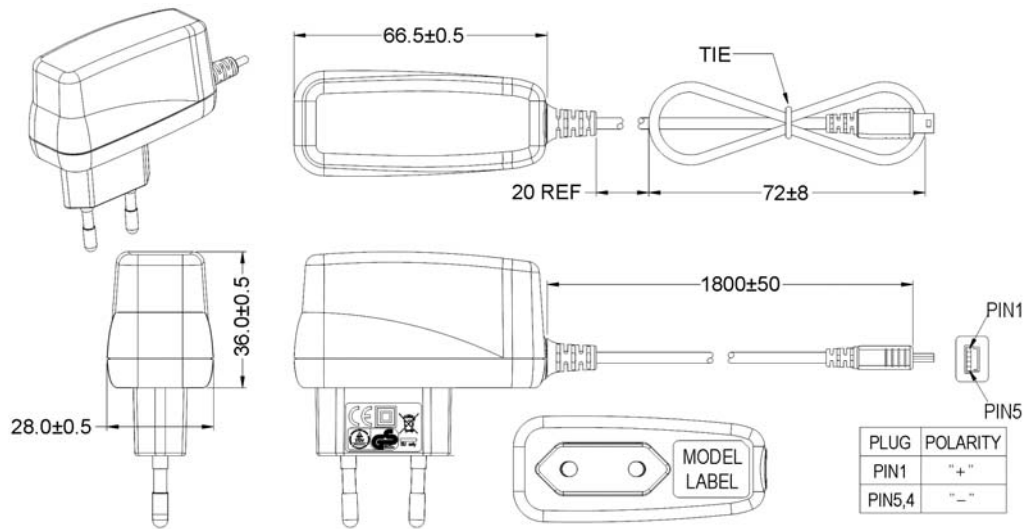
**DC Output Connector**

Mini-USB

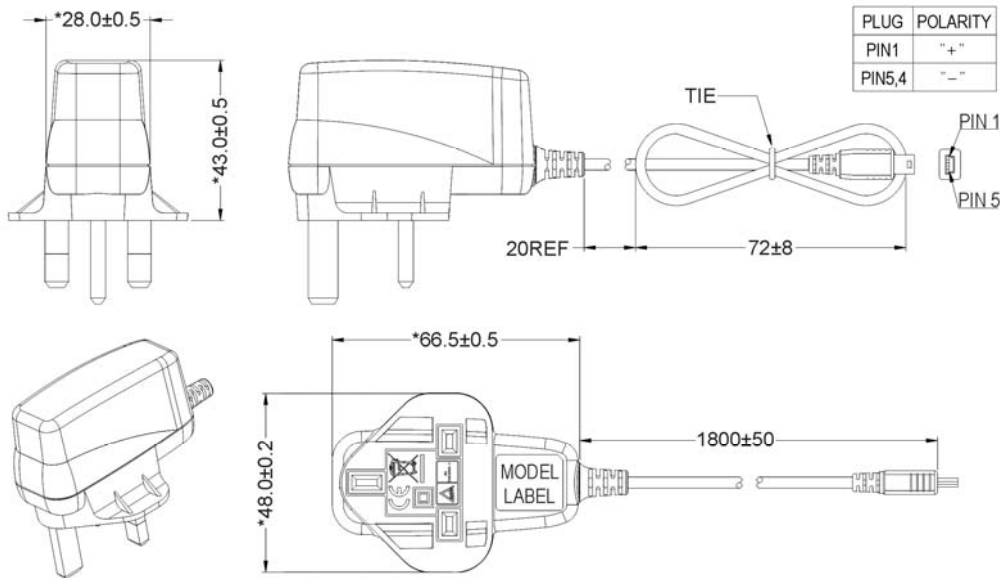
**Dimension Diagram Unit: mm PSAA05A-050**



**Dimension Diagram Unit: mm PSAA05E-050**



**Dimension Diagram Unit: mm PSAA05K-050**



**Dimension Diagram Unit: mm PSAA05S-050**

