



Chipsmall Limited consists of a professional team with an average of over 10 year of expertise in the distribution of electronic components. Based in Hongkong, we have already established firm and mutual-benefit business relationships with customers from,Europe,America and south Asia,supplying obsolete and hard-to-find components to meet their specific needs.

With the principle of “Quality Parts,Customers Priority,Honest Operation,and Considerate Service”,our business mainly focus on the distribution of electronic components. Line cards we deal with include Microchip,ALPS,ROHM,Xilinx,Pulse,ON,Everlight and Freescale. Main products comprise IC,Modules,Potentiometer,IC Socket,Relay,Connector.Our parts cover such applications as commercial,industrial, and automotives areas.

We are looking forward to setting up business relationship with you and hope to provide you with the best service and solution. Let us make a better world for our industry!



Contact us

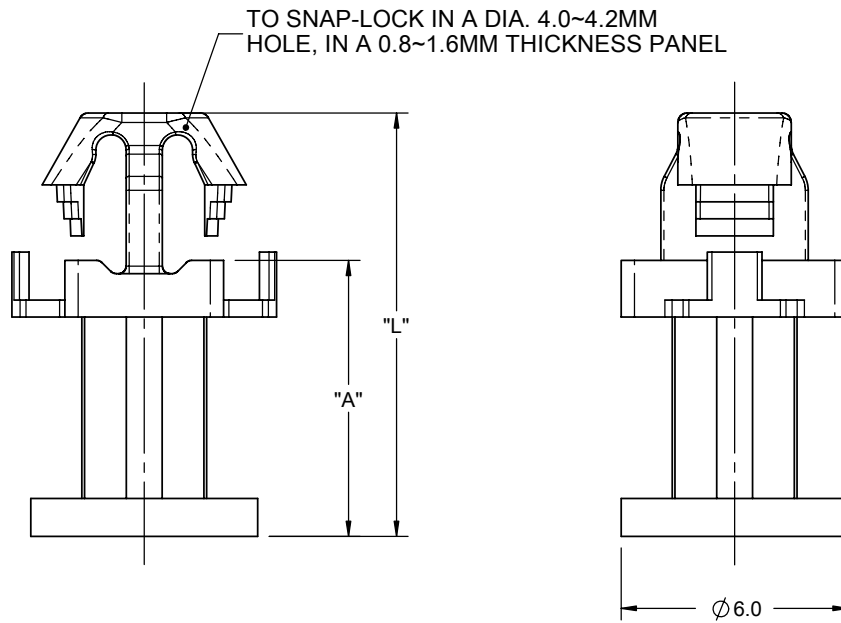
Tel: +86-755-8981 8866 Fax: +86-755-8427 6832

Email & Skype: info@chipsmall.com Web: www.chipsmall.com

Address: A1208, Overseas Decoration Building, #122 Zhenhua RD., Futian, Shenzhen, China



MATERIAL: NYLON 66 UL94 V-2 (RMS-01) COLOR: NATRUAL PART NO.	MATERIAL: NYLON 66 UL94 V-0 (RMS-19) COLOR: NATURAL PART NO.	"A"	"L"
PSE-3M-01	PSE-3M-19	3.0	6.9
PSE-4M-01	PSE-4M-19	4.0	7.9
PSE-5M-01	PSE-5M-19	5.0	8.9
PSE-6M-01	PSE-6M-19	6.0	9.9
PSE-7M-01	PSE-7M-19	7.0	10.9
PSE-7.3M-01	PSE-7.3M-19	7.3	11.2
PSE-8M-01	PSE-8M-19	8.0	11.9



DIMENSIONS	TOLERANCE
$DIM \leq 6.0$	± 0.2
$6.0 < DIM \leq 18.0$	± 0.3
$18 < DIM \leq 30$	± 0.4
$30 < DIM \leq 50$	± 0.5
$50 < DIM \leq 80$	± 0.6
$80 < DIM \leq 120$	± 0.8
$DIM > 120$	TBD

01	SEE CO220111 FOR CHANGES	J.T 07.06.12
A-B	SEE VERSION A-B	J.T 07.06.12
R E V	DESCRIPTION	ENGR. DATE

TITLE: CARD SPACER					DWG IN MM	
CREATED USING SOLIDWORKS	FILE #: PSE	DWN: J.T	APP: J.T	FINAL		
TOLERANCES UNLESS NOTED	SHEET: 1 OF 1	SHEET SIZE: A	DT: 07.06.12	CHKD: A.F	PART #	PRINT TYPE
DIM ±: SEE TABLE ANG. = ±1°	RE: RICHCO	RICHCO		WWW.RICHCO-INC.COM	SEE TABLE	CA
				(+86) 592-6884500		