



Chipsmall Limited consists of a professional team with an average of over 10 year of expertise in the distribution of electronic components. Based in Hongkong, we have already established firm and mutual-benefit business relationships with customers from,Europe,America and south Asia,supplying obsolete and hard-to-find components to meet their specific needs.

With the principle of “Quality Parts,Customers Priority,Honest Operation,and Considerate Service”,our business mainly focus on the distribution of electronic components. Line cards we deal with include Microchip,ALPS,ROHM,Xilinx,Pulse,ON,Everlight and Freescale. Main products comprise IC,Modules,Potentiometer,IC Socket,Relay,Connector.Our parts cover such applications as commercial,industrial, and automotives areas.

We are looking forward to setting up business relationship with you and hope to provide you with the best service and solution. Let us make a better world for our industry!



Contact us

Tel: +86-755-8981 8866 Fax: +86-755-8427 6832

Email & Skype: info@chipsmall.com Web: www.chipsmall.com

Address: A1208, Overseas Decoration Building, #122 Zhenhua RD., Futian, Shenzhen, China

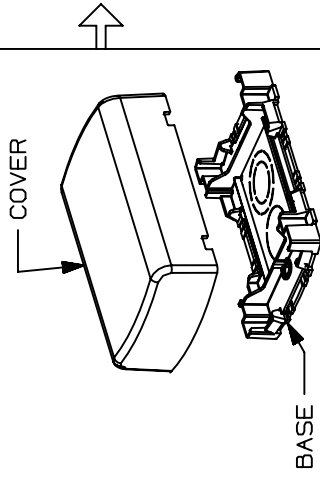
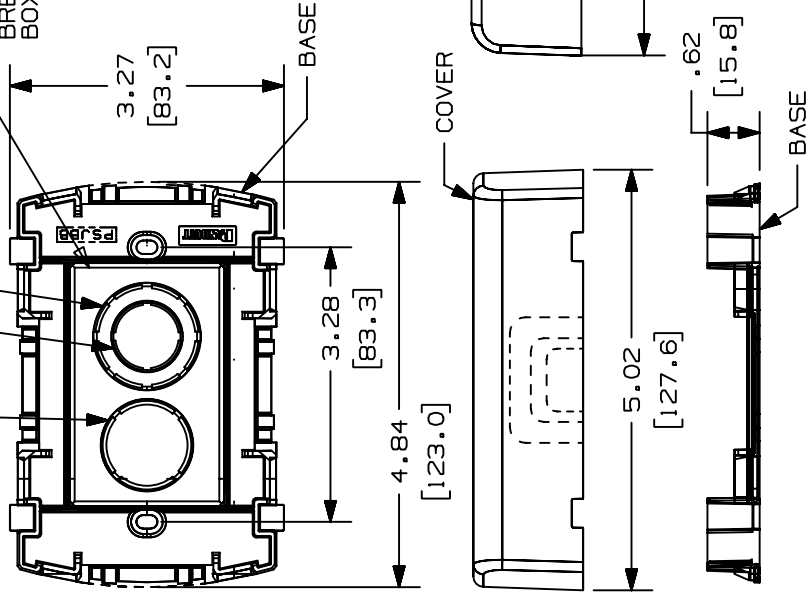


THIS COPY IS PROVIDED ON A RESTRICTED BASIS AND IS NOT TO BE USED IN ANY WAY DETRIMENTAL TO THE INTERESTS OF PANDUIT CORP.
 BREAKOUT FOR 3/4" CONDUIT
 BREAKOUT FOR 1/2" CONDUIT
 CENTER RECTANGLE
 BREAKOUT FOR WALL
 BOX.

PANDUIT P/N	WEIGHT
PSJBX	2.2 LB/10 PCS (994g/10 PCS)



- NOTES:
- SEE CURRENT CATALOG FOR ADDITIONAL PART NUMBER SUFFIXES TO INDICATE COLOR AND OR PACKAGE QUANTITY.
 - THIS PRODUCT IS INTENDED TO BE USED WITH PANDUIT TYPE LDP, LD, CD, RACEWAYS.
 - DIMENSIONS IN PARENTHESIS ARE IN METRIC.



CAD FILENAME/LAYERS D35541CE_DC_JB_PSBX_02.PRT

PANDUIT CORP. TINLEY PARK, ILLINOIS
 POWER SOURCE JUNCTION BOX (PSJBX)
 CUSTOMER DRAWING

UNLESS OTHERWISE SPECIFIED, DIMENSIONAL TOLERANCES ARE: (.X) ± (.XXX) ±.010(.3) (.XX) ±.03(.8) ANGLES ±		UNLESS OTHERWISE SPECIFIED, ALL DIMENSIONS ARE GIVEN IN INCHES, THIRD ANGLE PROJECTION.	
DRAWN BY JBA	MAT'L: PVC	SCALE NONE	DWG NO. 35541-31
DATE 09-19-96	CHECKED BY CEF		SIZE A

REV	DATE	BY	CHK	ECN	CHK	CUST	SUP	DESCRIPTION
2	07-21-99	DW	HIW	35541-31	HIW	HIW		B. DWG NUMBER WAS CORRECTED FROM 35241-31 A. REV'D WEIGHT AND MAT'L WAS ABS/PC
1	07-11-97	DW	HIW	35541-31	HIW			REVISED AND REDRAWN
R	09-19-96	JBA	CEF	35541-31	CEF			RELEASED TO PRODUCTION