



Chipsmall Limited consists of a professional team with an average of over 10 year of expertise in the distribution of electronic components. Based in Hongkong, we have already established firm and mutual-benefit business relationships with customers from,Europe,America and south Asia,supplying obsolete and hard-to-find components to meet their specific needs.

With the principle of “Quality Parts,Customers Priority,Honest Operation,and Considerate Service”,our business mainly focus on the distribution of electronic components. Line cards we deal with include Microchip,ALPS,ROHM,Xilinx,Pulse,ON,Everlight and Freescale. Main products comprise IC,Modules,Potentiometer,IC Socket,Relay,Connector.Our parts cover such applications as commercial,industrial, and automotives areas.

We are looking forward to setting up business relationship with you and hope to provide you with the best service and solution. Let us make a better world for our industry!



## Contact us

Tel: +86-755-8981 8866 Fax: +86-755-8427 6832

Email & Skype: info@chipsmall.com Web: www.chipsmall.com

Address: A1208, Overseas Decoration Building, #122 Zhenhua RD., Futian, Shenzhen, China

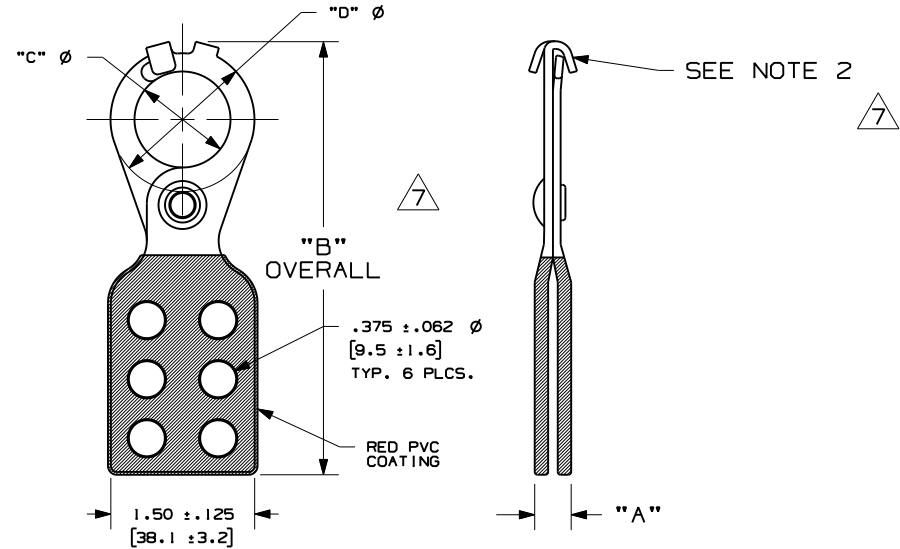


TABLE 1			
PART NUMBER	DESCRIPTION	MAX. NO. LOCKS.	STANDARD PKG.
PSL - 1	HASP WITH 1.0" (25 mm) DIA. JAW AND OVERLAPPING TABS	6	12
PSL - 1.5	HASP WITH 1.5" (38 mm) DIA. JAW AND OVERLAPPING TABS	6	12
PSL - 1A	HASP WITH 1.0" (25 mm) DIA. JAW	6	12
PSL - 1.5A	HASP WITH 1.5" (38 mm) DIA. JAW	6	12



TABLE 2				
P/N	"A"	"B" OVERALL	"C"	"D" DIA.
PSL - 1	.375 +/- .063 (9.5 +/- 1.6)	4.50 +/- .12 (114.3 +/- 3.1)	1.00 +/- .04 (25.4 +/- 1.0)	1.50 +/- .04 (38.1 +/- 1.0)
PSL - 1.5		5.05 +/- .12 (128.3 +/- 3.1)	1.50 +/- .04 (38.1 +/- 1.0)	2.12 +/- .04 (53.8 +/- 1.0)
PSL - 1A		4.40 +/- .12 (111.8 +/- 3.1)	1.00 +/- .04 (25.4 +/- 1.0)	1.50 +/- .04 (38.1 +/- 1.0)
PSL - 1.5A		4.95 +/- .12 (125.7 +/- 3.1)	1.50 +/- .04 (38.1 +/- 1.0)	2.12 +/- .04 (53.8 +/- 1.0)

- NOTES:
1. DIMENSIONS SHOWN IN BRACKETS ARE IN MILLIMETERS.
  2. PSL-1A AND PSL1.5A DO NOT HAVE TABS
  3. OPERATING TEMPERATURE: -40°C (-40°F) TO 60°C (140°F)



CAD FILENAME/LAYERS 100318MU\_DC\_C10099/01H

7	7/7/11	JHAC	<i>Attc</i>	ADDED OPERATING TEMPERATURE AND MORE DETAIL TO TITLE CHANGED MATERIAL DESCRIPTION, REMOVED ADDITIONAL DIMENSIONAL INFORMATION AND REMOVED VIEW 1 AND VIEW 2	6451	R						
6	7/21/09	RVU		.375 +/- .062 Ø WAS .375 +/- .125 Ø. C1018 WAS C108. .083/.079 WAS .080/.079. ADD "TABLE 1 & TABLE 2" ONLY. TOL: +/- .04 ( +/- 1.0) WAS +/- .12 ( +/- 3.1) FOR ALL OF COLUMN "F".	5797	R						
5	7/15/09	RVU		VOID								
4	10/20/08	RVU	LDG	CHANGE FORMAT 'B' TO 'A'. ADDED NEW COLUMNS OF "G" DIA., "H" R., VIEW 2 AND REVISED NOTES 2.	5571	R						
3	7-27-06	RVU	DWY	ADD TABLE "E" AND "F".	4583	R						
2	3-29-05	RVU	DWY	ADDED SIDE VIEW, VIEW 1, AND DIMENSIONS "A", "B", "C" AND "D".	3840	R						
1	3-25-03	RVU	DWY	DIMENSION 1.50 +/- .125, 5.00 +/- .125, & TOLERANCE ADDED. MISC. REVISIONS.	3207	R						
R	9-23-99	RVU	DWY	DRAWING RELEASE	1438	R						
REV	DATE	BY	CHK	DESCRIPTION	ECN	R	CUST	SUP				

**PANDUIT** CORP. TINLEY PARK, ILLINOIS

**SAFETY LOCKOUT HASP - PSL-1(A) AND PSL1.5(A)**

UNLESS OTHERWISE SPECIFIED, DIMENSIONAL TOLERANCES ARE:  
 (.X) ± (.XXX) ±  
 (.XX) ± ANGLES ±

UNLESS OTHERWISE SPECIFIED, ALL DIMENSIONS ARE GIVEN IN INCHES, THIRD ANGLE PROJECTION.

DRAWN BY: RVU

DATE: 9-23-99

CHK'D: *Attc*

MAT'L: ZINC PLATED STEEL WITH RED PVC COATING

SCALE: NTS

DRAWING NO. C10099

DWG SIZE: A