



Chipsmall Limited consists of a professional team with an average of over 10 year of expertise in the distribution of electronic components. Based in Hongkong, we have already established firm and mutual-benefit business relationships with customers from,Europe,America and south Asia,supplying obsolete and hard-to-find components to meet their specific needs.

With the principle of “Quality Parts,Customers Priority,Honest Operation,and Considerate Service”,our business mainly focus on the distribution of electronic components. Line cards we deal with include Microchip,ALPS,ROHM,Xilinx,Pulse,ON,Everlight and Freescale. Main products comprise IC,Modules,Potentiometer,IC Socket,Relay,Connector.Our parts cover such applications as commercial,industrial, and automotives areas.

We are looking forward to setting up business relationship with you and hope to provide you with the best service and solution. Let us make a better world for our industry!



## Contact us

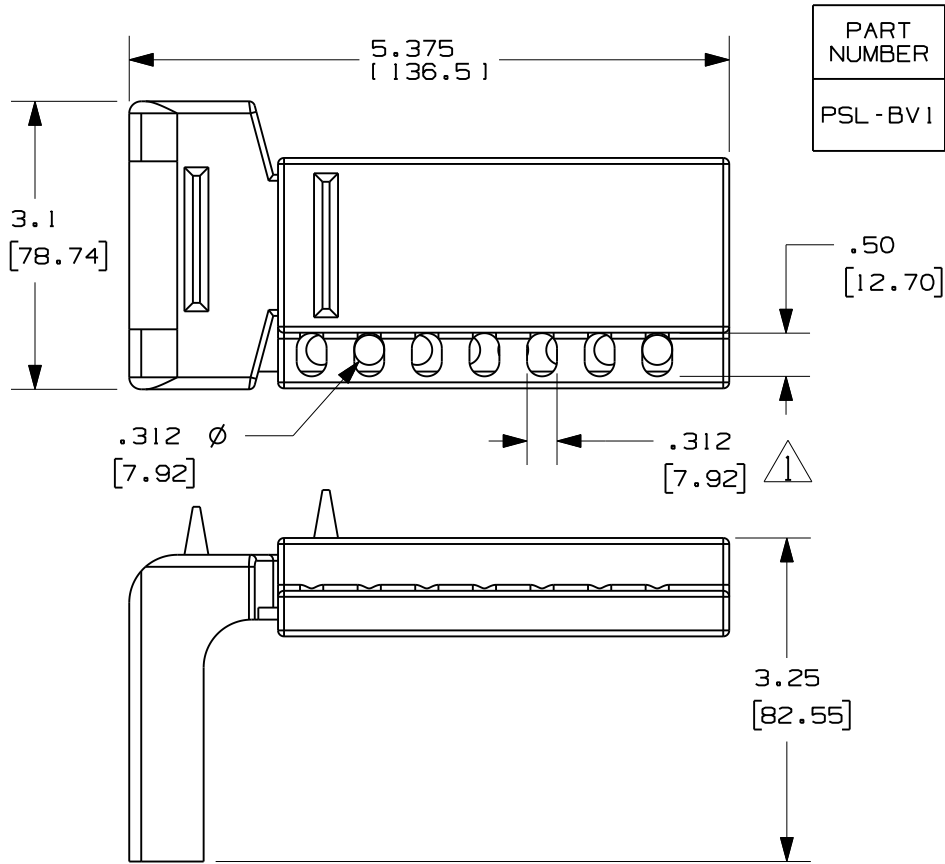
Tel: +86-755-8981 8866 Fax: +86-755-8427 6832

Email & Skype: info@chipsmall.com Web: www.chipsmall.com

Address: A1208, Overseas Decoration Building, #122 Zhenhua RD., Futian, Shenzhen, China



THIS COPY IS PROVIDED ON A RESTRICTED BASIS AND IS NOT TO BE USED IN ANY WAY DETRIMENTAL TO THE INTERESTS OF PANDUIT CORP.



PART NUMBER	VALVE SIZE in. (mm)	STANDARD PKG.	MAX. HANDLE LENGTH	MAX HANDLE WIDTH	OPERATING TEMPERATURE
PSL-BV1	3/8" - 1 1/4" [9.525 - 31.75]	1	7.5" [190.5]	1.0" [25.4]	-40° F (-40° C) TO 215° F (120° C)



NOTES:  
1. MILLIMETERS  
SHOWN IN ( ).

CAD FILENAME/LAYERS 100619XK\_DC\_C10096/01D

PANDUIT CORP. TINLEY PARK, ILLINOIS

PSL-BV1 BALL VALVE LOCKOUT

REV	DATE	BY	CHK	DESCRIPTION	ECN	R	CUST	SUP
2	12-13-10	JHAC		ADDED OPERATING TEMPERATURES AND MAX HANDLE WIDTH	6256			
1	2/6/08	RVU		.312 [7.92] DIA. WAS .285 [7.24], .312 [7.92] WAS .30 [7.62], 3.1 [78.74] WAS 3.0 [76.20], 3.25 [82.55] WAS 3.50 [88.90]. CHANGED TABLE, VALVE SIZE. REMOVED P/N: PSL-BV2.	5282	R		
0	1-24-06	RVU	DWY	ADDED PANTONE COLOR #.	4335	R		
R	9-12-03	RVU	DWY	DRAWING RELEASE	3399	R		

UNLESS OTHERWISE SPECIFIED, DIMENSIONAL TOLERANCES ARE: (.X) ± (.XXX) ± (.XX) ± ANGLES ±		UNLESS OTHERWISE SPECIFIED, ALL DIMENSIONS ARE GIVEN IN INCHES, THIRD ANGLE PROJECTION.	
DRAWN BY RVU	MAT'L: RED POLYPROPYLENE PANTONE PMS 186	SCALE NTS	
DATE 9-12-03	CHK'D <i>[Signature]</i>	DRAWING NO. C10096	DWG A SIZE