



Chipsmall Limited consists of a professional team with an average of over 10 year of expertise in the distribution of electronic components. Based in Hongkong, we have already established firm and mutual-benefit business relationships with customers from,Europe,America and south Asia,supplying obsolete and hard-to-find components to meet their specific needs.

With the principle of “Quality Parts,Customers Priority,Honest Operation,and Considerate Service”,our business mainly focus on the distribution of electronic components. Line cards we deal with include Microchip,ALPS,ROHM,Xilinx,Pulse,ON,Everlight and Freescale. Main products comprise IC,Modules,Potentiometer,IC Socket,Relay,Connector.Our parts cover such applications as commercial,industrial, and automotives areas.

We are looking forward to setting up business relationship with you and hope to provide you with the best service and solution. Let us make a better world for our industry!



Contact us

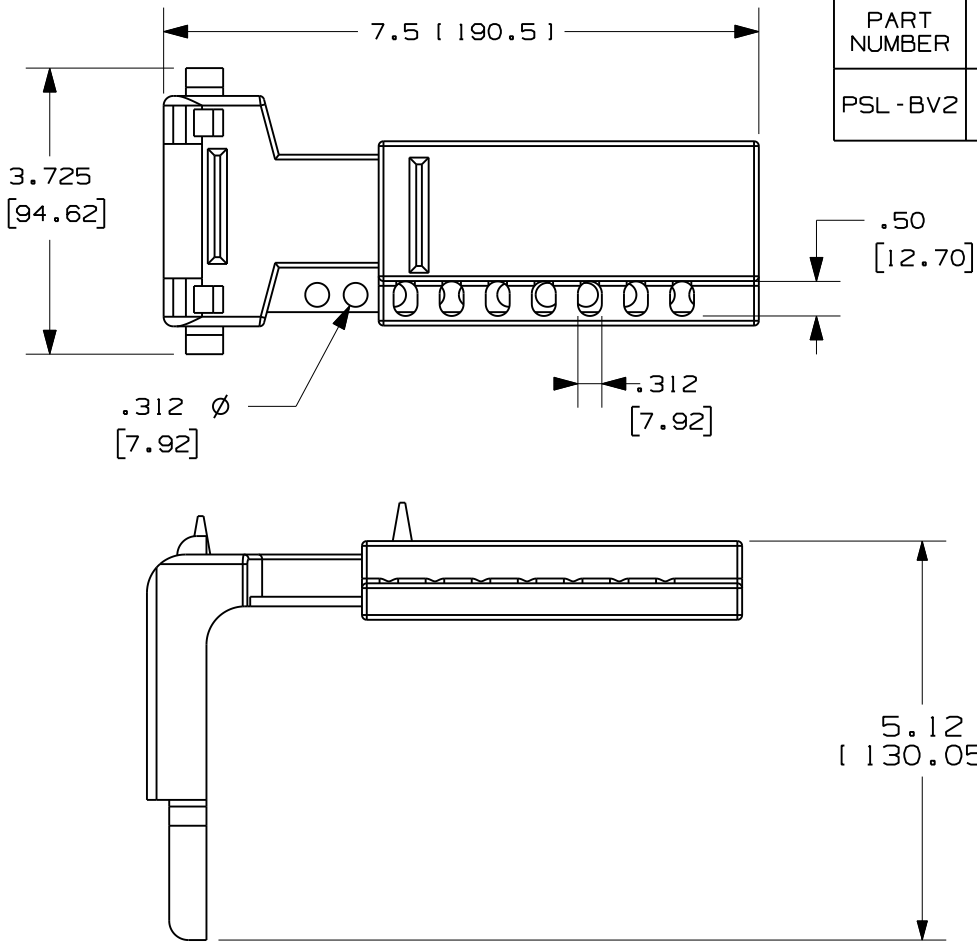
Tel: +86-755-8981 8866 Fax: +86-755-8427 6832

Email & Skype: info@chipsmall.com Web: www.chipsmall.com

Address: A1208, Overseas Decoration Building, #122 Zhenhua RD., Futian, Shenzhen, China



THIS COPY IS PROVIDED ON A RESTRICTED BASIS AND IS NOT TO BE USED IN ANY WAY DETRIMENTAL TO THE INTERESTS OF PANDUIT CORP.



PART NUMBER	VALVE SIZE in. [mm]	STANDARD PKG.	MAX. HANDLE LENGTH	MAX HANDLE WIDTH	OPERATING TEMPERATURE
PSL-BV2	1 1/1" - 2 1/2" [38.1 - 68.5]	1	10" [254.0]	1.0" [25.4]	-40° F (-40° C) TO 215° F (120° C)



NOTES:
1. MILLIMETERS
SHOWN IN ().

CAD FILENAME/LAYERS 100923CM_DC_C10644/00B

PANDUIT CORP. TINLEY PARK, ILLINOIS

PSL-BV2 BALL VALVE LOCKOUT

UNLESS OTHERWISE SPECIFIED,
DIMENSIONAL TOLERANCES ARE:
(.X) ± (.XXX) ±
(.XX) ± ANGLES ±

UNLESS OTHERWISE SPECIFIED,
ALL DIMENSIONS ARE GIVEN
IN INCHES, THIRD ANGLE PROJECTION.

REV	DATE	BY	CHK	DESCRIPTION	ECN	R	CUST	SUP
I	12-13-10	JHAC	<i>Mae</i>	ADDED OPERATING TEMPERATURES AND MAX HANDLE WIDTH	6256			
R	2/11/08	RVU		DRAWING RELEASE	5330	R		

DRAWN BY
RVU
DATE
9-12-03
CHK' C
Mae

MAT'L:
RED
POLYPROPYLENE
PANTONE PMS 186

SCALE
NTS
DRAWING NO.
C10644
DWG
A
SIZE