



Chipsmall Limited consists of a professional team with an average of over 10 year of expertise in the distribution of electronic components. Based in Hongkong, we have already established firm and mutual-benefit business relationships with customers from,Europe,America and south Asia,supplying obsolete and hard-to-find components to meet their specific needs.

With the principle of "Quality Parts,Customers Priority,Honest Operation,and Considerate Service",our business mainly focus on the distribution of electronic components. Line cards we deal with include Microchip,ALPS,ROHM,Xilinx,Pulse,ON,Everlight and Freescale. Main products comprise IC,Modules,Potentiometer,IC Socket,Relay,Connector.Our parts cover such applications as commercial,industrial, and automotives areas.

We are looking forward to setting up business relationship with you and hope to provide you with the best service and solution. Let us make a better world for our industry!



Contact us

Tel: +86-755-8981 8866 Fax: +86-755-8427 6832

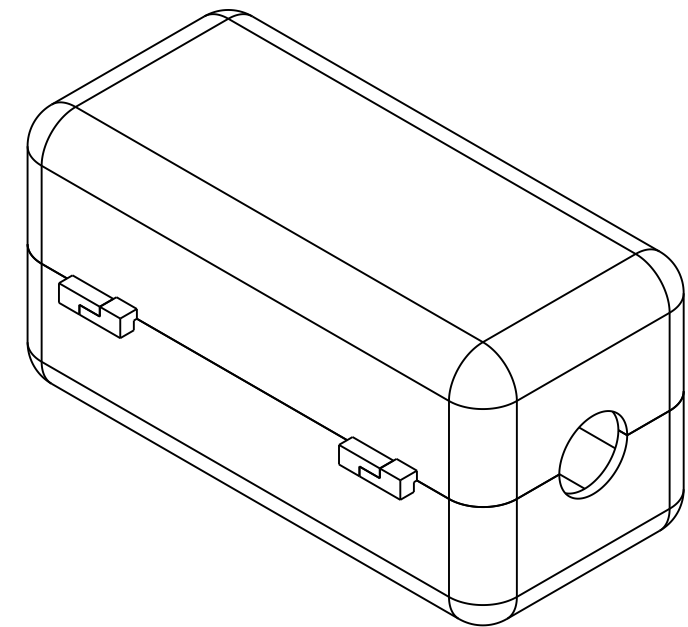
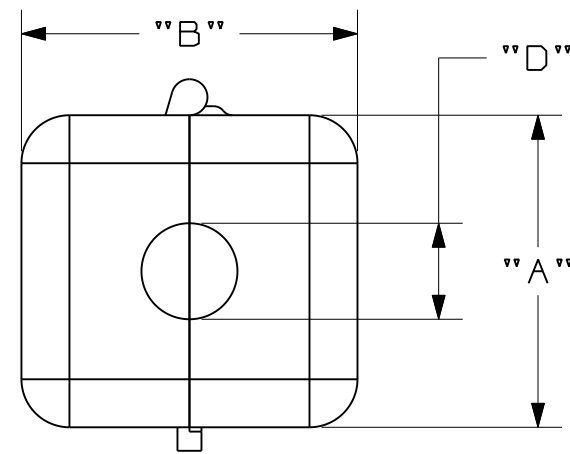
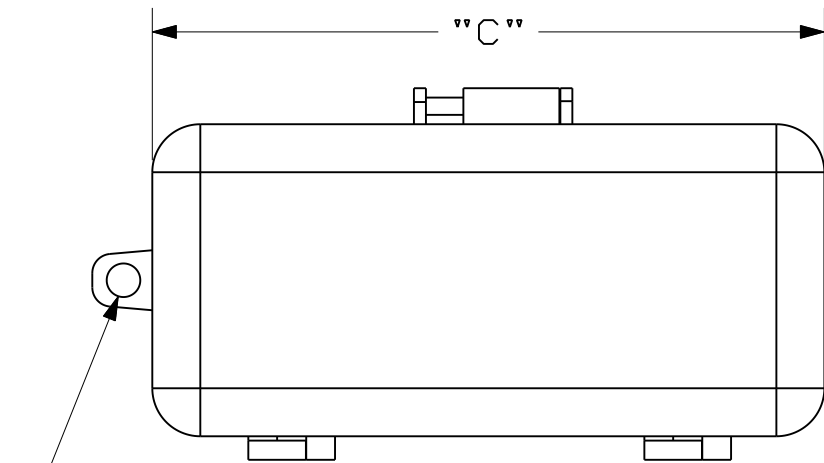
Email & Skype: info@chipsmall.com Web: www.chipsmall.com

Address: A1208, Overseas Decoration Building, #122 Zhenhua RD., Futian, Shenzhen, China



THIS COPY IS PROVIDED ON A RESTRICTED BASIS AND IS NOT TO BE USED IN ANY WAY DETRIMENTAL TO THE INTERESTS OF PANDUIT CORP.

PART NUMBER	DESCRIPTION	INSIDE DIM. IN. (mm)	"A"	"B"	"C"	DIA. DIM. IN (mm) "D"	STANDARD PKG.
PSL-CL110	LOCKOUT FOR 120 VOLT AC CORD	1.73 X 1.73 X 3.23 [44.0 X 44.0 X 82.0]	2.00 [50.8]	2.00 [50.8]	3.5 [88.9]	0.50 [12.7]	1



HOLES ACCOMMODATE LOCK WITH .35" [8.8mm] DIA. OR SMALLER SHACKLES.

NOTES:
1. MILLIMETERS SHOWN IN [].



REV	DATE	BY	CHK	DESCRIPTION	ECN	R	CUST	SUP
3	1/31/08	RVU		REMOVE P/N, PSL-CL480. REPLACE PSL CL CORD LOCKOUT TO PSL-CL110 ON TITLE AREA. Ø.35" [8.8mm] WAS Ø.38" [10mm]. REMOVED NOTE 2.	5274	R		
2	1-24-06	RVU	DWY	ADDED PANTONE COLOR #.	4335	R		
1	9-8-05	RVU	DWY	PART NO. IN TITLE BLCOK WAS PSL-CL.	4167	R		
R	9-10-03	RVU	DWY	DRAWING RELEASE	3399	R		

CAD FILENAME/LAYERS 100619XJ_C10095_PSL-CL_03.prt

PANDUIT CORP TINLEY PARK, ILLINOIS

PSL-CL110

UNLESS OTHERWISE SPECIFIED, DIMENSIONAL TOLERANCES ARE:
 (.X) ± .050 (.XXX) ± .015
 (.XX) ± .032 ANGLES ±

UNLESS OTHERWISE SPECIFIED, ALL DIMENSIONS ARE GIVEN IN INCHES, THIRD ANGLE PROJECTION

SCALE NTS

DRAWN BY RVU MAT'L: POLYPROPYLENE, RED PANTONE PMS 186

DATE 9-10-03

CHK'D

DRAWING NO. C10095 DWG SIZE B