



Chipsmall Limited consists of a professional team with an average of over 10 year of expertise in the distribution of electronic components. Based in Hongkong, we have already established firm and mutual-benefit business relationships with customers from,Europe,America and south Asia,supplying obsolete and hard-to-find components to meet their specific needs.

With the principle of “Quality Parts,Customers Priority,Honest Operation,and Considerate Service”,our business mainly focus on the distribution of electronic components. Line cards we deal with include Microchip,ALPS,ROHM,Xilinx,Pulse,ON,Everlight and Freescale. Main products comprise IC,Modules,Potentiometer,IC Socket,Relay,Connector.Our parts cover such applications as commercial,industrial, and automotives areas.

We are looking forward to setting up business relationship with you and hope to provide you with the best service and solution. Let us make a better world for our industry!



## Contact us

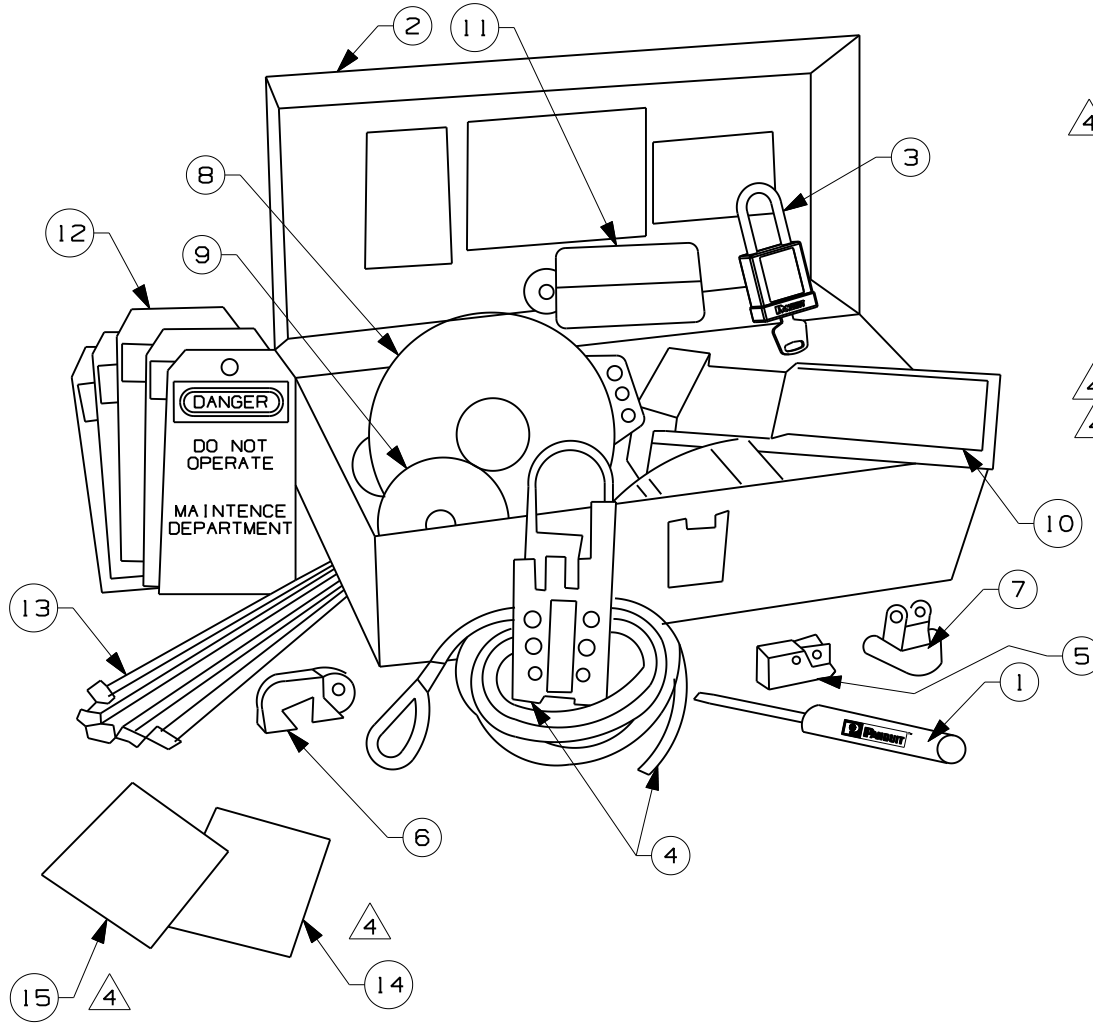
Tel: +86-755-8981 8866 Fax: +86-755-8427 6832

Email & Skype: info@chipsmall.com Web: www.chipsmall.com

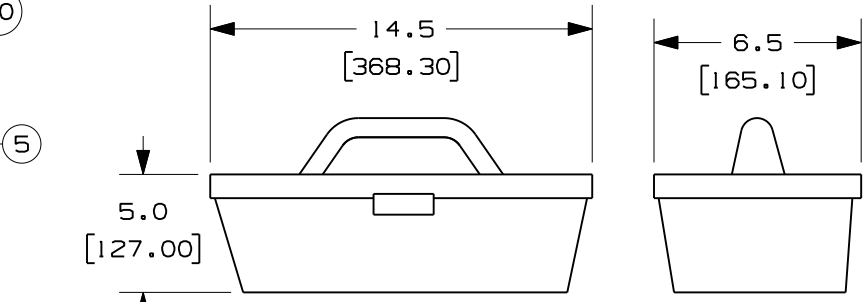
Address: A1208, Overseas Decoration Building, #122 Zhenhua RD., Futian, Shenzhen, China



THIS COPY IS PROVIDED ON A RESTRICTED BASIS AND IS NOT TO BE USED IN ANY WAY DETRIMENTAL TO THE INTERESTS OF PANDUIT CORP.



ITEM NO.	QTY. (PCS.)	PART NO.	DESCRIPTION
1	1	GMSDCOM	PANDUIT SCREWDRIVER
2	1	PSL-BX	CARRYING CASE
3	3	PSL-BRD	Plastic Body Podlock, Red
4	1	PSL-MLD	WIP PSL-MLD
5	2	PSL-WS	WALL SWITCH LOCKOUTS
6	2	PSL-CBNT	CIRCUIT BREAKER
7	2	PSL-P	PLUG LOCKOUT DEVICE
8	1	PSL-V6A	GATE VALVE LOCKOUT - 5.0" [127 mm]
9	1	PSL-V2A	GATE VALVE LOCKOUT - 2.5" [64 mm]
10	1	PSL-BV2	BALL VALVE LOCKOUT - 3.0" [76 mm]
11	1	PSL-CL110	PSL-CL110 110V PLUG LOCKOUT
12	10	PVT-44	"DO NOT OPERATE" MAINTENANCE TAGS
13	10	PLT2S	NYLON CABLE TIES
14	1	GMPSL-INMLD	INSTRUCTION SHEET
15	1	GMPSL-INI	INSTRUCTION SHEET



PSL-BX  
PLASTIC CARRYING CASE

CAD FILENAME/LAYERS		100619CX-DC-C10387/04E	
<h1>PANDUIT</h1> CORP. TINLEY PARK, ILLINOIS			
CUSTOMER DRAWING PSL-KT-MROA LOCKOUT KIT			
UNLESS OTHERWISE SPECIFIED, DIMENSIONAL TOLERANCES ARE:		UNLESS OTHERWISE SPECIFIED, ALL DIMENSIONS ARE GIVEN IN INCHES, THIRD ANGLE PROJECTION.	
(.X) ± (.XX) ±		(.XXX) ± ANGLES ±	
DRAWN BY RVU	MAT'L:  //	SCALE NTS	
DATE 10-18-05	CHK'D	DRAWING NO. C10387	DWG A SIZE

REV	DATE	BY	CHK	DESCRIPTION	ECN	R	CUST	SUP
4	11/11/09	RVU		PSL-8 WAS PSL-3RED-LS. ADD LEADERS 15 AND 16 FOR GMPSL-INMLD, AND PSL-INI.	5905	R		
3	02-05-08	RVU		PSL-PLIREDY ADDED.	5279	R		
2	12-10-07	RVU		PSL-3RED-LS WAS PSL-5RED-LS.	5230	R		
1	9-13-06	RVU		MISC. REVISION.	4659	R		
0	10-18-05	RVU		<del>BEFORE</del> BEING RELEASE.	4258	R		