



Chipsmall Limited consists of a professional team with an average of over 10 year of expertise in the distribution of electronic components. Based in Hongkong, we have already established firm and mutual-benefit business relationships with customers from,Europe,America and south Asia,supplying obsolete and hard-to-find components to meet their specific needs.

With the principle of “Quality Parts,Customers Priority,Honest Operation,and Considerate Service”,our business mainly focus on the distribution of electronic components. Line cards we deal with include Microchip,ALPS,ROHM,Xilinx,Pulse,ON,Everlight and Freescale. Main products comprise IC,Modules,Potentiometer,IC Socket,Relay,Connector.Our parts cover such applications as commercial,industrial, and automotives areas.

We are looking forward to setting up business relationship with you and hope to provide you with the best service and solution. Let us make a better world for our industry!



## Contact us

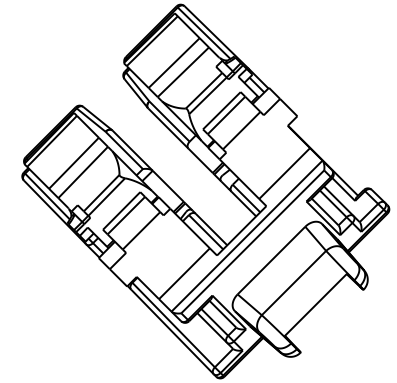
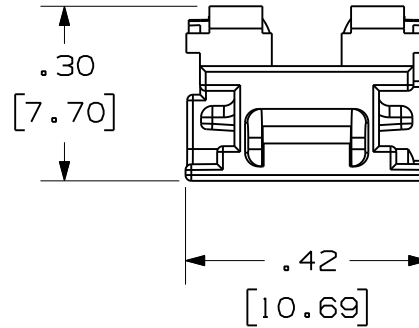
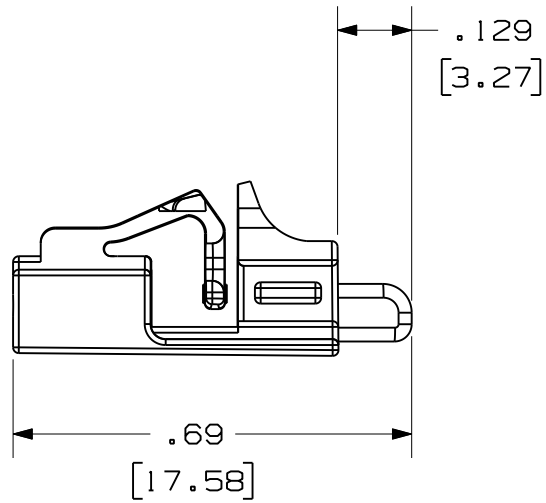
Tel: +86-755-8981 8866 Fax: +86-755-8427 6832

Email & Skype: info@chipsmall.com Web: www.chipsmall.com

Address: A1208, Overseas Decoration Building, #122 Zhenhua RD., Futian, Shenzhen, China



THIS COPY IS PROVIDED ON A RESTRICTED BASIS AND IS NOT TO BE USED IN ANY WAY DETRIMENTAL TO THE INTERESTS OF PANDUIT CORP.



NOTES

1. COMPATIBLE WITH MOST FOCIS-10 DUPLEX ADAPTERS
2. DIMENSIONS IN [ ] ARE MILLIMETERS
3. AVAILABLE IS THE FOLLOWING COLORS

PART NUMBER	COLOR
PSL-LCAB	RED
PSL-LCAB-BL	BLACK
PSL-LCAB-BU	BLUE
PSL-LCAB-EI	BEIGE/ ELECTRIC IVORY
PSL-LCAB-AQ	AQUA

4. STANDARD PACK CONSISTS OF 10 DEVICES AND 1 REMOVAL TOOL
5. ADD "-C" TO PART NUMBER FOR BULK PACKAGE (100 DEVICES AND 5 REMOVAL TOOLS)

CAD FILENAME/LAYERS 100910EC\_DC\_C10767/03A

REV	DATE	BY	CHK	DESCRIPTION	ECN	R	CUST	SUP
0	3/16/09	JHAC		DRAWING RELEASE	5407	R		

PANDUIT

CORP. TINLEY PARK, ILLINOIS

PSL-LCAB  
LC DUPLEX ADAPTER BLOCKOUT  
CUSTOMER DRAWING

UNLESS OTHERWISE SPECIFIED,  
DIMENSIONAL TOLERANCES ARE:  
(.X) ± .1 (.XXX) ± .01  
(.XX) ± .02 ANGLES ± 5°

UNLESS OTHERWISE SPECIFIED,  
ALL DIMENSIONS ARE GIVEN  
IN INCHES, THIRD ANGLE PROJECTION.

DRAWN BY: JHAC      MAT'L: POLYCARBONATE      SCALE: 3:1

DATE: 03/16/09      DRAWING NO. C10767      DWG SIZE: A

CHK'D:      C10767      A