



Chipsmall Limited consists of a professional team with an average of over 10 year of expertise in the distribution of electronic components. Based in Hongkong, we have already established firm and mutual-benefit business relationships with customers from,Europe,America and south Asia,supplying obsolete and hard-to-find components to meet their specific needs.

With the principle of “Quality Parts,Customers Priority,Honest Operation,and Considerate Service”,our business mainly focus on the distribution of electronic components. Line cards we deal with include Microchip,ALPS,ROHM,Xilinx,Pulse,ON,Everlight and Freescale. Main products comprise IC,Modules,Potentiometer,IC Socket,Relay,Connector.Our parts cover such applications as commercial,industrial, and automotives areas.

We are looking forward to setting up business relationship with you and hope to provide you with the best service and solution. Let us make a better world for our industry!



Contact us

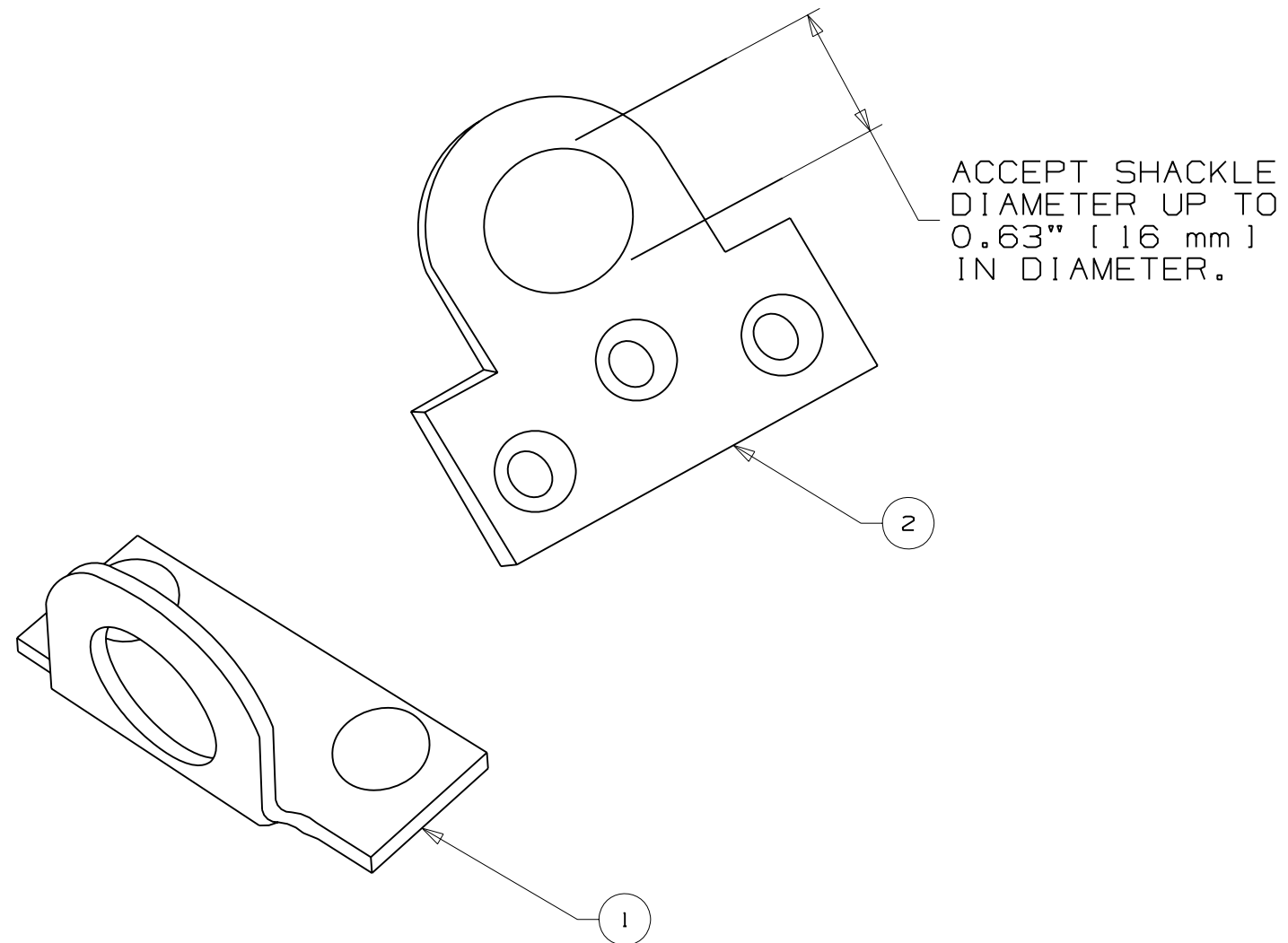
Tel: +86-755-8981 8866 Fax: +86-755-8427 6832

Email & Skype: info@chipsmall.com Web: www.chipsmall.com

Address: A1208, Overseas Decoration Building, #122 Zhenhua RD., Futian, Shenzhen, China



ITEM NO.	PART NUMBER	PART DESCRIPTION	STD. PKG. QTY.	STD. CTN. QTY.
1	PSL-PE1	PADLOCK EYES, ANGLED (METAL MOUNTING SCREWS INCLUDED)	1	10
2	PSL-PE2	PADLOCK EYES, STRAIGHT (WOOD MOUNTING SCREWS INCLUDED)	1	10



CAD FILENAME/LAYERS 100619DQ_C10445_PSL-PE1_00.prt

PANDUIT CORP TINLEY PARK, ILLINOIS

**CUSTOMER DRAWING
PADLOCK EYES**

UNLESS OTHERWISE SPECIFIED,
DIMENSIONAL TOLERANCES ARE:
(.X) ± .03 (,.XXX) ± .010
(.XX) ± .015 ANGLES ±

UNLESS OTHERWISE SPECIFIED,
ALL DIMENSIONS ARE GIVEN IN
INCHES, THIRD ANGLE PROJECTION

DRAWN BY RVU

MAT'L: .13" (3.00 mm) HARD WROUGHT STEEL

SCALE NTS

DATE 8-18-06

CHK'D

DRAWING NO. C10445

DWG SIZE B

REV	DATE	BY	CHK	DESCRIPTION	ECN	R	CUST	SUP
0	8-18-06	RVU		DRAWING RELEASE	4659	R		