



Chipsmall Limited consists of a professional team with an average of over 10 year of expertise in the distribution of electronic components. Based in Hongkong, we have already established firm and mutual-benefit business relationships with customers from,Europe,America and south Asia,supplying obsolete and hard-to-find components to meet their specific needs.

With the principle of "Quality Parts,Customers Priority,Honest Operation,and Considerate Service",our business mainly focus on the distribution of electronic components. Line cards we deal with include Microchip,ALPS,ROHM,Xilinx,Pulse,ON,Everlight and Freescale. Main products comprise IC,Modules,Potentiometer,IC Socket,Relay,Connector.Our parts cover such applications as commercial,industrial, and automotives areas.

We are looking forward to setting up business relationship with you and hope to provide you with the best service and solution. Let us make a better world for our industry!



Contact us

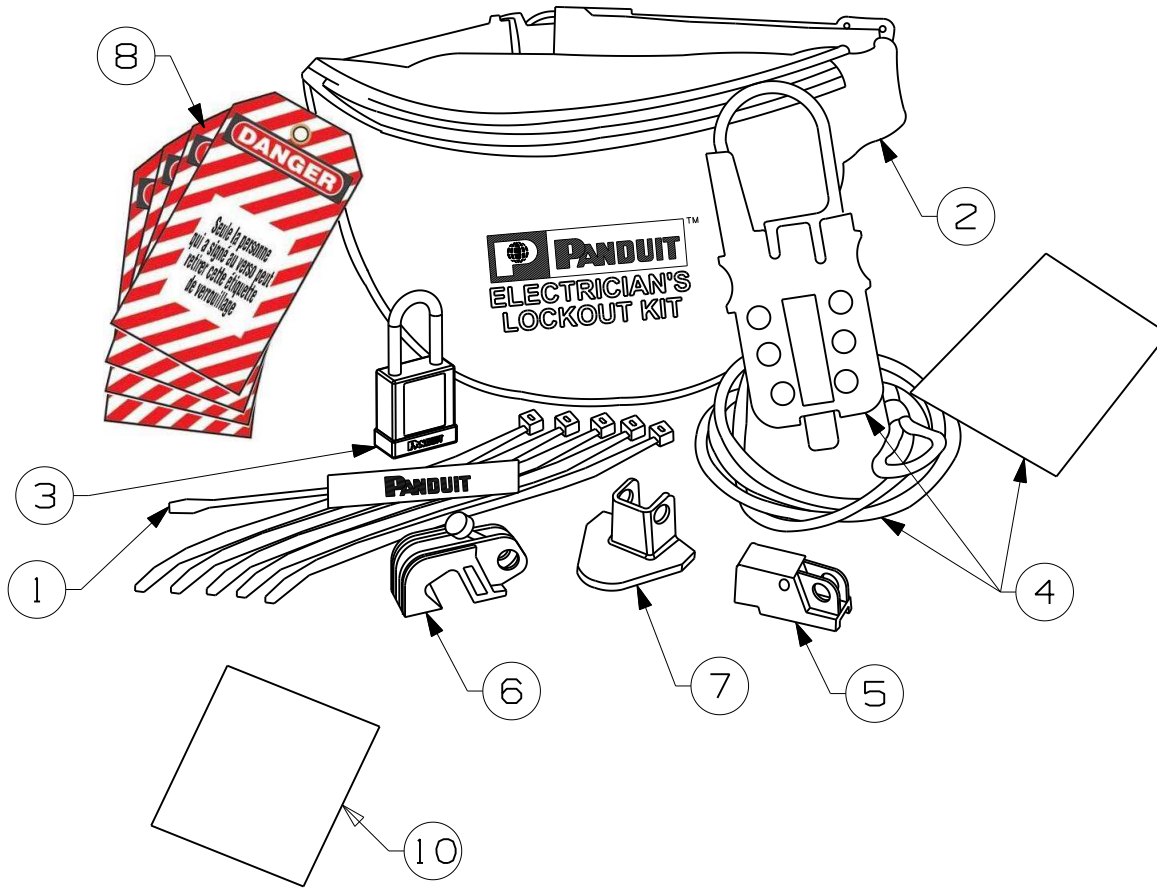
Tel: +86-755-8981 8866 Fax: +86-755-8427 6832

Email & Skype: info@chipsmall.com Web: www.chipsmall.com

Address: A1208, Overseas Decoration Building, #122 Zhenhua RD., Futian, Shenzhen, China



THIS COPY IS PROVIDED ON A RESTRICTED BASIS AND IS NOT TO BE USED IN ANY WAY DETRIMENTAL TO THE INTERESTS OF PANDUIT CORP.



ITEM NO.	QTY. (PCS.)	PART NO.	DESCRIPTION
1	1	GMSOCOM	PANDUIT SCREWDRIVER
2	1	PSL-PK	POUCH
3	1	PSL-8RD	RED PLASTIC BODY PADLOCK
4	1	PSL-MLD	PSL-MLD MULTIPLE LOCKOUT HASP, 6' VINYL COATED CABLE AND INSTRUCTION SHEET
5	1	PSL-WS	WALL SWITCH LOCKOUT DEVICE
6	1	PSL-CBNT	"NO TOOL" UNIVERSAL CIRCUIT BREAKER LOCKOUT DEVICE
7	1	PSL-P	PLUG LOCKOUT DEVICE
8	5	PVT-98-F	SAFETY TAG FRENCH
9	5	PLT2S	NYLON CABLE TIE
10	1	GMPSL-INKT	INSTRUCTION SHEET

CAD FILENAME/LAYERS 100824BE-DC-C10913/00A

PANDUIT CORP. TINLEY PARK, ILLINOIS
 CUSTOMER DRAWING
 PSL-PK-EA-F
 FRENCH ELECTRICIAN LOCKOUT KIT

UNLESS OTHERWISE SPECIFIED,
 DIMENSIONAL TOLERANCES ARE:
 (.X) ± (.XXX) ±
 (.XX) ± ANGLES ±

UNLESS OTHERWISE SPECIFIED,
 ALL DIMENSIONS ARE GIVEN
 IN INCHES, THIRD ANGLE PROJECTION.

DRAWN BY
 RVU

MAT'L:

SCALE NTS

DATE
 5/20/11

DRAWING NO.
 C10913

CHK'D

DWG
 A
 SIZE

REV	DATE	BY	CHK	DESCRIPTION	ECN	R	CUST	SUP
0	5/20/11	RVU		DRAWING RELEASE.	6390	R		