



Chipsmall Limited consists of a professional team with an average of over 10 year of expertise in the distribution of electronic components. Based in Hongkong, we have already established firm and mutual-benefit business relationships with customers from,Europe,America and south Asia,supplying obsolete and hard-to-find components to meet their specific needs.

With the principle of “Quality Parts,Customers Priority,Honest Operation,and Considerate Service”,our business mainly focus on the distribution of electronic components. Line cards we deal with include Microchip,ALPS,ROHM,Xilinx,Pulse,ON,Everlight and Freescale. Main products comprise IC,Modules,Potentiometer,IC Socket,Relay,Connector.Our parts cover such applications as commercial,industrial, and automotives areas.

We are looking forward to setting up business relationship with you and hope to provide you with the best service and solution. Let us make a better world for our industry!



Contact us

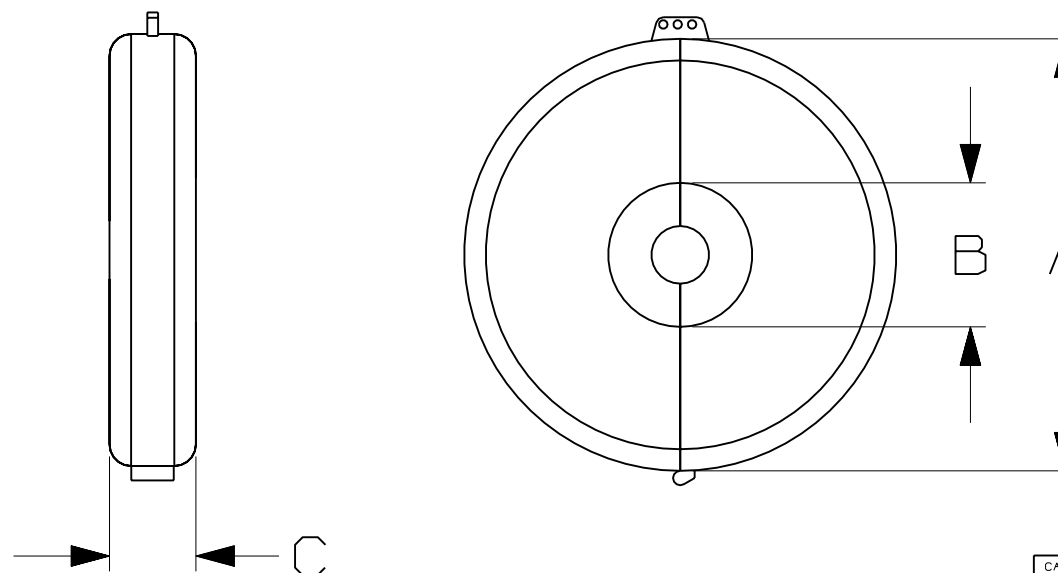
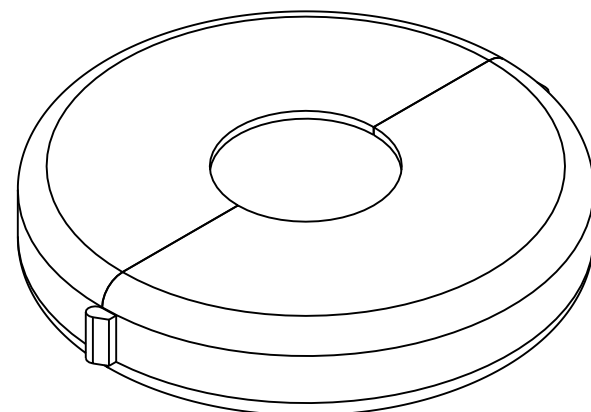
Tel: +86-755-8981 8866 Fax: +86-755-8427 6832

Email & Skype: info@chipsmall.com Web: www.chipsmall.com

Address: A1208, Overseas Decoration Building, #122 Zhenhua RD., Futian, Shenzhen, China



PART NUMBER	COLOR	VALVE HANDLE SIZE in. (mm)	DIM. "A" in. [mm]	DIM "B" in. [mm]	DIM "C" in. [mm]	STANDARD PKG.
PSL-V9	RED	6.5-10.0 [165 to 254]	10.5 [266.7]	3.5 [88.9]	2.25 [57.15]	1
PSL-V13	RED	10.0-13.0 [254 to 330]	14.5 [368.3]	4.0 [101.6]	2.75 [69.85]	1
PSL-V2A	RED	1.0-2.5 [25 to 63.5]	3.5 [89.0]	.75 [19.05]	1.25 [31.8]	1
PSL-V6A	RED	2.5-6.5 [63.5 to 165]	7.0 [177.8]	2.0 [50.8]	1.75 [44.45]	1



SIMILAR TO C10094

CAD FILENAME/LAYERS I00619X1_C10401_JAPAN_PSL-V_00.prt

- NOTES:
 1. MILLIMETERS SHOWN IN ().
 2. COLOR REQUIREMENT.

REV	DATE	BY	CHK	DESCRIPTION	ECN	R	CUST	SUP
0	3-29-06	RVU		ISSUE JAPAN CUSTOMER DWG.	4429	R		

PANDUIT CORP TINLEY PARK, ILLINOIS	
PSL-V*** GATE VALVE LOCKOUTS	
UNLESS OTHERWISE SPECIFIED, DIMENSIONAL TOLERANCES ARE: (.X) ± .032 (.XXX) ± .010 (.XX) ± .015 ANGLES ±	UNLESS OTHERWISE SPECIFIED, ALL DIMENSIONS ARE GIVEN IN INCHES, THIRD ANGLE PROJECTION
DRAWN BY RVU	MAT'L: POLYPROPYLENE, RED PANTONE PMS 186
DATE 9-9-03	SCALE NTS
CHK'D	DRAWING NO. C10401
	DWG SIZE B