



Chipsmall Limited consists of a professional team with an average of over 10 year of expertise in the distribution of electronic components. Based in Hongkong, we have already established firm and mutual-benefit business relationships with customers from,Europe,America and south Asia,supplying obsolete and hard-to-find components to meet their specific needs.

With the principle of “Quality Parts,Customers Priority,Honest Operation,and Considerate Service”,our business mainly focus on the distribution of electronic components. Line cards we deal with include Microchip,ALPS,ROHM,Xilinx,Pulse,ON,Everlight and Freescale. Main products comprise IC,Modules,Potentiometer,IC Socket,Relay,Connector.Our parts cover such applications as commercial,industrial, and automotives areas.

We are looking forward to setting up business relationship with you and hope to provide you with the best service and solution. Let us make a better world for our industry!



## Contact us

Tel: +86-755-8981 8866 Fax: +86-755-8427 6832

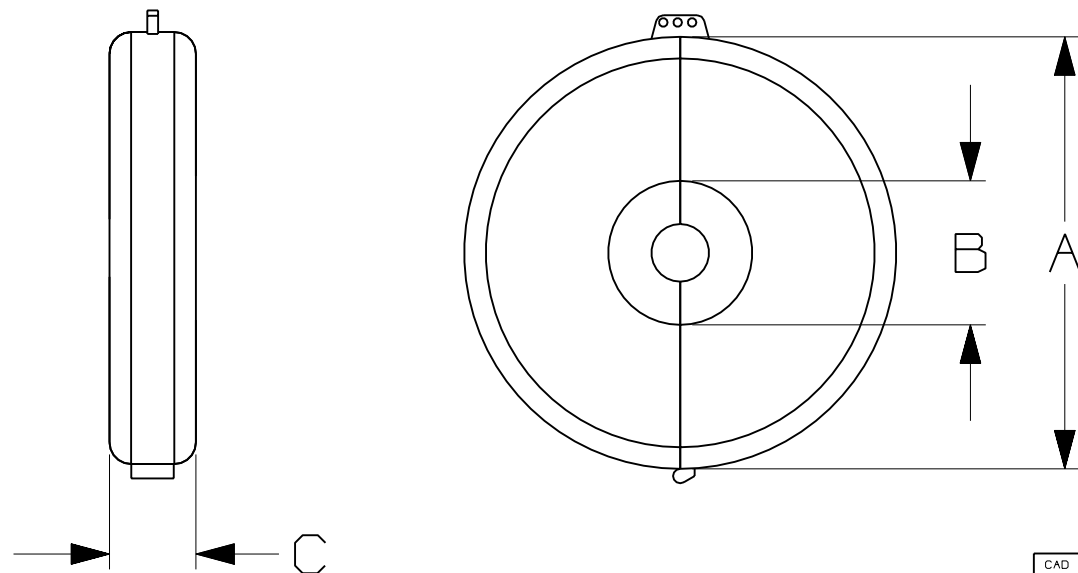
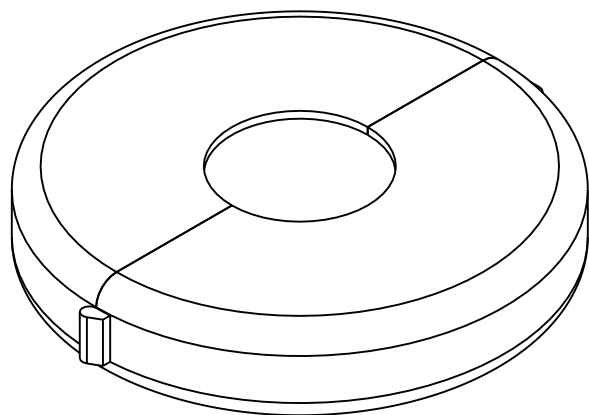
Email & Skype: info@chipsmall.com Web: www.chipsmall.com

Address: A1208, Overseas Decoration Building, #122 Zhenhua RD., Futian, Shenzhen, China



PART NUMBER	COLOR	VALVE HANDLE SIZE in. (mm)	DIM. "A" in. (mm)	DIM "B" in. (mm)	DIM "C" in. (mm)	STANDARD PKG.
PSL-V2BLU	BLUE	1.0-3.0 (25 to 76)	3.5 (88.9)	.75 (19.05)	1.25 (31.8)	1
PSL-V2GRN	GREEN	1.0-3.0 (25 to 76)	3.5 (88.9)	.75 (19.05)	1.25 (31.8)	1
PSL-V2YEL	YELLOW	1.0-3.0 (25 to 76)	3.5 (88.9)	.75 (19.05)	1.25 (31.8)	1
PSL-V6BLU	BLUE	3.0-6.5 (76 to 165)	7.0 (177.8)	2.0 (50.8)	1.75 (44.45)	1
PSL-V6GRN	GREEN	3.0-6.5 (76 to 165)	7.0 (177.8)	2.0 (50.8)	1.75 (44.45)	1
PSL-V6YEL	YELLOW	3.0-6.5 (76 to 165)	7.0 (177.8)	2.0 (50.8)	1.75 (44.45)	1
PSL-V9	RED	6.5-10.0 (165 to 254)	10.5 (266.7)	3.5 (88.9)	2.25 (57.15)	1
PSL-V9YEL	YELLOW	6.5-10.0 (165 to 254)	10.5 (266.7)	3.5 (88.9)	2.25 (57.15)	1
PSL-V13	RED	10.0-13.0 (254 to 330)	14.5 (368.3)	4.0 (101.6)	2.75 (69.85)	1
PSL-V13YEL	YELLOW	10.0-13.0 (254 to 330)	14.5 (368.3)	4.0 (101.6)	2.75 (69.85)	1
PSL-V2A	RED	1.0-2.5 (25 to 63.5)	3.5 (89.0)	.75 (19.05)	1.25 (31.8)	1
PSL-V6A	RED	2.5-6.5 (63.5 to 165)	7.0 (177.8)	2.0 (50.8)	1.75 (44.45)	1

3



SIMILAR TO C10401

NOTES:  
 1. MILLIMETERS SHOWN IN ( ).  
 2. COLOR REQUIREMENT.

REV	DATE	BY	CHK	DESCRIPTION	ECN	R	CUST	SUP
3	3-29-06	RVU		PSL-V2A: 1-2.5 WAS 1-3. PSL-V6A: 2.5-6.5 WAS 3.0-6.5.	4429	R		
2	1-24-06	RVU		ADDED PANTONE COLOR #.	4335	R		
1	9-8-05	RVU	DWY	PART NO.'S PSL-V2, PSL-V4, AND PSL-V6 OBSOLETE. ADDED PART NO.'S PSL-V2A AND PSL-V6A.	4168	R		
R	9-9-03	RVU	DWY	DRAWING RELEASE	3399	R		

CAD FILENAME/LAYERS 100619X1\_C10094\_PSL-V\_00.prt

**PANDUIT** CORP TINLEY PARK, ILLINOIS  
 PSL-V\*\*\* GATE VALVE LOCKOUTS

UNLESS OTHERWISE SPECIFIED,  
 DIMENSIONAL TOLERANCES ARE:  
 (.X) ± .032 (.XXX) ± .010  
 (.XX) ± .015 ANGLES ±

UNLESS OTHERWISE SPECIFIED,  
 ALL DIMENSIONS ARE GIVEN IN  
 INCHES, THIRD ANGLE PROJECTION

DRAWN BY RVU

MAT'L:

SCALE NTS

DATE 9-9-03

POLYPROPYLENE, RED  
 PANTONE PMS 186

DRAWING NO.

C10094

DWG

B

SIZE