



Chipsmall Limited consists of a professional team with an average of over 10 year of expertise in the distribution of electronic components. Based in Hongkong, we have already established firm and mutual-benefit business relationships with customers from,Europe,America and south Asia,supplying obsolete and hard-to-find components to meet their specific needs.

With the principle of “Quality Parts,Customers Priority,Honest Operation,and Considerate Service”,our business mainly focus on the distribution of electronic components. Line cards we deal with include Microchip,ALPS,ROHM,Xilinx,Pulse,ON,Everlight and Freescale. Main products comprise IC,Modules,Potentiometer,IC Socket,Relay,Connector.Our parts cover such applications as commercial,industrial, and automotives areas.

We are looking forward to setting up business relationship with you and hope to provide you with the best service and solution. Let us make a better world for our industry!



Contact us

Tel: +86-755-8981 8866 Fax: +86-755-8427 6832

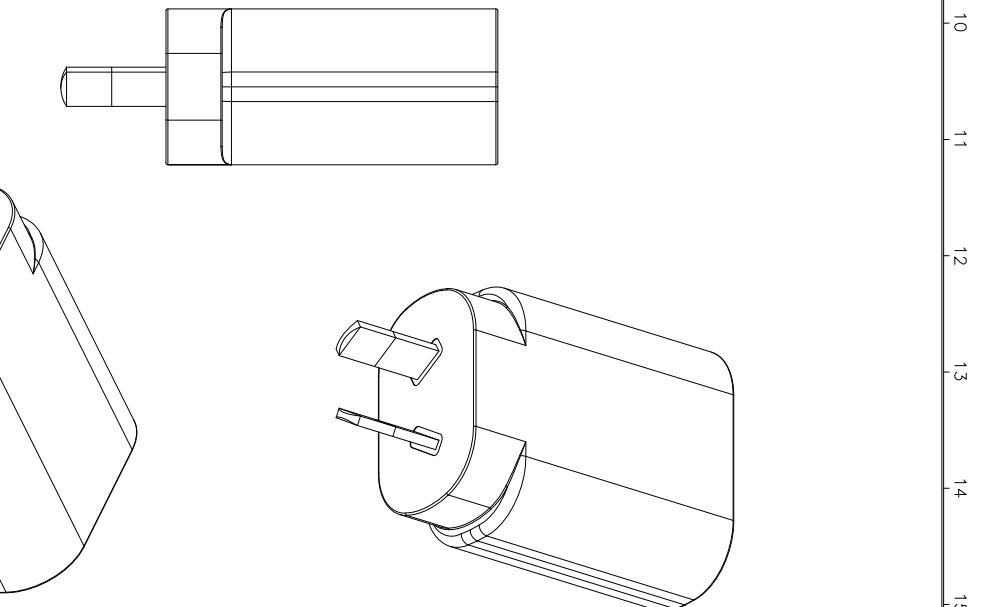
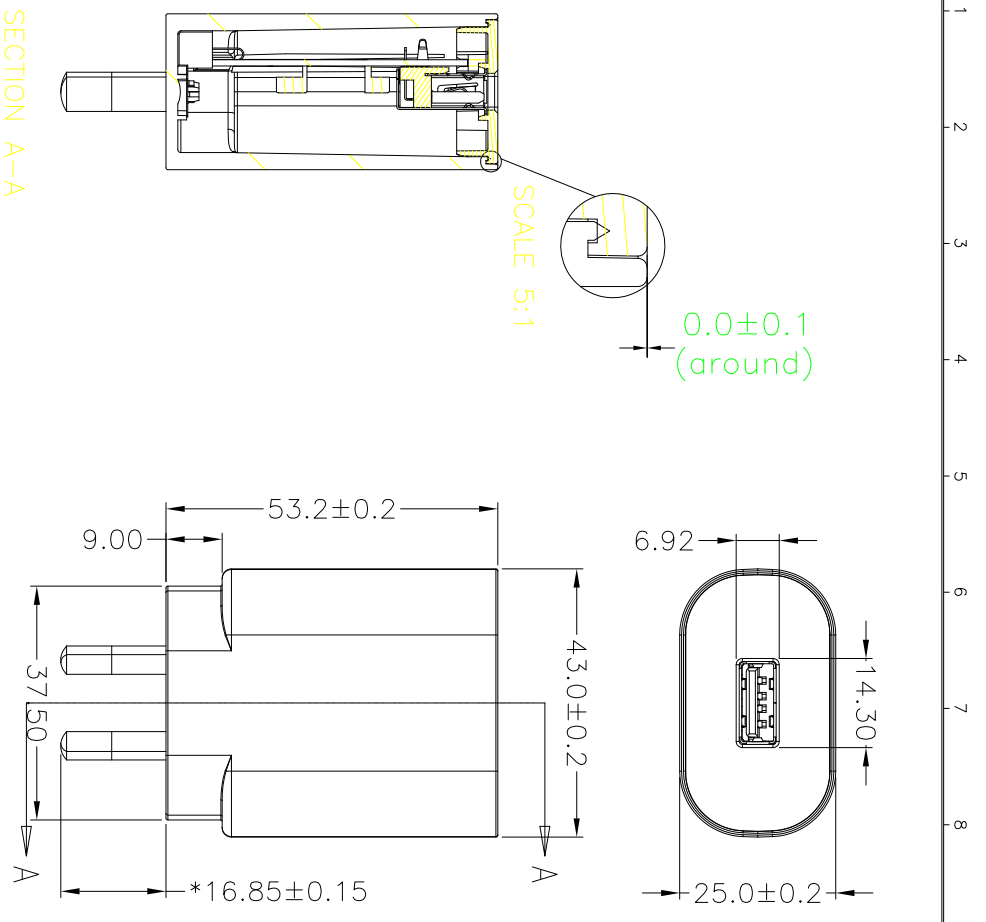
Email & Skype: info@chipsmall.com Web: www.chipsmall.com

Address: A1208, Overseas Decoration Building, #122 Zhenhua RD., Futian, Shenzhen, China



說明 GENERAL NOTES

- 1. DIMENSIONS MARKED WITH "*" INDICATE CRITICAL DIMENSIONS WHICH NEED TO BE INSPECTED IN EVERY LOT.
- 2. CPK MUST EXCEED 1.33 FOR CRITICAL PARPMENTS.
- 3. DIMENSIONS MARKED WITH "□" IS SAFETY DIMENSIONS.



長度區分 容許公差區分 (MM)

| 長度區分 RANGE | 容許公差區分 (MM) | | | |
|----------------|-------------|-------|------|-------|
| | A | B | C | D |
| 低於 8 LESS THAN | ±0.05 | ±0.1 | ±0.2 | ±0.4 |
| 8~25 | ±0.08 | ±0.15 | ±0.3 | ±0.6 |
| 25~50 | ±0.12 | ±0.25 | ±0.5 | ±1.0 |
| 50~75 | ±0.25 | ±0.4 | ±0.8 | ±1.5 |
| 75~100 | ±0.3 | ±0.6 | ±1.2 | ±2.0 |
| 100~200 | ±0.5 | ±1.0 | ±2.0 | ±3.0 |
| 200~500 | ±0.7 | ±1.5 | ±3.0 | ±5.0 |
| 500~1000 | ±1.0 | ±2.0 | ±4.0 | ±7.0 |
| 1000~ | ±1.5 | ±3.0 | ±6.0 | ±10.0 |

飛宏科技股份有限公司
TECHNOLOGY CO., LTD.

機型 MODEL
PSM03S-050Q-3-R

材質 MATERIAL

處理 TREATMENT

公差 TOLERANCE
B
MODEL OUTLINE
DIAGRAM

比例 SCALE
1.33/05/24

製圖 DRAWN
Denny L

核准 APPROVED
審核 CHECKED
設計 DESIGN
製圖 DRAWN
THIRD ANGLE PROJECTION

圖名 DESCRIPTION
料號 PART NO.
PESS66634 A

SECTION A-A

