



Chipsmall Limited consists of a professional team with an average of over 10 year of expertise in the distribution of electronic components. Based in Hongkong, we have already established firm and mutual-benefit business relationships with customers from,Europe,America and south Asia,supplying obsolete and hard-to-find components to meet their specific needs.

With the principle of “Quality Parts,Customers Priority,Honest Operation,and Considerate Service”,our business mainly focus on the distribution of electronic components. Line cards we deal with include Microchip,ALPS,ROHM,Xilinx,Pulse,ON,Everlight and Freescale. Main products comprise IC,Modules,Potentiometer,IC Socket,Relay,Connector.Our parts cover such applications as commercial,industrial, and automotives areas.

We are looking forward to setting up business relationship with you and hope to provide you with the best service and solution. Let us make a better world for our industry!



Contact us

Tel: +86-755-8981 8866 Fax: +86-755-8427 6832

Email & Skype: info@chipsmall.com Web: www.chipsmall.com

Address: A1208, Overseas Decoration Building, #122 Zhenhua RD., Futian, Shenzhen, China



NOTES:

1. MATERIAL AND FINISH (PLATING THICKNESS IN MICRO-INCHES):

BODY BERYLLIUM COPPER, ALBALOY PLATING OVER SLIVER
 CONTACT PIN BERYLLIUM COPPER, GOLD PLATING
 INSULATOR PTFE, NATURAL

2. ELECTRICAL:

A. IMPEDANCE: 50 OHM
 B. FREQUENCY RANGE: DC-10 GHz
 C. RETURN LOSS: 30 dB MIN.@ DC-2 GHz
 27 dB MIN.@ 2-4 GHz
 24 dB MIN.@ 4-6 GHz
 D. INSERTION LOSS: $0.05X\sqrt{f(\text{GHz})}$ dB MAX.

E. INSULATION RESISTANCE: 5 GOHM MIN.
 F. CENTER CONTACT RESISTANCE: 3 mOHM MAX.
 OUTER CONTACT RESISTANCE: 2 mOHM MAX.
 G. POWER HANDLING: 200 W MAX.@ 2.2 GHz AT 20°C
 H. INTERMODULATION(3rd order): 160 dBc Min. 2X43dBm

3. MECHANICAL:

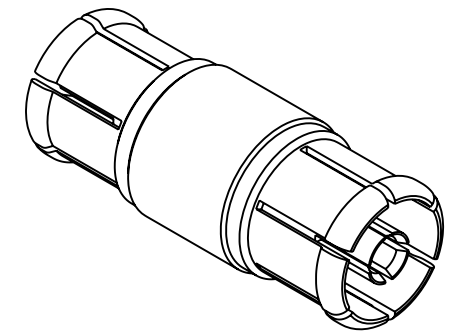
A. DURABILITY:
 IF MATING PART IS SMOOTH BORE, CATCHERS MITT: 1000 CYCLES MIN.
 IF MATING PART IS LIMITED & FULL DETENT: 100 CYCLES MIN.
 B. TEMPERATURE RANGE: -65°C TO +165°C

4. ALL MATERIALS MUST BE "RoHS" COMPLIANT

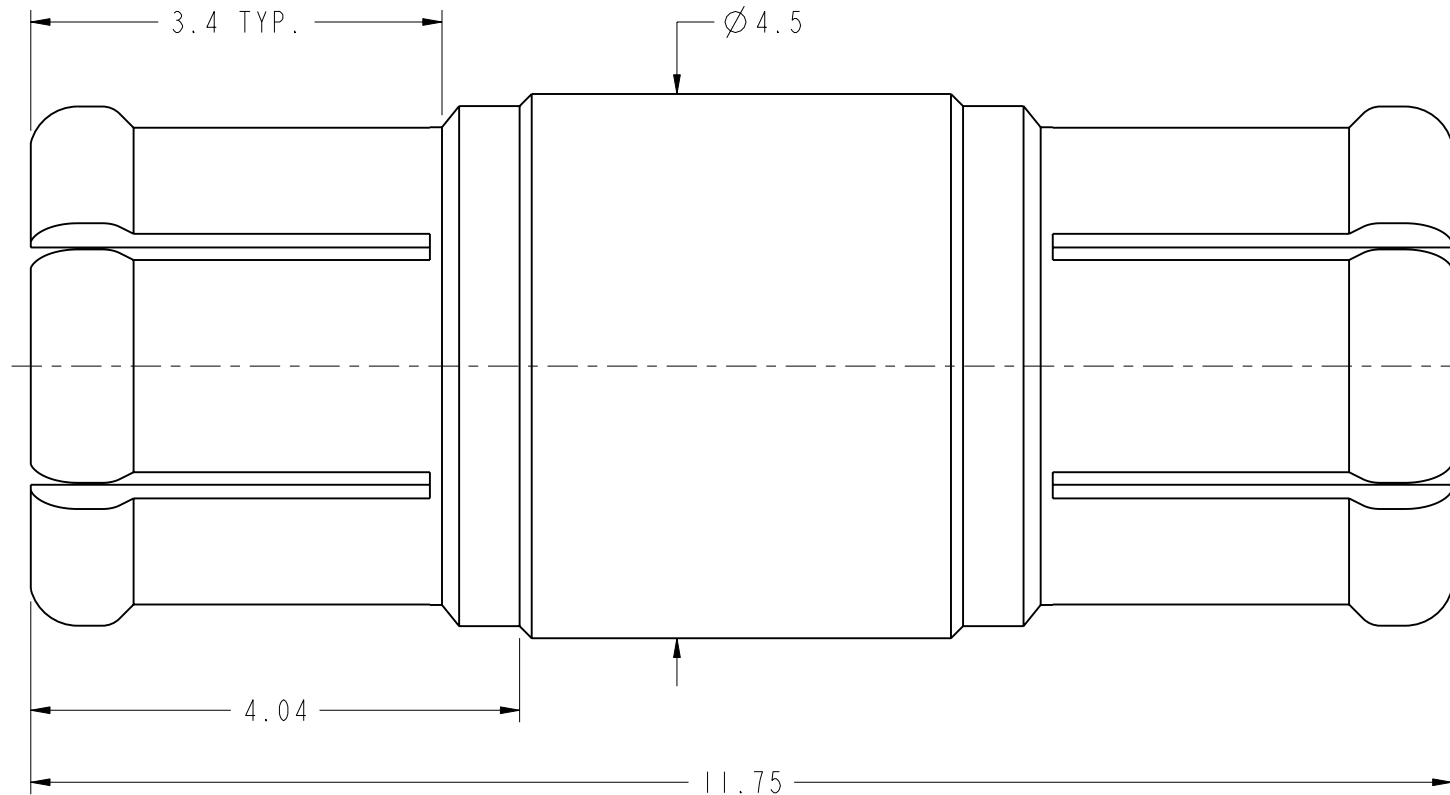
THIRD ANGLE PROJ.

REVISIONS

REV	DESCRIPTION	DATE	ECO	APPR
A	RELEASE TO MFG	26-Aug-15		AY
B	TITLE WAS CHANGED, ADDED PART NO. PSMP-FSBA-1175	29-Oct-15	50843	AY



SCALE 5.000



CUSTOMER OUTLINE DRAWING

ALL OTHER SHEETS ARE FOR INTERNAL USE ONLY

UNLESS OTHERWISE SPECIFIED, DIMENSIONS ARE IN METRIC AND TOLERANCES ARE: <0.5mm ±0.05mm 0.5 - 6mm ±0.1mm 6 - 30mm ±0.2mm 30 - 120mm ±0.3mm ANGLES ±1° NOTICE - These drawings, specifications, or other data (1) are, and remain the property of Amphenol corp. (2) must be returned upon request; and (3) are confidential and not to be disclosed to any person other than those to whom they are given by Amphenol Corp. the finishing of these drawings, specifications, or other data by Amphenol Corp., or to any other person to anyone for any purpose is not to be regarded by implication or otherwise in any manner licensing, granting rights to permitting such holder or any other person to manufacture, use or sell any product, process or design, patented or otherwise, that may in any way be related to or disclosed by said drawings, specifications, or other data.	MATERIAL	DRAWN STAMN	DATE 20-Nov-15	TITLE PSMP BULLET 11.75 MM LONG	Amphenol RF Danbury CT USA, Tainan, Taiwan, Shenzhen, China www.amphenolrf.com	
	REFERENCE EAR 6570	ENGINEER RICKSON	DATE 27-Aug-15			SCALE: 15.0:1.0 SHEET 2 OF 2
	FINISH	APPROVED S. HSIEH	DATE 20-Nov-15	DWG SIZE B		REV B
		I:\PSMP\PSMP7071A1-003-AT8GPA-50				
					DRAWING NO. PSMP7071A1-003-AT8GPA-50 ITEM NO. 677071ABHA1BT5F PART NO. PSMP-FSBA-1175	