



Chipsmall Limited consists of a professional team with an average of over 10 year of expertise in the distribution of electronic components. Based in Hongkong, we have already established firm and mutual-benefit business relationships with customers from,Europe,America and south Asia,supplying obsolete and hard-to-find components to meet their specific needs.

With the principle of “Quality Parts,Customers Priority,Honest Operation,and Considerate Service”,our business mainly focus on the distribution of electronic components. Line cards we deal with include Microchip,ALPS,ROHM,Xilinx,Pulse,ON,Everlight and Freescale. Main products comprise IC,Modules,Potentiometer,IC Socket,Relay,Connector.Our parts cover such applications as commercial,industrial, and automotives areas.

We are looking forward to setting up business relationship with you and hope to provide you with the best service and solution. Let us make a better world for our industry!



## Contact us

Tel: +86-755-8981 8866 Fax: +86-755-8427 6832

Email & Skype: info@chipsmall.com Web: www.chipsmall.com

Address: A1208, Overseas Decoration Building, #122 Zhenhua RD., Futian, Shenzhen, China



NOTES:

1. MATERIAL AND FINISH:

BODY: BERYLLIUM COPPER, ALBALOY PLATING OVER SILVER  
 CONTACT PIN: BERYLLIUM COPPER, GOLD PLATING  
 INSULATOR: PTFE, NATURAL

2. ELECTRICAL:

- A. IMPEDANCE: 50 OHM
- B. FREQUENCY RANGE: DC TO 10 GHz
- C. RETURN LOSS(VSWR): 30 dB MIN.@ DC-2 GHz  
 27 dB MIN.@ 2-4 GHz  
 24 dB MIN.@ 4-6 GHz
- D. INSERTION LOSS:  $0.05X\sqrt{f(\text{GHz})}$  dB MAX. @ DC-6 GHz
- E. INSULATION RESISTANCE: 5 GOHM MIN.
- F. DIELECTRIC WITHSTANDING VOLTAGE: 1000 VRMS, MIN.
- G. POWER HANDLING: 200 W MAX.@ 2.2 GHz AT 20°C
- H. INTERMODULATION(3rd order): 160 dBc Min.@ 2X43dBm

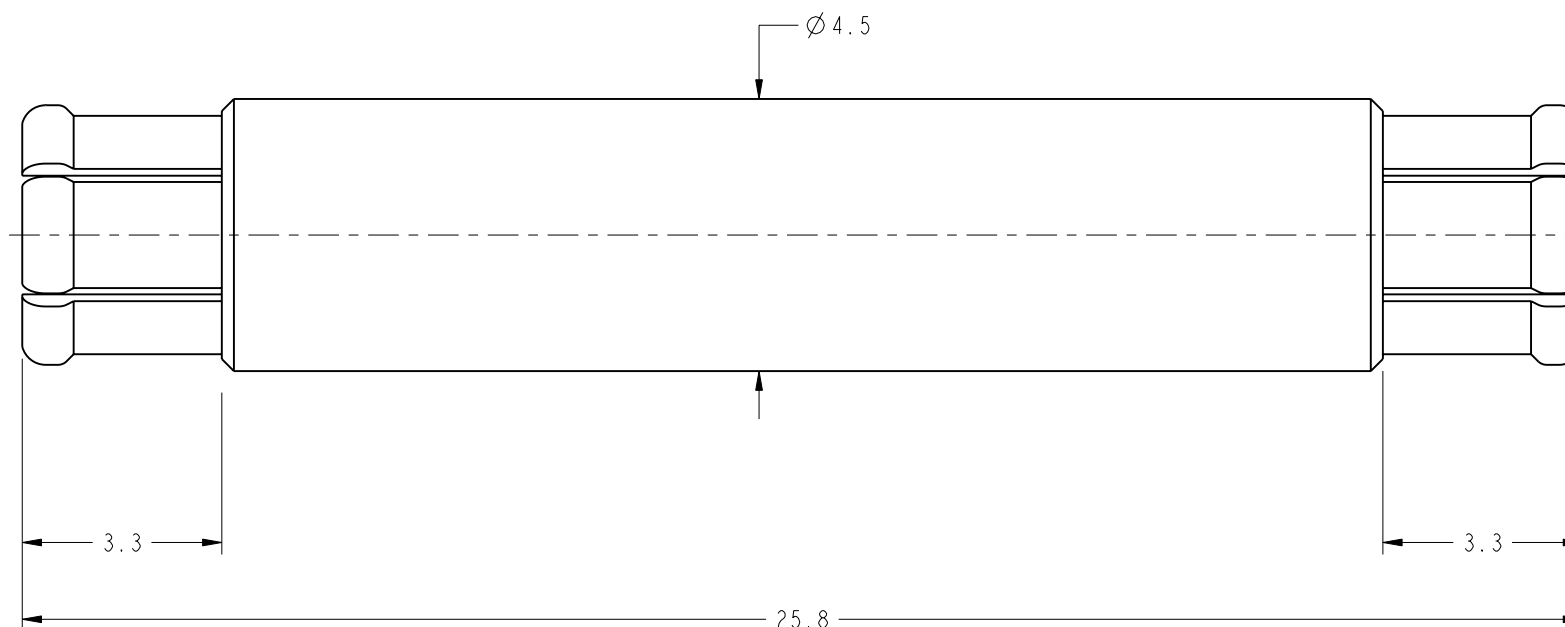
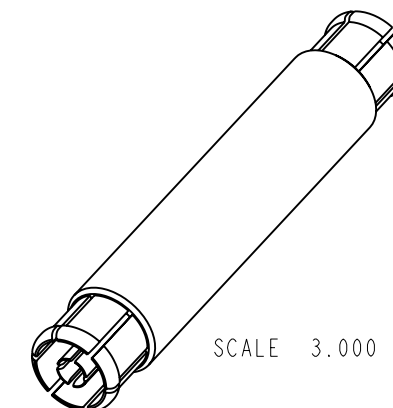
3. MECHANICAL:

- A. MATING CYCLES:  
 IF MATING PART IS SMOOTH BORE,CATCHERS MITT: 1000 CYCLES MIN.  
 IF MATING PART IS LIMITED & FULL DETENT:100 CYCLES MIN.
- B. TEMPERATURE RANGE: -65°C TO +165°C

THIRD ANGLE PROJ.

REVISIONS

REV	DESCRIPTION	DATE	ECO	APPR
A	RELEASE TO MFG., PART NO. WAS: 915-1003	19-Nov-15	50843	BCG



**CUSTOMER OUTLINE DRAWING**

ALL OTHER SHEETS ARE FOR INTERNAL USE ONLY

UNLESS OTHERWISE SPECIFIED, DIMENSIONS ARE IN METRIC AND TOLERANCES ARE: <0.5mm ±0.05mm    0.5 - 6mm ±0.1mm    6 - 30mm ±0.2mm    30 - 120mm ±0.3mm    ANGLES ±1°	MATERIAL	DRAWN	DATE	TITLE PSMP BULLET 25.8mm LONG	Amphenol RF www.amphenolrf.com
	REFERENCE EAR06125	ENGINEER	DATE		
	CONFIGURATION LEVEL:	APPROVED	DATE	SCALE: 8.0:1.0   SHEET 2 OF 2	ITEM NO. 677071ABDA1BT5F
	FINISH	I:\PSMP\PSMP7071A2-013-AT8GPA-50		DWG SIZE B	REV A

NOTICE - These drawings, specifications, or other data (1) are, and remain the property of Amphenol corp. (2) must be returned upon request; and (3) are confidential and not to be disclosed to any person other than those to whom they are given by Amphenol Corp. the finishing of these drawings, specifications, or other data by Amphenol Corp., or to any other person to anyone for any purpose is not to be regarded by implication or otherwise in any manner licensing, granting rights to permitting such holder or any other person to manufacture, use or sell any product, process or design, patented or otherwise, that may in any way be related to or disclosed by said drawings, specifications, or other data.