



Chipsmall Limited consists of a professional team with an average of over 10 year of expertise in the distribution of electronic components. Based in Hongkong, we have already established firm and mutual-benefit business relationships with customers from,Europe,America and south Asia,supplying obsolete and hard-to-find components to meet their specific needs.

With the principle of “Quality Parts,Customers Priority,Honest Operation,and Considerate Service”,our business mainly focus on the distribution of electronic components. Line cards we deal with include Microchip,ALPS,ROHM,Xilinx,Pulse,ON,Everlight and Freescale. Main products comprise IC,Modules,Potentiometer,IC Socket,Relay,Connector.Our parts cover such applications as commercial,industrial, and automotives areas.

We are looking forward to setting up business relationship with you and hope to provide you with the best service and solution. Let us make a better world for our industry!



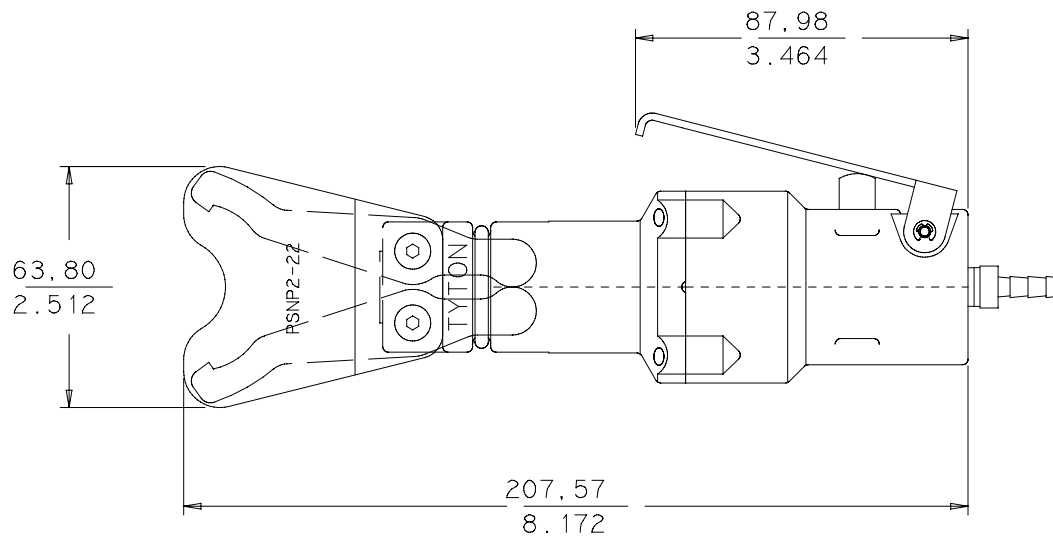
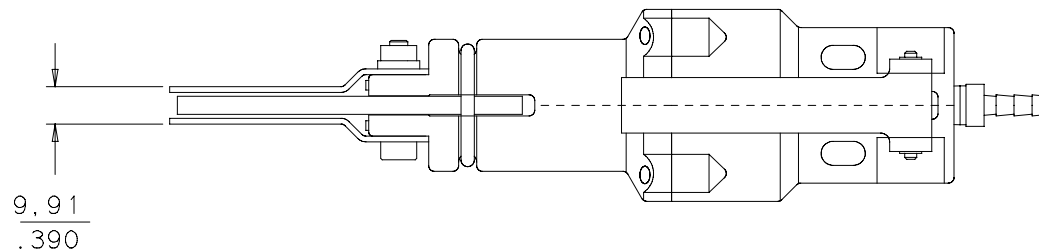
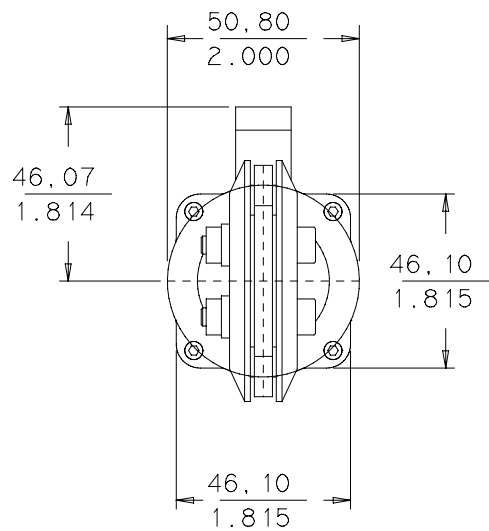
Contact us

Tel: +86-755-8981 8866 Fax: +86-755-8427 6832

Email & Skype: info@chipsmall.com Web: www.chipsmall.com

Address: A1208, Overseas Decoration Building, #122 Zhenhua RD., Futian, Shenzhen, China





NOTE:
1) MAXIMUM AIR PRESSURE 100 PSI (6.9 BAR)

PSNP2-22
PART NUMBER - REV

DESIGN TEAM		INVENTOR(S) / DATE	
<p>ALL PROPRIETARY RIGHTS IN THE SUBJECT MATTER SHOWN ON THIS DRAWING ARE EXCLUSIVE PROPERTY OF TYTON CORPORATION</p>			
A	001-B		
DWG REV	DASH - REV	CHANGED	RELEASED
	PART NO.	DATE	BY

DIMENSIONS	VERIFIED	UNITS	TOLERANCES unless otherwise specified	
	name	<input checked="" type="checkbox"/> in <input type="checkbox"/> mm <input type="checkbox"/> mm <input type="checkbox"/> in	.XXX = ± .030	.X =
MATERIAL	date		.XX =	< =

NAME	
DATE	
WL	
drawn	5/19/93
checked	
approved	

PART NAME		PSNP2-22 CUSTOMER DRAWING	
plot date	scale	drive S	sheet 1 of 1
3/16/94	1\2	PRODUCTION DRAWING NUMBER	
FORMAT AH	VERSION E	TS\CST\2010001B	
DRAWING NO. WAS			