



Chipsmall Limited consists of a professional team with an average of over 10 year of expertise in the distribution of electronic components. Based in Hongkong, we have already established firm and mutual-benefit business relationships with customers from,Europe,America and south Asia,supplying obsolete and hard-to-find components to meet their specific needs.

With the principle of “Quality Parts,Customers Priority,Honest Operation,and Considerate Service”,our business mainly focus on the distribution of electronic components. Line cards we deal with include Microchip,ALPS,ROHM,Xilinx,Pulse,ON,Everlight and Freescale. Main products comprise IC,Modules,Potentiometer,IC Socket,Relay,Connector.Our parts cover such applications as commercial,industrial, and automotives areas.

We are looking forward to setting up business relationship with you and hope to provide you with the best service and solution. Let us make a better world for our industry!



Contact us

Tel: +86-755-8981 8866 Fax: +86-755-8427 6832

Email & Skype: info@chipsmall.com Web: www.chipsmall.com

Address: A1208, Overseas Decoration Building, #122 Zhenhua RD., Futian, Shenzhen, China



THIS COPY IS PROVIDED ON A RESTRICTED BASIS AND IS NOT TO BE USED IN ANY WAY DETRIMENTAL TO THE INTERESTS OF PANDUIT CORP.

PART NUMBER	MATERIAL	WIDTH "A"	HEIGHT "B"	TAGS & TIES PER PKG.	LAMINATION SIDE	HEADER	HEADER COLOR	DESCRIPTION	LEGEND COLOR
PST-1	SLCT VINYL	2.00 (50.8)	3.00 (76.2)	10	FRONT ONLY	BLANK	BLANK	BLANK	BLANK
PST-2	SLCT VINYL	3.25 (82.6)	5.75 (146.0)	5	FRONT ONLY	BLANK	BLANK	BLANK	BLANK
PST-3	GMV5 AND SEZ-SNC VINYL	3.00 (76.2)	5.75 (146.0)	5	FRONT ONLY	DANGER	WHITE/RED & BLACK	SEE NOTE 2	BLACK/WHITE
PST-4	GMV5 AND SEZ-SNC VINYL	3.50 (88.9)	5.75 (146.0)	25	FRONT ONLY	BLANK	BLANK	BLANK	BLANK
PST-5	GMV5 AND SEZ-SNC VINYL	3.50 (88.9)	5.75 (146.0)	25	FRONT AND BACK	BLANK	BLANK	BLANK	BLANK
PST-12	GMV5 AND SEZ-SNC VINYL	3.00 (76.2)	5.75 (146.0)	5	FRONT ONLY	BLANK	BLANK	DO NOT THROW SYMBOL (SEE NOTE 3)	BLACK/WHITE

NOTES:
1. MILLIMETER ARE IN ().

NOTE 2

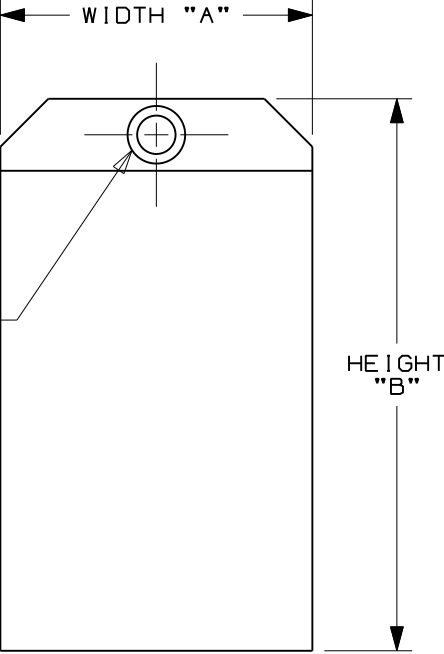
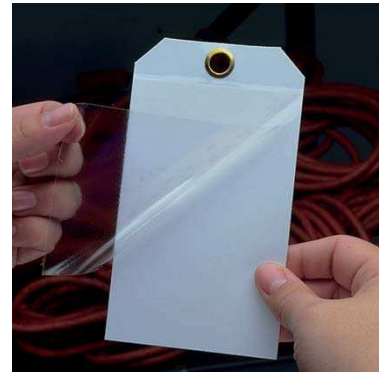
NOTE 3



Front PST-3 Back



Front PST-12 Back



3/8" GROMMET

HEIGHT "B"

CAD FILENAME/LAYERS		I00318LX_DC_C10679/00A	
<h1>PANDUIT</h1> CORP. TINLEY PARK, ILLINOIS			
CUSTOMER DRAWING PST- * INDOOR RIGID VINYL SAFETY TAG CARRIER AND PHOTO TAGS			
UNLESS OTHERWISE SPECIFIED, DIMENSIONAL TOLERANCES ARE: (.X) ± .075 (.XXX) ± .020 (.XX) ± .050 ANGLES ± 5°		UNLESS OTHERWISE SPECIFIED, ALL DIMENSIONS ARE GIVEN IN INCHES, THIRD ANGLE PROJECTION.	
DRAWN BY RVU	MAT'L:	SCALE NTS	
DATE 4/4/08	SEE TABLE	DRAWING NO. C10679	DWG SIZE A
CHK'D			

REV	DATE	BY	CHK	DESCRIPTION	ECN	R	CUST	SUP
0	4/4/08	RVU		DRAWING RELEASE.	5382	R		