



Chipsmall Limited consists of a professional team with an average of over 10 year of expertise in the distribution of electronic components. Based in Hongkong, we have already established firm and mutual-benefit business relationships with customers from,Europe,America and south Asia,supplying obsolete and hard-to-find components to meet their specific needs.

With the principle of “Quality Parts,Customers Priority,Honest Operation,and Considerate Service”,our business mainly focus on the distribution of electronic components. Line cards we deal with include Microchip,ALPS,ROHM,Xilinx,Pulse,ON,Everlight and Freescale. Main products comprise IC,Modules,Potentiometer,IC Socket,Relay,Connector.Our parts cover such applications as commercial,industrial, and automotives areas.

We are looking forward to setting up business relationship with you and hope to provide you with the best service and solution. Let us make a better world for our industry!



Contact us

Tel: +86-755-8981 8866 Fax: +86-755-8427 6832

Email & Skype: info@chipsmall.com Web: www.chipsmall.com

Address: A1208, Overseas Decoration Building, #122 Zhenhua RD., Futian, Shenzhen, China



PART NAME

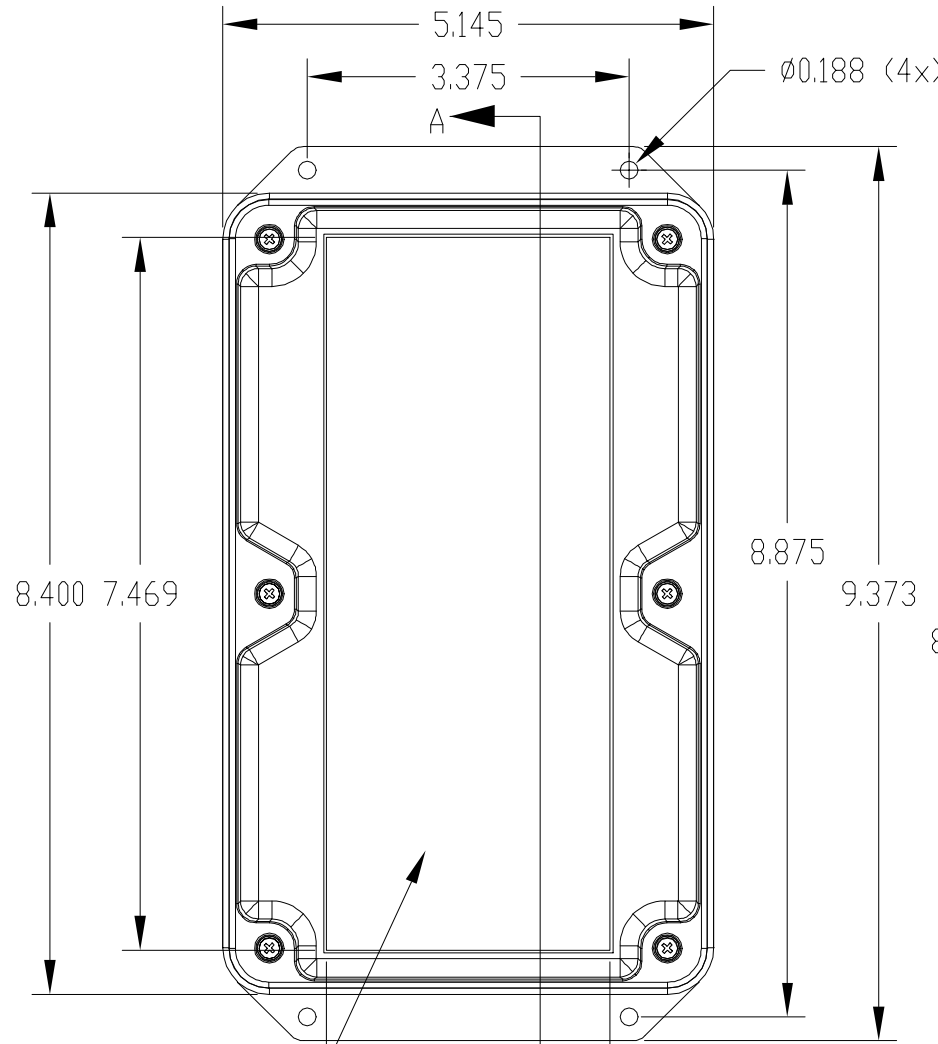
NEMA PLASTIBOX STYLE J

PART No.

PT-11801

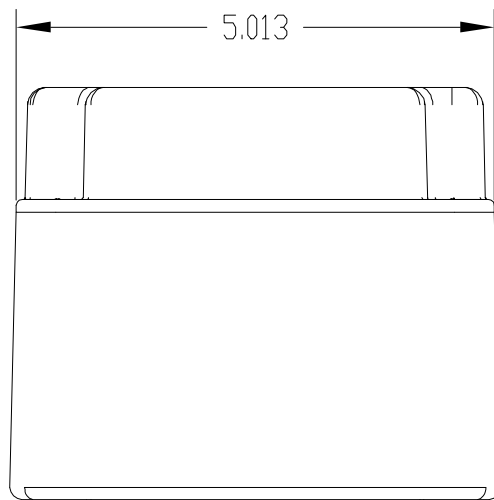
REVISION DATE

7-27-09

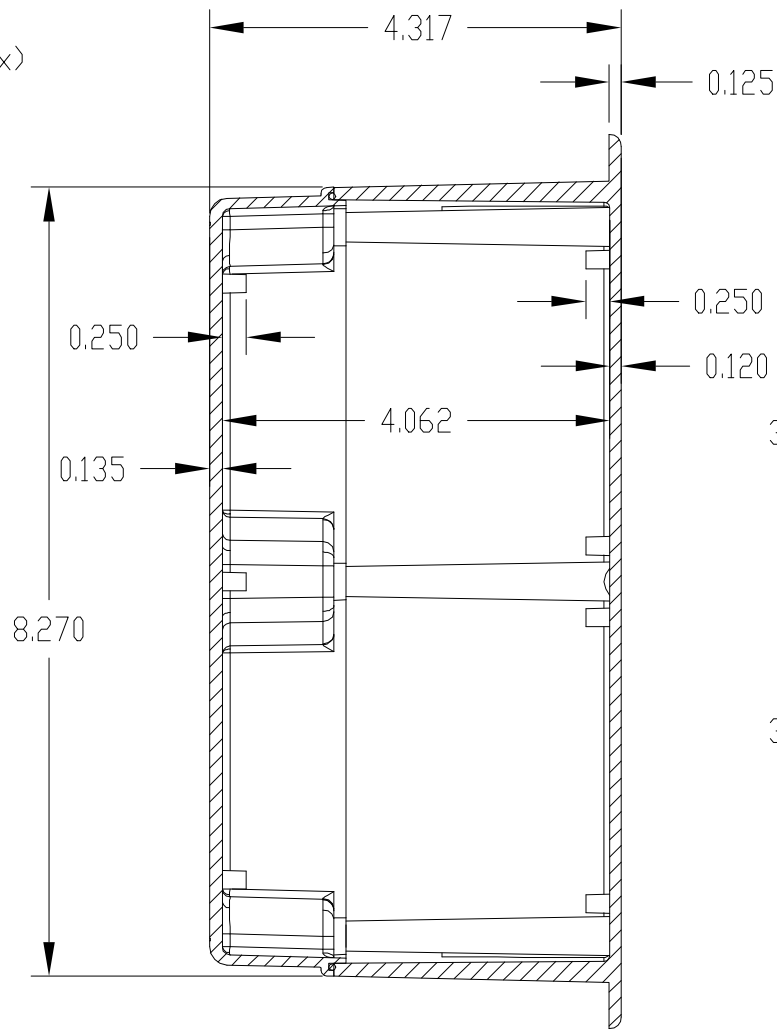


TEXTURED FLUSH AREA

A



ALL DIMENSIONS HAVE ±.015 TOLERANCE



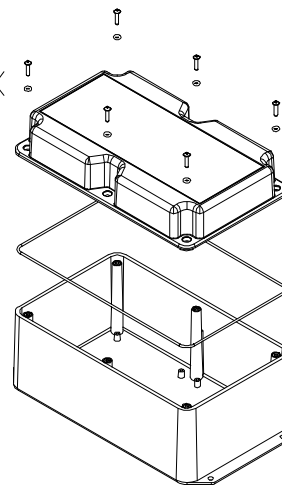
SECTION A-A

MEETS NEMA 4X AND IP65 RATINGS

INCLUDES Ø .072 THK. COVER GASKET AND SIX (6) Ø.072 THK. O-RINGS FOR COVER SCREWS. COVER SCREWS ARE #4-40 x 1/2" LG. MACHINE (BLACK)

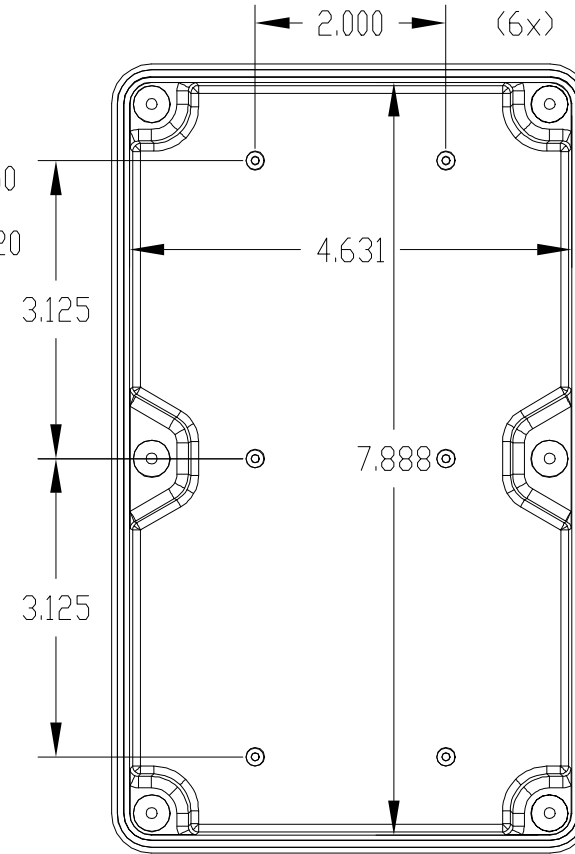
MATERIAL: ENCLOSURE - ABS WITH UL94-5VA FLAMMABILITY RATING
GASKET & O-RINGS - BUNA

FINISH: ENCLOSURE - TEXTURED BLACK
GASKET & O-RINGS - BLACK

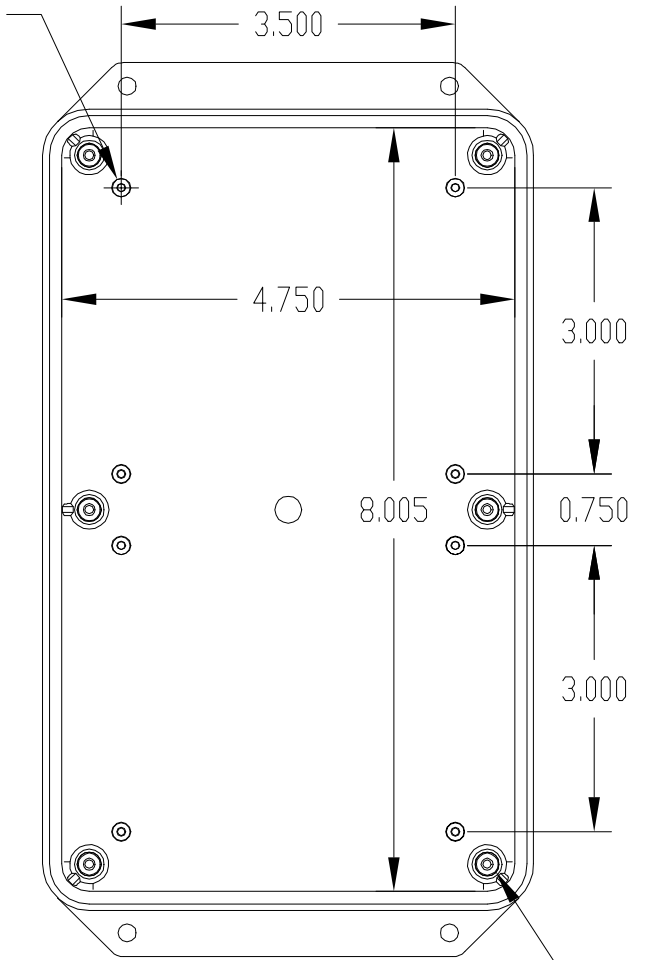


Ø0.188 BOSS WITH Ø.090 HOLE (14x) (8x) IN BODY (6x) IN COVER

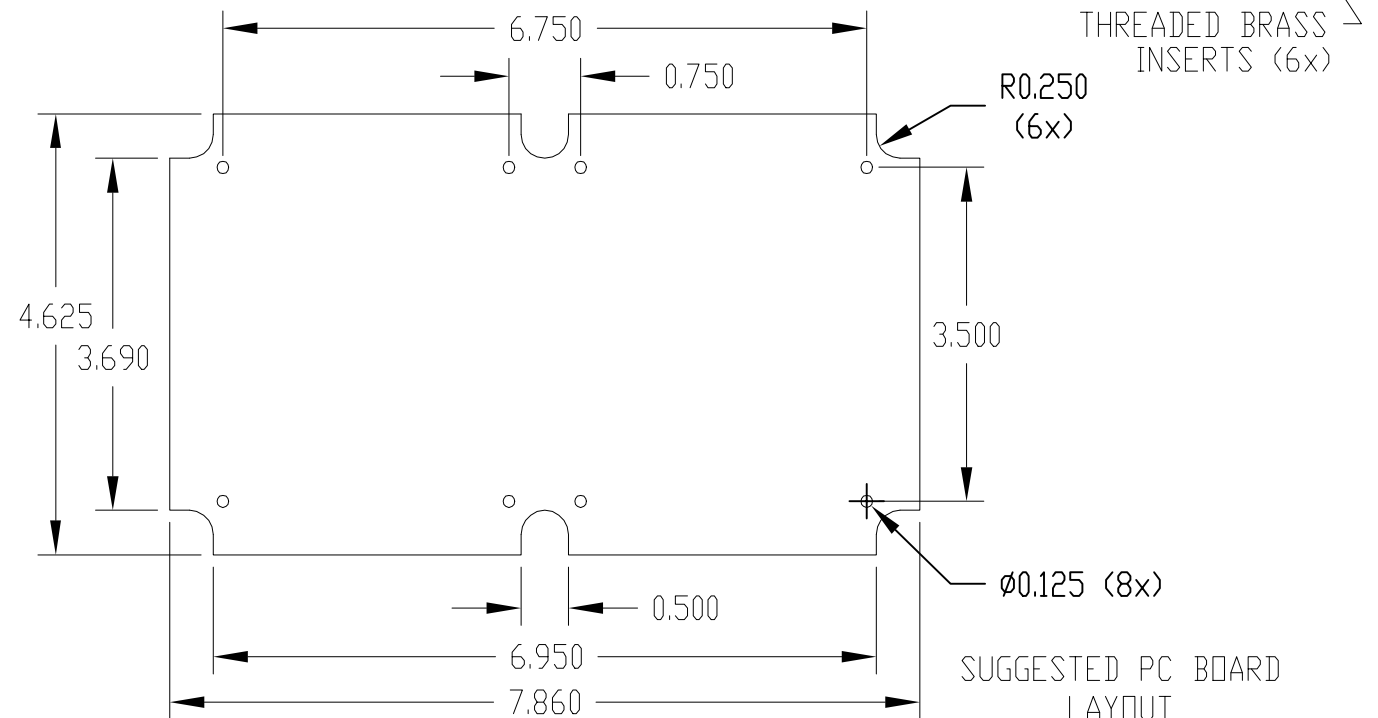
NOTE: MOUNTING BOSSES USE #4 x 1/4 LG. SELF-TAPPING SCREWS (NOT SUPPLIED)



INSIDE VIEW OF COVER



INSIDE VIEW OF BODY



THREADED BRASS INSERTS (6x)

SUGGESTED PC BOARD LAYOUT