



Chipsmall Limited consists of a professional team with an average of over 10 year of expertise in the distribution of electronic components. Based in Hongkong, we have already established firm and mutual-benefit business relationships with customers from,Europe,America and south Asia,supplying obsolete and hard-to-find components to meet their specific needs.

With the principle of "Quality Parts,Customers Priority,Honest Operation,and Considerate Service",our business mainly focus on the distribution of electronic components. Line cards we deal with include Microchip,ALPS,ROHM,Xilinx,Pulse,ON,Everlight and Freescale. Main products comprise IC,Modules,Potentiometer,IC Socket,Relay,Connector.Our parts cover such applications as commercial,industrial, and automotives areas.

We are looking forward to setting up business relationship with you and hope to provide you with the best service and solution. Let us make a better world for our industry!



Contact us

Tel: +86-755-8981 8866 Fax: +86-755-8427 6832

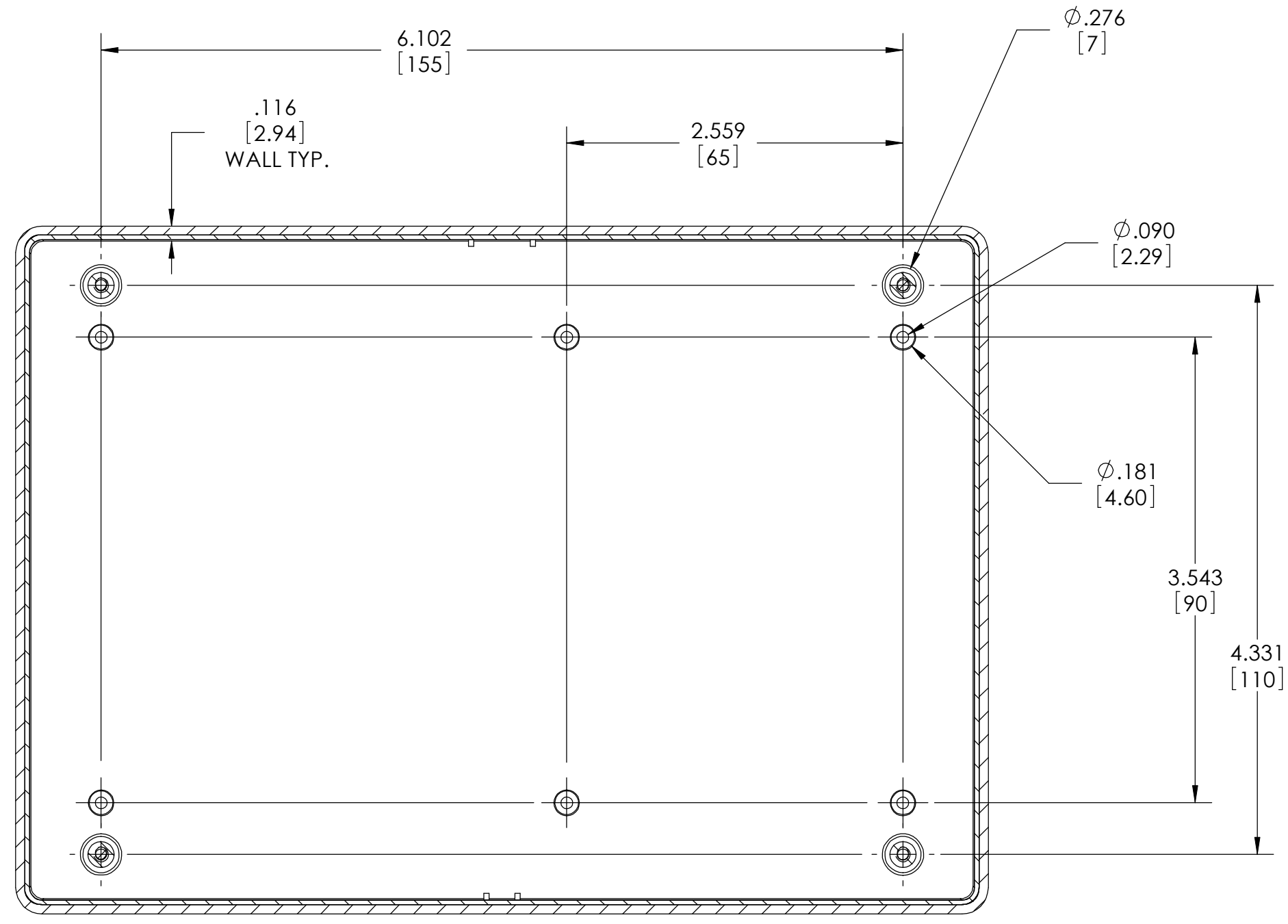
Email & Skype: info@chipsmall.com Web: www.chipsmall.com

Address: A1208, Overseas Decoration Building, #122 Zhenhua RD., Futian, Shenzhen, China

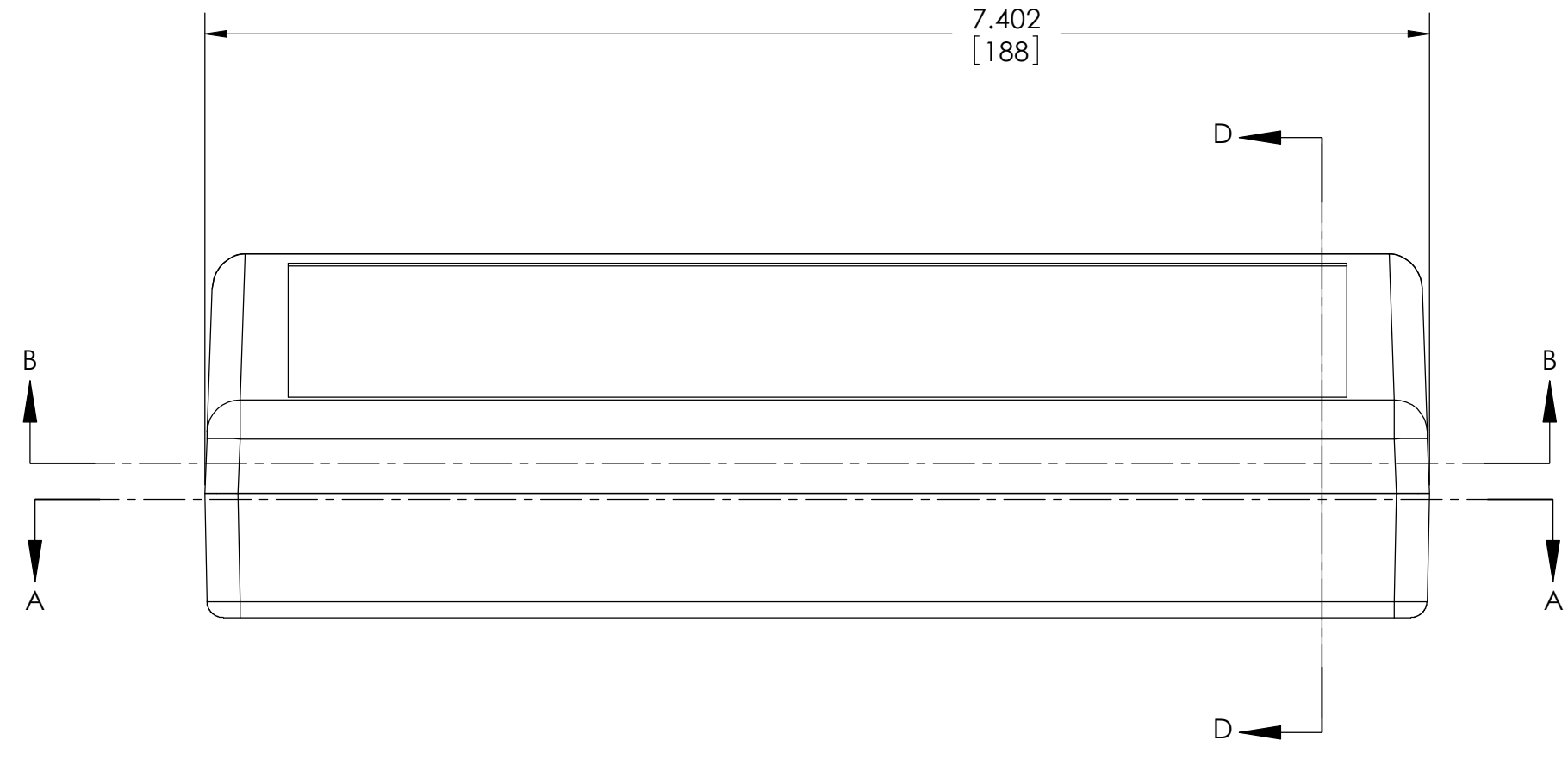


THE INFORMATION CONTAINED IN THIS DRAWING IS THE SOLE PROPERTY OF BUD INDUSTRIES INC. ANY REPRODUCTION IN PART OR WHOLE WITHOUT THE WRITTEN PERMISSION OF BUD INDUSTRIES INC. IS PROHIBITED.

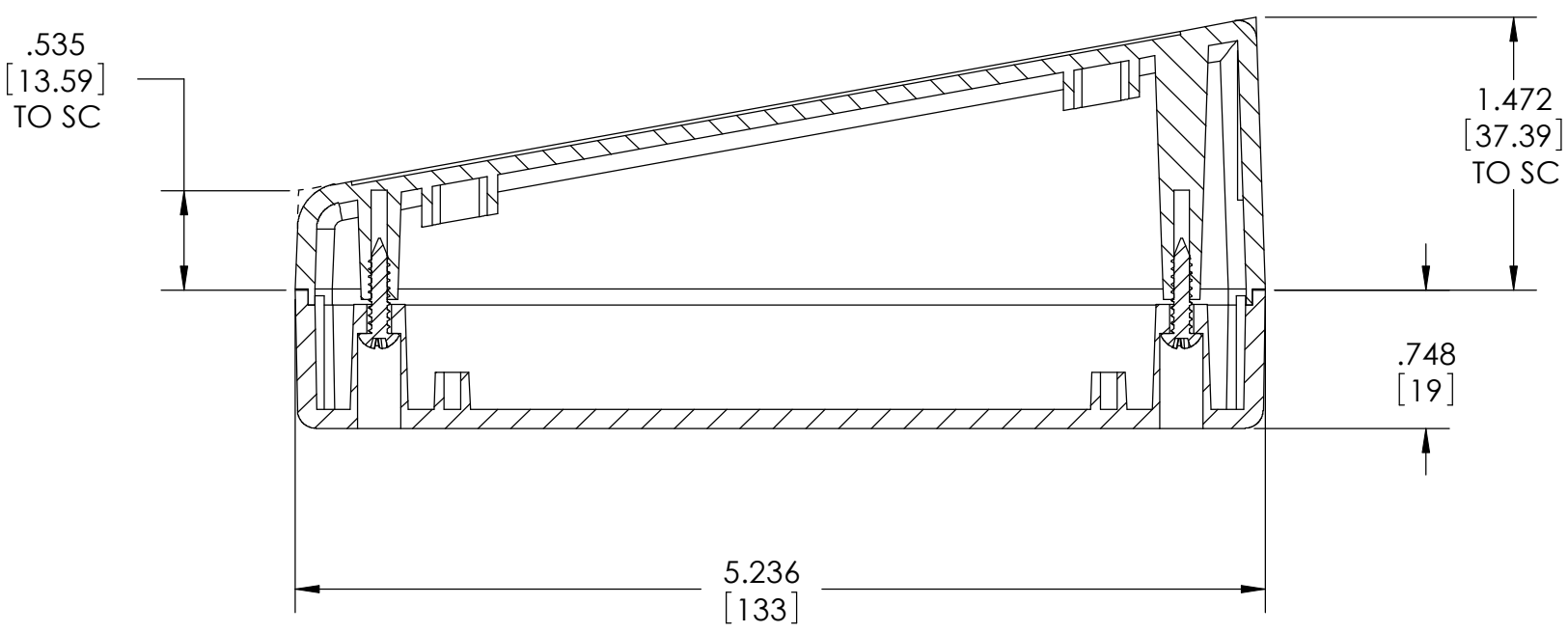
DWG. NO.	PT11820 Assem
ISSUE	REVISIONS



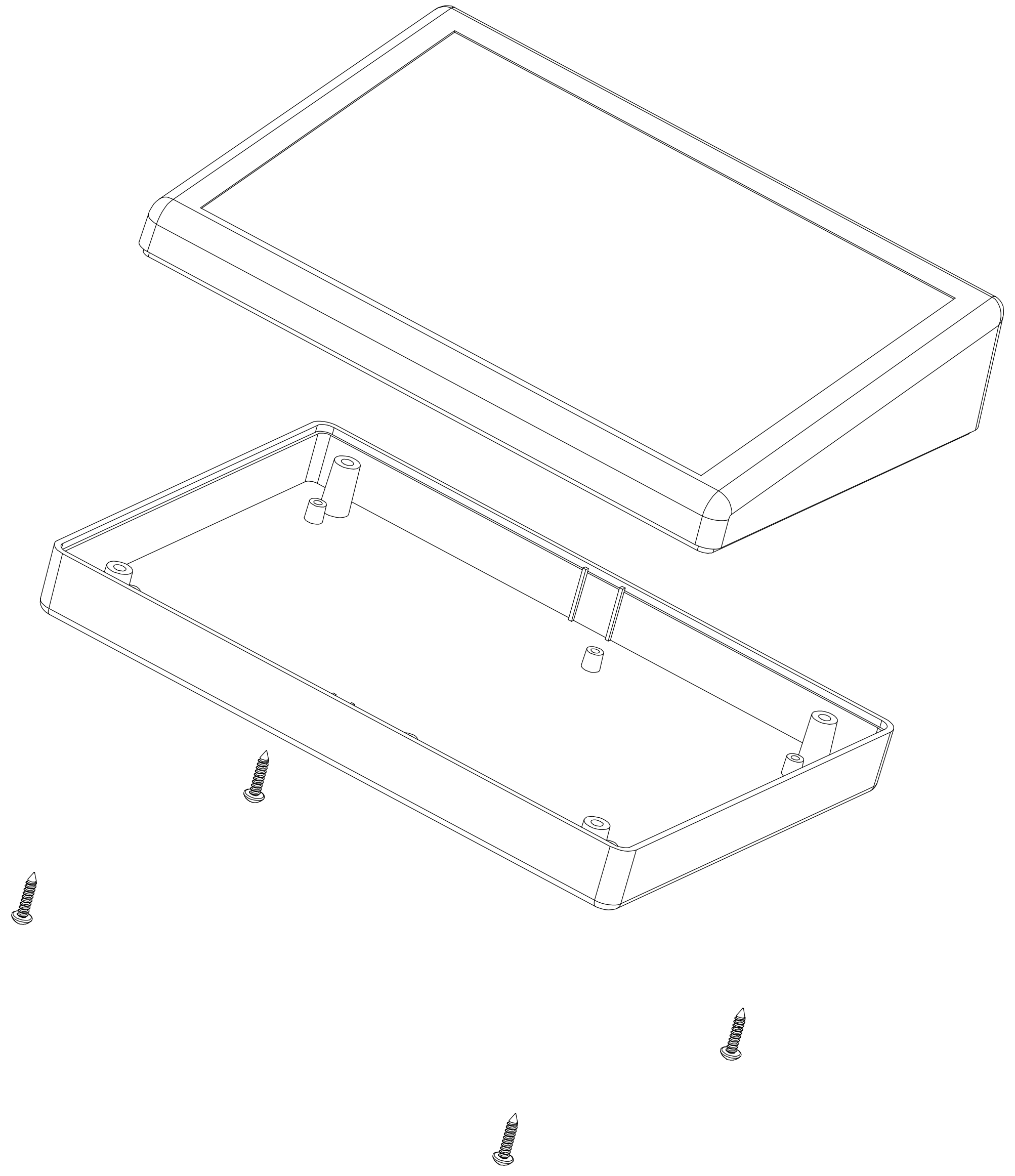
SECTION A-A
SCALE 1 : 1



SECTION B-B
SCALE 1 : 1



SECTION D-D
SCALE 1 : 1



MATERIAL:
ABS PLASTIC UL94-HB

TEXTURE:
ALL EXTERIOR SURFACES ARE
TEXTURED
INTERIOR SURFACES ARE SMOOTH

COLOR:
BEIGE

PARTS LIST		BUD INDUSTRIES INC.	
APPROVALS	DATE	DRAWN	
RD	12-2-08	RD	
CHECKED		DATE	
AS NOTED		12-2-08	
FINISH	SEE SPEC.	MATERIAL	
		AS NOTED	
		FINISH	
		SEE SPEC.	
		SCALE	
		PT-11820	
		CADD FILE	
		SHEET 1 OF 1	

QTY.	USED ON
2	