



Chipsmall Limited consists of a professional team with an average of over 10 year of expertise in the distribution of electronic components. Based in Hongkong, we have already established firm and mutual-benefit business relationships with customers from,Europe,America and south Asia,supplying obsolete and hard-to-find components to meet their specific needs.

With the principle of “Quality Parts,Customers Priority,Honest Operation,and Considerate Service”,our business mainly focus on the distribution of electronic components. Line cards we deal with include Microchip,ALPS,ROHM,Xilinx,Pulse,ON,Everlight and Freescale. Main products comprise IC,Modules,Potentiometer,IC Socket,Relay,Connector.Our parts cover such applications as commercial,industrial, and automotives areas.

We are looking forward to setting up business relationship with you and hope to provide you with the best service and solution. Let us make a better world for our industry!



Contact us

Tel: +86-755-8981 8866 Fax: +86-755-8427 6832

Email & Skype: info@chipsmall.com Web: www.chipsmall.com

Address: A1208, Overseas Decoration Building, #122 Zhenhua RD., Futian, Shenzhen, China



NEW

PT Series Sealed Power Toggle Switch

Features/Benefits

- **IP66 / IP68 versatile rating to withstand harsh outdoor environments, intense, wet weather, wind blown rain, dust, dirt**
- **UL 61058-1 certified has global acceptance with no additional testing needed**
- **Integrated panel seal for extra protection**
- **Superior oil and fuel resistance**
- **High strength, heat resistant housing designed for demanding applications subjected to vibration and harsh conditions**

Typical Applications

- **Off-road, Construction/Agricultural vehicles**
- **Material handling equipment**
- **Articulating, scissor, and bucket lift controls**
- **Outdoor industrial equipment**
- **Lift gate controls**



Specifications

UL ELECTRICAL RATINGS:

MAINTAINED FUNCTIONS: 15A GP, 277VAC 50/60Hz T85
 15(4)A, 277VAC 50/60Hz T85
 1/2 hp, 125VAC 50/60Hz T85
 1 hp, 250VAC 50/60Hz T85

MOMENTARY FUNCTIONS: 10A GP, 277VAC 50/60Hz T85
 10(4)A, 277VAC 50/60Hz T85
 1/4hp, 125VAC 50/60Hz T85
 1/2 hp, 250VAC 50/60Hz T85

ELECTRICAL LIFE: 10,000 cycles

DC ELECTRICAL RATINGS: Resistive Loads

ALL FUNCTIONS: Up to 25A, 24VDC
 0.75A, 125VDC
 0.5A, 250VDC

MAINTAINED FUNCTIONS: 15A, 28VDC

MOMENTARY FUNCTIONS: 10A, 28VDC

DIELECTRIC STRENGTH: 2500V min. initial (terminal to toggle)

INSULATION RESISTANCE: 1000 MΩ min. initial

CONTACT RESISTANCE: 50 mΩ max. initial(terminal to toggle)

OPERATING AND STORAGE TEMPERATURE: -40°C to +85°C

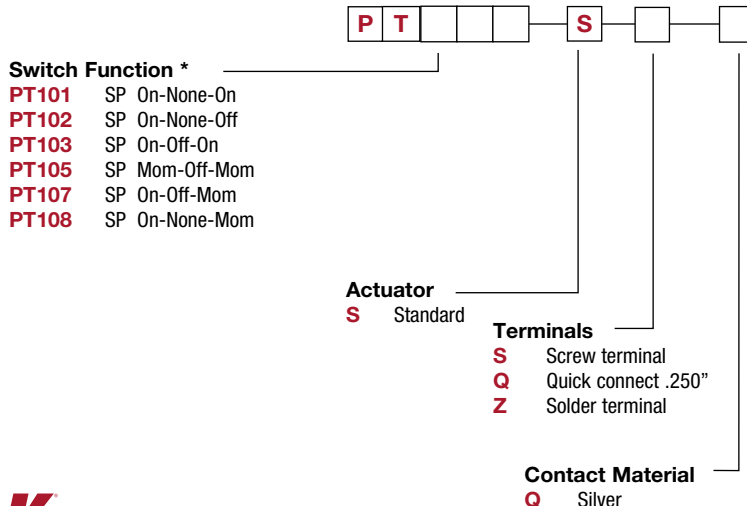
IP RATINGS: IP66 / IP68 Versatile

Materials

CASE:	Thermoset
ACTUATOR:	Stainless Steel
PIVOT PIN:	Stainless Steel
BUSHING:	Zinc Die Cast
SEAL:	Silicone
MOVEABLE CONTACT(S):	Copper alloy, silver plated
BUTTON:	Silver Cadmium
TERMINALS:	Brass for Quick connect, silver plated brass for solder and screw terminals
HARDWARE:	Nickel plated, brass hex nut, brass screws, nickel plated, brass lock washer, nickel plated, brass locking ring.
AVAILABLE:	Over molded Silicone Bushing Hex Seal
PACKAGING:	Trays

Build-A-Switch

To order, simply select desired option from each category and place in the appropriate box. Available options are shown and described on pages F-53 thru F-56. For additional options not shown in catalog, consult Customer Service Center.



30 mar 18



F

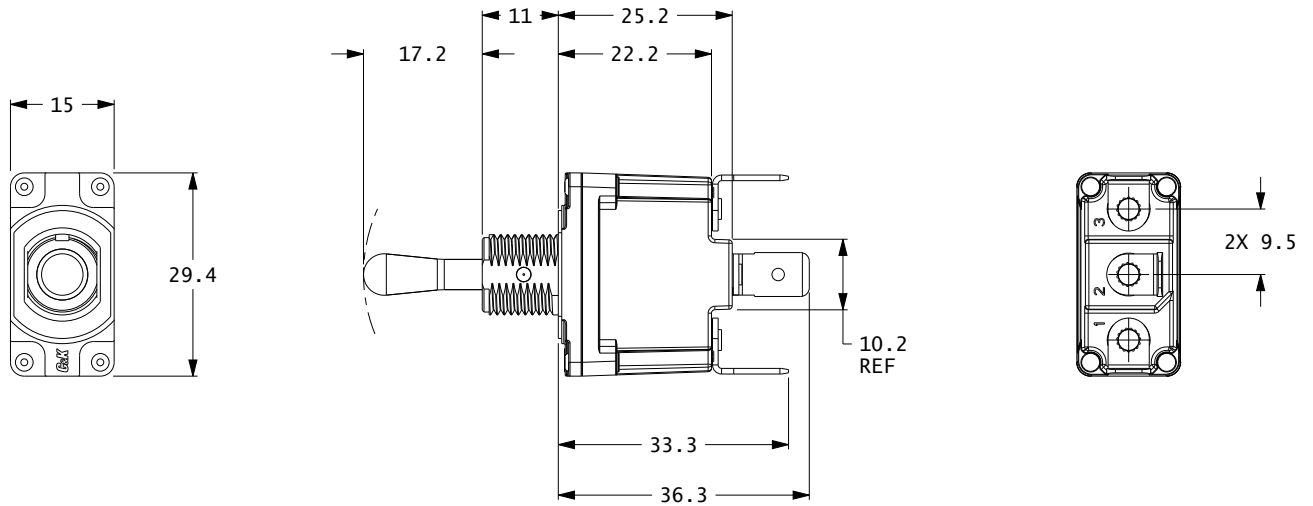
Toggle

PT Series Sealed Power Toggle Switch

NEW

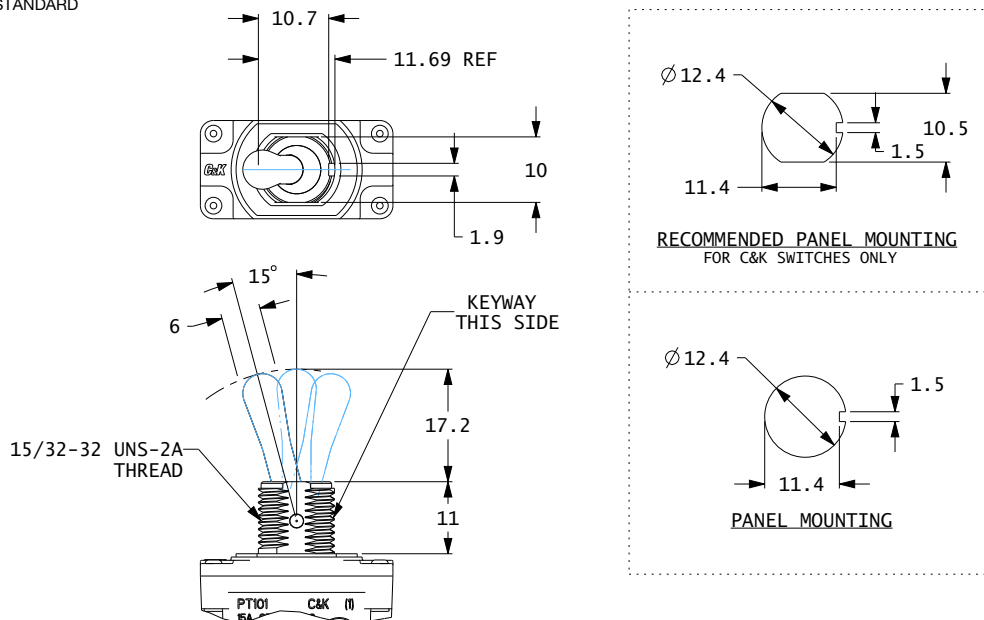
NO. POLES	MODEL NO.	SWITCH FUNCTION			CONNECTED TERMINALS			SCHEMATIC
		POS. 1	POS. 2	POS. 3	POS. 1	POS. 2	POS. 3	
SP	PT101	ON	NONE	ON	2-3	N/A	2-1	
	PT102*	ON	NONE	OFF	2-3	N/A	OPEN	
	PT103	ON	OFF	ON	2-3	OPEN	2-1	
	PT105	MOM	OFF	MOM				
	PT107	ON	OFF	MOM	2-3	N/A	2-1	
	PT108	ON	NONE	MOM				

* PT102 OMIT TERMINAL 1



ACTUATOR

S STANDARD



Toggle
F



30 mar 18

F-54

Dimensions are shown: mm
Specifications and dimensions subject to change

www.ckswitches.com

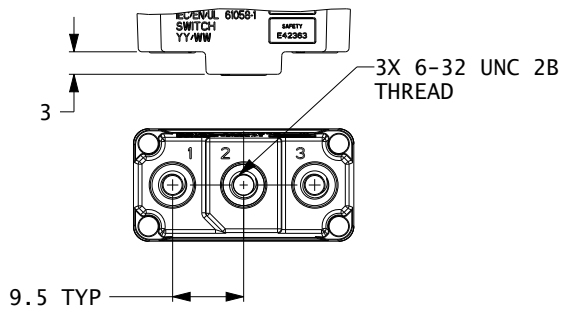
NEW

PT Series Sealed Power Toggle Switches

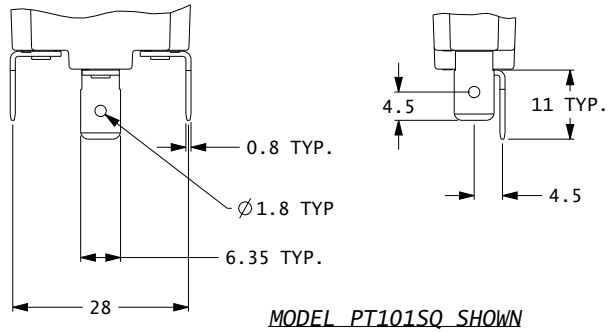
TERMINALS

S SCREW TERMINAL

Q QUICK CONNECT

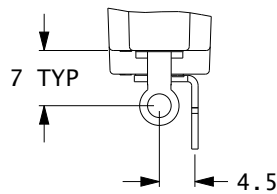
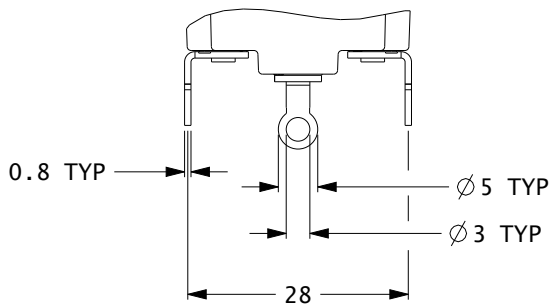


MODEL PT101SS SHOWN



MODEL PT101SQ SHOWN

Z SOLDER TERMINAL



MODEL PT101SZ SHOWN



F

Toggle