



Chipsmall Limited consists of a professional team with an average of over 10 year of expertise in the distribution of electronic components. Based in Hongkong, we have already established firm and mutual-benefit business relationships with customers from,Europe,America and south Asia,supplying obsolete and hard-to-find components to meet their specific needs.

With the principle of “Quality Parts,Customers Priority,Honest Operation,and Considerate Service”,our business mainly focus on the distribution of electronic components. Line cards we deal with include Microchip,ALPS,ROHM,Xilinx,Pulse,ON,Everlight and Freescale. Main products comprise IC,Modules,Potentiometer,IC Socket,Relay,Connector.Our parts cover such applications as commercial,industrial, and automotives areas.

We are looking forward to setting up business relationship with you and hope to provide you with the best service and solution. Let us make a better world for our industry!



Contact us

Tel: +86-755-8981 8866 Fax: +86-755-8427 6832

Email & Skype: info@chipsmall.com Web: www.chipsmall.com

Address: A1208, Overseas Decoration Building, #122 Zhenhua RD., Futian, Shenzhen, China



INTERNATIONAL HEADQUARTERS
 20 Willow Springs Circle, York, Pa. 17402, (717) 767-6511
 Web site- <http://www.redlion-controls.com>

RED LION CONTROLS (UK)
 Tapton Park, Chesterfield, Derbyshire S41 0TZ
 ENGLAND +44 1246 222122 FAX: +44 1246 221222

MODEL PT600 - POTENTIAL TRANSFORMER

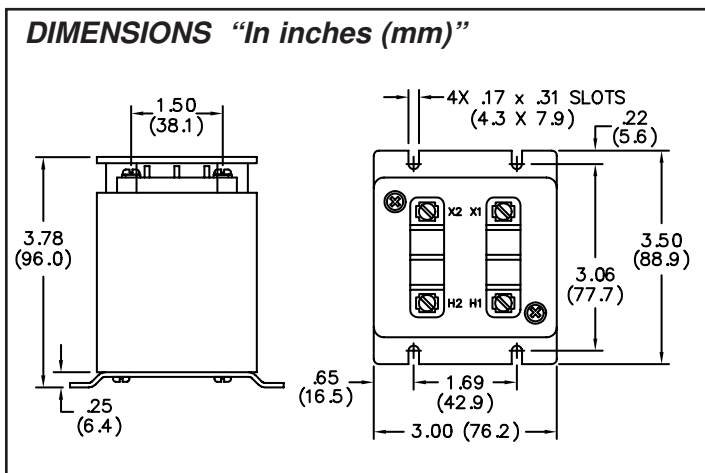


SPECIFICATIONS

- FREQUENCY:** 60 Hz
- MAXIMUM PRIMARY VOLTAGE:** 600 VAC
 Continuous operation at 110% of rated voltage is permissible, provided that the thermal burden rated volt-amperes is not exceeded.
- STANDARD SECONDARY VOLTAGE:** 120 VAC
- INSULATION LEVEL:** 0.6 kV, BIL 10 kV full wave.
- ACCURACY CLASS:** $\pm 1\%$ at all burdens up to 5 VA at 1.0 and 0.95 P.F.
 The transformer is compensated for $\pm 5\%$ at 5 VA, 0.95 P.F.
- TERMINALS:** #6-32 screw type with lock washer and flat washer.
 Terminals are protected with a clear plastic cover.
- THERMAL RATING (Per V.T.):**
 40 VA at 30°C ambient temperature
 27 VA at 55°C ambient temperature
- WEIGHT:** 2.5 lb. (1.13 Kg)

UL recognized component

(Sunshine Scientific Instruments, Inc., PN# 467-600, UL File #E93779)



DESCRIPTION

The PT600 Potential Transformer allows voltages up to 600 VAC to be monitored with Red Lion Controls instruments that accept AC voltage signals. The transformer reduces the voltage by a factor of 5:1, which provides a maximum output of 120 VAC.

The core and coil assembly is encased in a thermoplastic shell and filled with resin. The transformer is designed for operation line-to-line. It may also be operated line-to-ground or line-to-neutral at reduced voltage (58% of rated voltage).

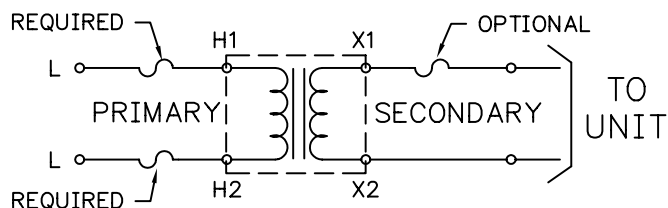
It is recommended to use a 0.40 Amp fuse in the secondary circuit to protect the transformer. This transformer is ANSI C57.13 group 2 certified.

VOLTAGE TRANSFORMER FUSES

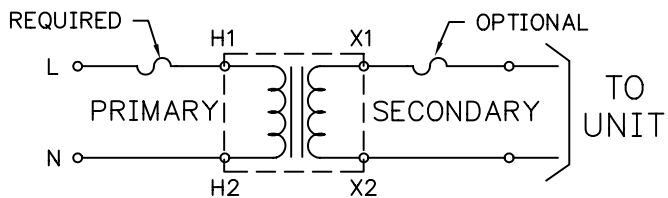
The National Electric Code requires that all voltage transformers installed indoors or in an enclosure shall be fused in the primary circuit with devices rated 15 amperes or less. This arrangement will protect the supply from faults internally in the transformer, but faults in the secondary circuit may not rupture the primary fuse. It is suggested that the user fit secondary circuit fuses to protect the transformer from such faults. The recommended fuse rating is 125% of rated full load amperes, with a maximum of 167%, again referring to the National Electric Code.

When fusing either the primary or the secondary circuits of voltage transformers that are connected line-to-ground, only one fuse should be fitted line side so that the transformer cannot remain energized from a line connection while the grounded neutral fuse is ruptured.

LINE TO LINE



LINE TO GROUND NEUTRAL



ORDERING INFORMATION

MODEL NO.	VOLTAGE RATING	TURNS RATIO	PART NUMBER
PT600	600 : 120	5 : 1	PT600120