



Chipsmall Limited consists of a professional team with an average of over 10 year of expertise in the distribution of electronic components. Based in Hongkong, we have already established firm and mutual-benefit business relationships with customers from,Europe,America and south Asia,supplying obsolete and hard-to-find components to meet their specific needs.

With the principle of “Quality Parts,Customers Priority,Honest Operation,and Considerate Service”,our business mainly focus on the distribution of electronic components. Line cards we deal with include Microchip,ALPS,ROHM,Xilinx,Pulse,ON,Everlight and Freescale. Main products comprise IC,Modules,Potentiometer,IC Socket,Relay,Connector.Our parts cover such applications as commercial,industrial, and automotives areas.

We are looking forward to setting up business relationship with you and hope to provide you with the best service and solution. Let us make a better world for our industry!



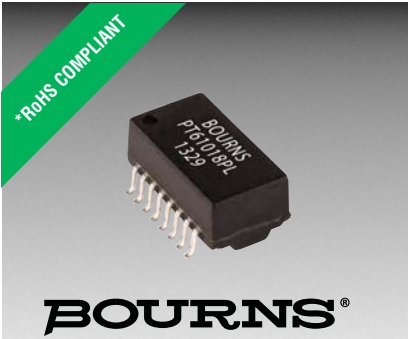
## Contact us

Tel: +86-755-8981 8866 Fax: +86-755-8427 6832

Email & Skype: info@chipsmall.com Web: www.chipsmall.com

Address: A1208, Overseas Decoration Building, #122 Zhenhua RD., Futian, Shenzhen, China





## Features

- IEEE 802.3 Ethernet compatible
- Dual channel 16-pin SMD
- Wide operating temperature range: -40 to +85 °C
- RoHS compliant\*

## Applications

- Ethernet

# PT61018PEL - LAN 10/100 Base-Tx

### Electrical Specifications @ 25 °C

Inductance - OCL	.....	350 $\mu$ H min. @ 100 KHz,
		0.1 Vrms, 8 mA DC Bias
Turns Ratio ( $\pm 5\%$ )	.....	1CT*:1CT*
DCR	.....	1.2 $\Omega$ max.
Insertion Loss		
1-100 MHz	.....	-1.15 dB max.
Return Loss		
1-30 MHz	.....	-18 dB min.
30-60 MHz	.....	-13 dB min.
60-80 MHz	.....	-12 dB min.
Common Mode Rejection		
1-60 MHz	.....	-37 dB Min.
60-100 MHz	.....	-28 dB Min.
Crosstalk		
1-60 MHz	.....	-40 dB Min.
60-100 MHz	.....	-35 dB Min.
Hipot		
@1 mA, 2 sec.	.....	1.5K Vrms
Operating Temperature	.....	-40 to +85 °C
Storage Temperature	.....	-40 to +85 °C

\*CT: Center tap

### Material

Termination..... Tin

### Packaging Specifications

Tape & Reel..... 600 pcs./reel

### How To Order

Model	PT61018 P E L
Construction	P = Potted
Packaging	E = Tape and Reel (600 pcs./reel)
Termination	L = Tin only (RoHS Compliant)

# BOURNS®

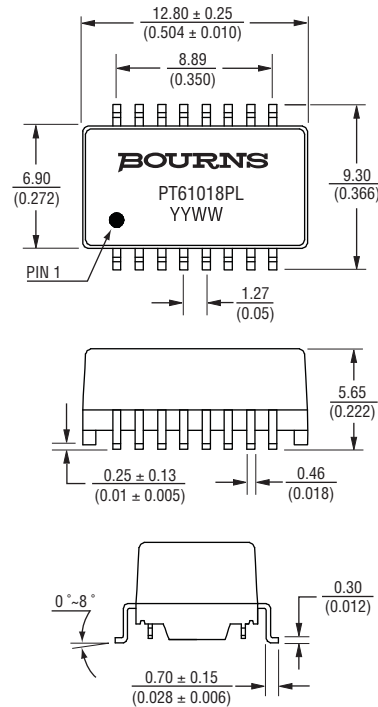
**Asia-Pacific:**  
Tel: +886-2 2562-4117  
Fax: +886-2 2562-4116

**EMEA:**  
Tel: +36 88 520 390  
Fax: +36 88 520 211

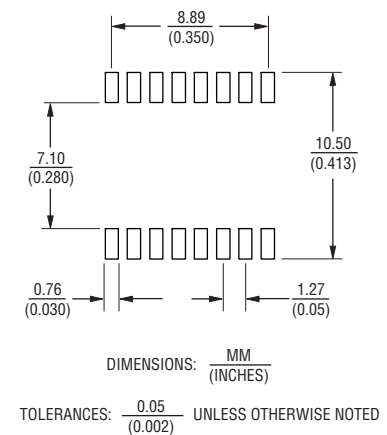
**The Americas:**  
Tel: +1-951 781-5500  
Fax: +1-951 781-5700

[www.bourns.com](http://www.bourns.com)

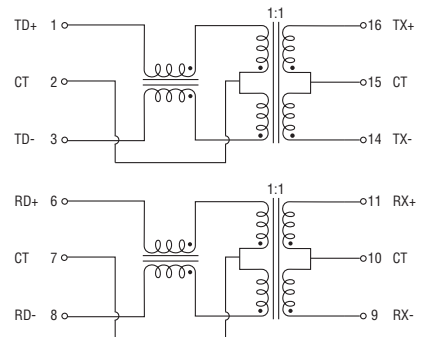
### Product Dimensions



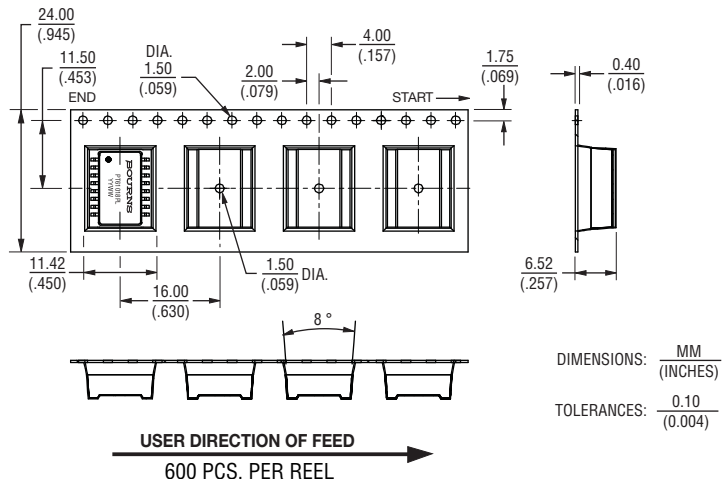
### Recommended Layout



### Electrical Schematic



### Packaging Specifications



\*RoHS Directive 2002/95/EC Jan. 27, 2003 including annex and RoHS Recast 2011/65/EU June 8, 2011. Specifications are subject to change without notice. The device characteristics and parameters in this data sheet can and do vary in different applications and actual device performance may vary over time. Users should verify actual device performance in their specific applications.