



Chipsmall Limited consists of a professional team with an average of over 10 year of expertise in the distribution of electronic components. Based in Hongkong, we have already established firm and mutual-benefit business relationships with customers from,Europe,America and south Asia,supplying obsolete and hard-to-find components to meet their specific needs.

With the principle of “Quality Parts,Customers Priority,Honest Operation,and Considerate Service”,our business mainly focus on the distribution of electronic components. Line cards we deal with include Microchip,ALPS,ROHM,Xilinx,Pulse,ON,Everlight and Freescale. Main products comprise IC,Modules,Potentiometer,IC Socket,Relay,Connector.Our parts cover such applications as commercial,industrial, and automotives areas.

We are looking forward to setting up business relationship with you and hope to provide you with the best service and solution. Let us make a better world for our industry!



Contact us

Tel: +86-755-8981 8866 Fax: +86-755-8427 6832

Email & Skype: info@chipsmall.com Web: www.chipsmall.com

Address: A1208, Overseas Decoration Building, #122 Zhenhua RD., Futian, Shenzhen, China



Features

- Operating voltage : 3.5~5.5V
- Few external components
- No start to turn on Relay without oscillation.
- TO-94 package

Description

PT8A2513NE is CMOS LSI chip designed as a universal timer. It can handle normal timing control. PT8A2513NE provides simple universal timer for various equipments, the chip is enclosed in a 4-pin TO-94

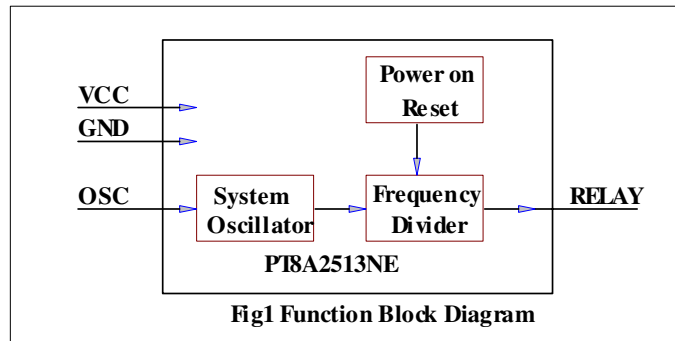
Ordering Information

Part Number	Package
PT8A2513NE	TO-94 Lead free

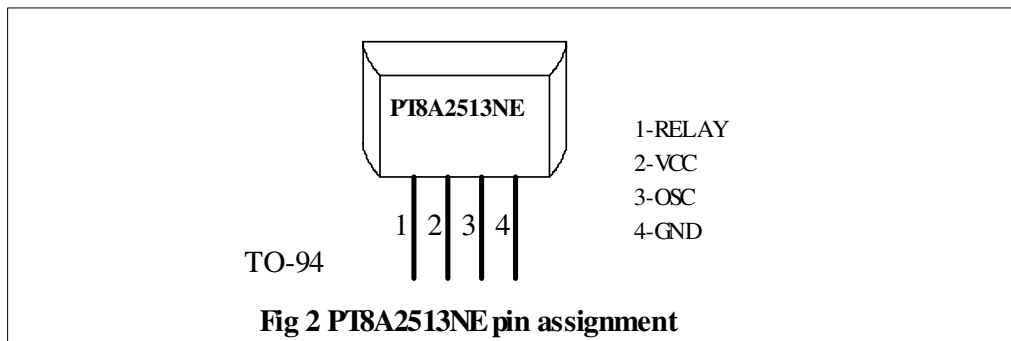
Applications

- Electronic Iron, Cooker, Oven, Fryer and others.

Block Diagram



Pin Assignment



Pin Description

Name	Pin No.	Type	Description
RELAY	1	O	Relay control output, high active
VCC	2	-	Power supply
OSC	3	I/O	Input/output of RC oscillator
GND	4	-	GND

Maximum Rating

Storage Temperature.....	- 25°C to +85°C
Supply Voltage to Ground Potential (Inputs & V _{CC} only).....	- 0.5 to +5.5V
Supply Voltage to Ground Potential (Outputs only)	- 0.5 to +5.5V
DC Input Voltage	- 0.5V to +5.5V
Output Current	20mA
Power Dissipation.....	500mW

Note:
Stresses greater than those listed under AXIMUM RATINGS may cause permanent damage to the device. This is a stress rating only and functional operation of the device at these or any other conditions above those indicated in the operational sections of this specification is not implied. Exposure to absolute maximum rating conditions for extended periods may affect reliability.

Recommended Operating Conditions

Symbol	Pin	Description	Min	Typical	Max	Unit
V _{CC}	V _{CC}	Supply voltage	3.5	4	5.5	V
T _a	-	Operation Temperature	0	25	85	°C

DC Electrical Characteristics

(T_A = 0 ~ 85°C, unless otherwise noted)

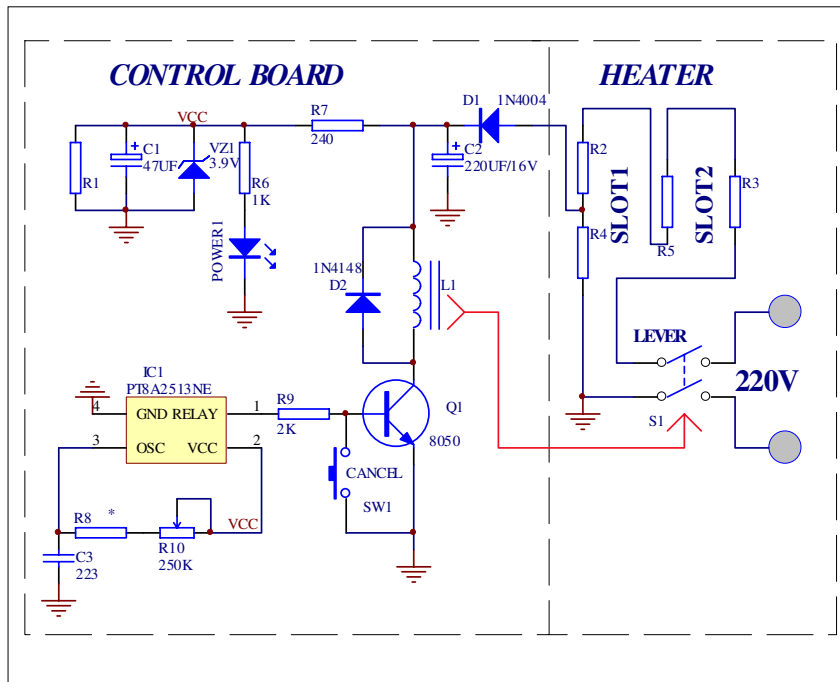
Symbol	Description	Test Conditions	Min	Typical	Max	Unit
IOH	Output source current	V _{CC} = 3.5V, VOH=2.0V	-12	-	-	mA
IOL	Output sink current	V _{CC} = 3.5V, VOL=0.5V	0.5	-	-	mA
FOSC	Frequency of oscillator	V _{CC} = 4.0V R _{osc} =56K,C _{osc} =223	952	1024	1096	Hz

AC Electrical Characteristics

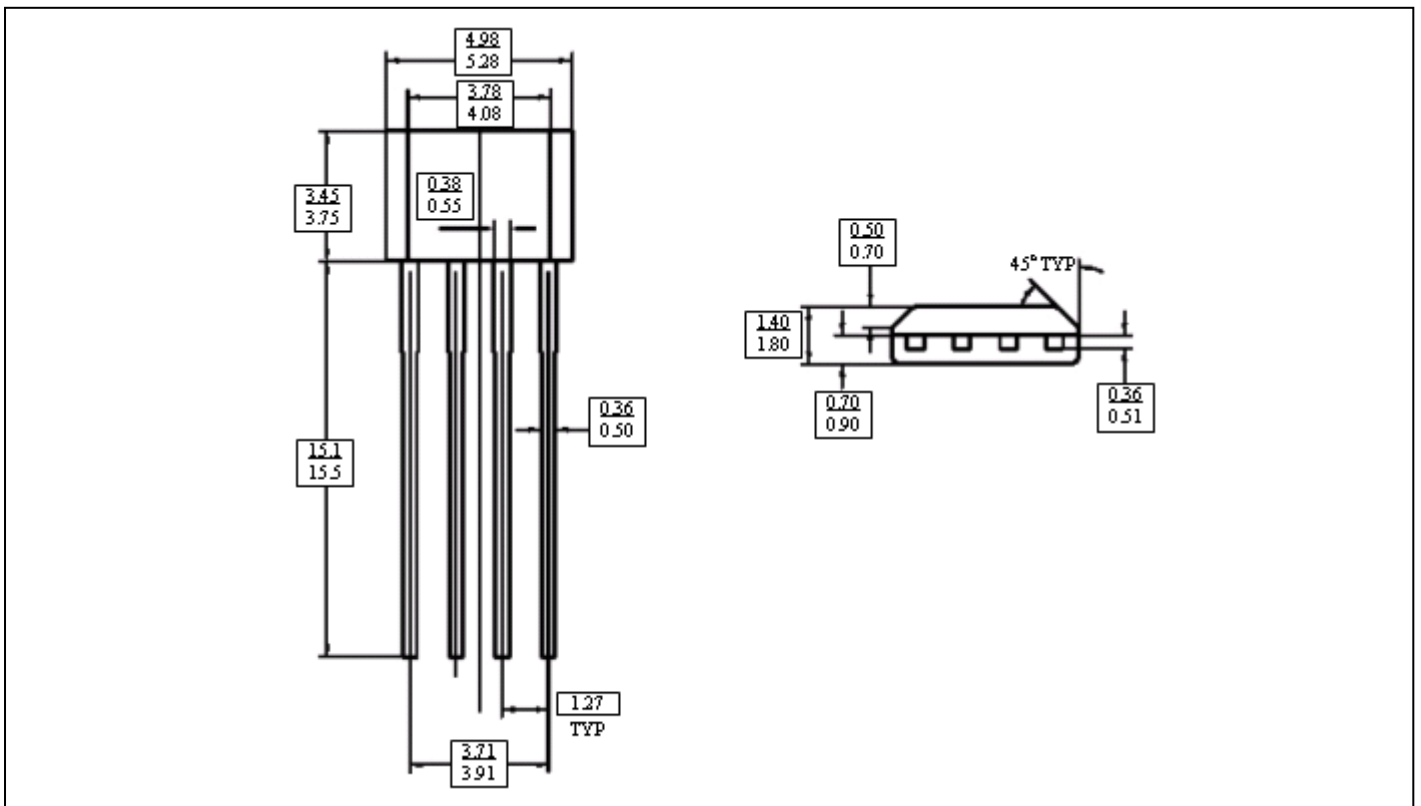
(T_A = 0 ~ 85°C, unless otherwise noted)

Symbol	Description	Test Conditions	Min	Typical	Max	Unit
I _{CC}	Current consumption	V _{CC} = 4.0V R _{osc} =56K,C _{osc} =223	-	-	100	μA

Application Circuit



Mechanical Information
TO-94



Notes

Pericom Technology Inc.

Email: support@pti.com.cn Web Site: www.pti.com.cn, www.pti-ic.com

China: No. 20 Building, 3/F, 481 Guiping Road, Shanghai, 200233, China
Tel: (86)-21-6485 0576 Fax: (86)-21-6485 2181

Asia Pacific: Unit 1517, 15/F, Chevalier Commercial Centre, 8 Wang Hoi Rd, Kowloon Bay, Hongkong
Tel: (852)-2243 3660 Fax: (852)- 2243 3667

U.S.A.: 3545 North First Street, San Jose, California 95134, USA
Tel: (1)-408-435 0800 Fax: (1)-408-435 1100

Pericom Technology Incorporation reserves the right to make changes to its products or specifications at any time, without notice, in order to improve design or performance and to supply the best possible product. Pericom Technology does not assume any responsibility for use of any circuitry described other than the circuitry embodied in Pericom Technology product. The company makes no representations that circuitry described herein is free from patent infringement or other rights, of Pericom Technology Incorporation.