



Chipsmall Limited consists of a professional team with an average of over 10 year of expertise in the distribution of electronic components. Based in Hongkong, we have already established firm and mutual-benefit business relationships with customers from,Europe,America and south Asia,supplying obsolete and hard-to-find components to meet their specific needs.

With the principle of “Quality Parts,Customers Priority,Honest Operation,and Considerate Service”,our business mainly focus on the distribution of electronic components. Line cards we deal with include Microchip,ALPS,ROHM,Xilinx,Pulse,ON,Everlight and Freescale. Main products comprise IC,Modules,Potentiometer,IC Socket,Relay,Connector.Our parts cover such applications as commercial,industrial, and automotives areas.

We are looking forward to setting up business relationship with you and hope to provide you with the best service and solution. Let us make a better world for our industry!



Contact us

Tel: +86-755-8981 8866 Fax: +86-755-8427 6832

Email & Skype: info@chipsmall.com Web: www.chipsmall.com

Address: A1208, Overseas Decoration Building, #122 Zhenhua RD., Futian, Shenzhen, China



Features

- Operating voltage: 3.5V~5.5V
- Have Reset function
- Relay output disable without external oscillator
- Adjustable Timer: 30s~20mins
- Few external components
- Low cost TO-94 and SOT23-5 package

Applications

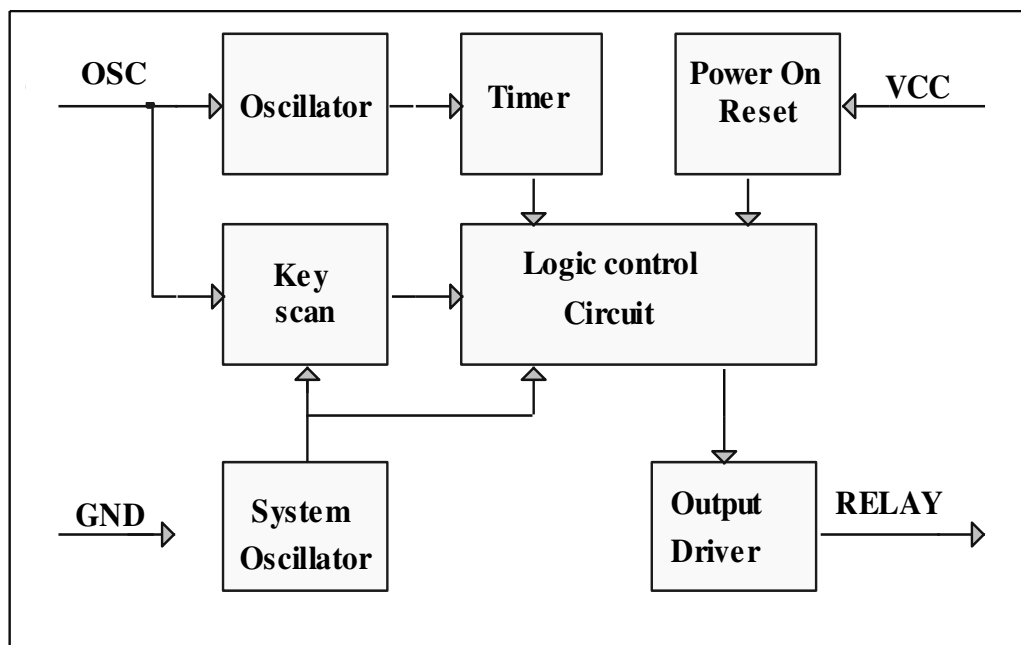
- Toaster Controller
- Timer

Description

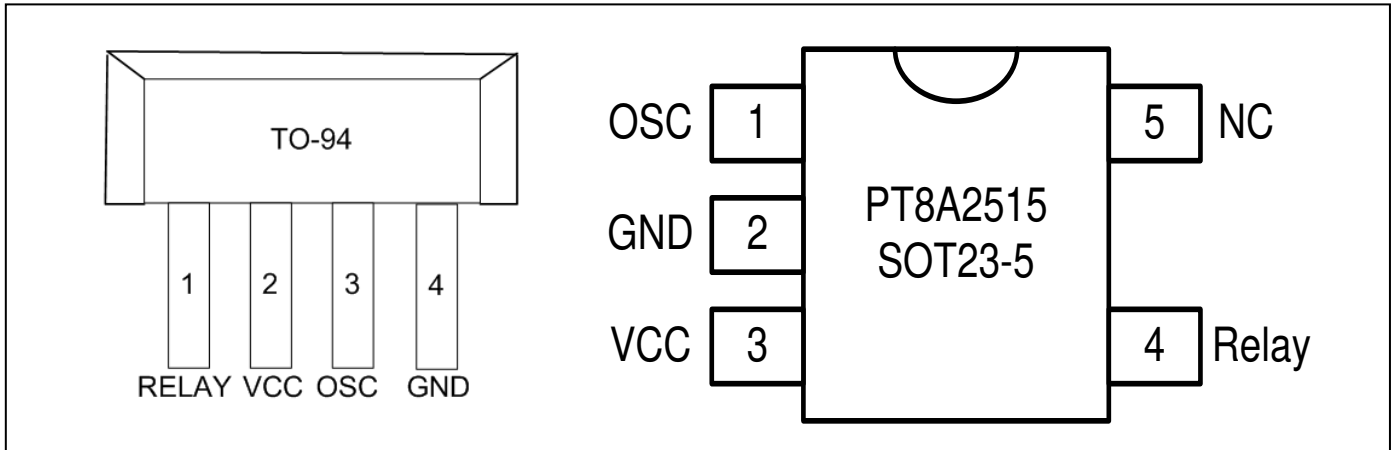
The PT8A2515 is a CMOS LSI chip designed for timer applications, the time can be adjusted by external R/C. It has reset function.

The chip includes: Power on reset circuit, Logic control circuit, Output driver circuit, Key scan circuit, timer circuit, Built-in internal oscillator and external R/C oscillator circuit etc. It is enclosed in lead free TO-94 and SOT23-5 package.

Block Diagram



Pin Configuration



Pin Description

Pin No.		Pin Name	I/O	Description
TO-94	SOT23-5			
1	4	Relay	O	Relay output, high active
2	3	VCC	I	Power supply
3	1	OSC	I/O	Oscillator's Frequency of 8.192KHz with an external R1, C1. As input, requires a negative pulse to active "Reset" function.
4	2	GND	I	Ground
-	5	NC	-	Not connected

Function Description (Refer to Block Diagram)

The chip mainly includes: Power on reset circuit, Logic control circuit, Output driver circuit, Key scan circuit, timer circuit, external R/C oscillator circuit and internal oscillator circuit etc.

Power on reset circuit

Internal power on reset circuit will reset all the logic circuit and the timer; it will clear all output pins when power on.

Logic control circuit

The logic circuit will carries out all the logic control function. It will check OSC pin status, then control the output drive circuit, when timer is out, it will pull down Relay pin to release relay.

Output driver circuit

The pin Relay will drive a relay.

Key scan circuit

This circuit will detect "Reset/Restart" key at OSC have a low negative pulse, it will active the corresponding work status. When IC worked at timer, it will reset the timer; when timer is out, it will reset the timer and restart the output.

Timer circuit

This circuit will provide a timer to logic control circuit. When $F_{osc} = 8.192 \text{ KHz}$, timer output is $245720/8192=30s$.

External R/C Oscillator circuit

This will produce a system frequency depend on external resistor and cap, the frequency is about 8.192 KHz when $R1=47 \text{ K}\Omega$ and $C1=332$. (Refer to Fig 1).

Note: The system frequency with external resistor and cap must be between 180Hz to 20 KHz.

Internal oscillator

An on-chip RC oscillator with frequency about 256 KHz is used to check the input signal and the wrong statue of external RC oscillator.

Maximum Ratings

Storage Temperature.....	- 40°C to +125°C
Supply Voltage to Ground Potential (Inputs & V _{CC} only).....	- 0.5 to V _{CC} +0.5V
Supply Voltage to Ground Potential (Outputs & D/O only) ...	- 0.5 to V _{CC} +0.5V
DC Input Voltage	- 0.5V to V _{CC} +0.5V
DC Output Current	20mA
Power Dissipation.....	500mW

Note:

Stresses greater than those listed under MAXIMUM RATINGS may cause permanent damage to the device. This is a stress rating only and functional operation of the device at these or any other conditions above those indicated in the operational sections of this specification is not implied. Exposure to absolute maximum rating conditions for extended periods may affect reliability.

Recommended Operation Conditions

Sym	Description	Min	Typ	Max	Unit
V _{CC}	Supply voltage.	3.5	5.0	5.5	V
V _{IH}	“H” Input Voltage	0.8 V _{CC}	-	-	V
V _{IL}	“L” Input Voltage	-	-	0.35 V _{CC}	V
T _A	Operation temperature	0	25	85	°C

DC Electrical Characteristics

(Unless otherwise noted, V_{CC}= 5V, T_A = 0 ~ 85°C)

Symbol	Parameter	Test Condition	Min	Typ	Max	Unit
I _{OH}	Output Source Current (Relay)	V _{OH} =4.5V	-10	-	-	mA
I _{OL}	Output Sink Current(Relay)	V _{OL} =0.5V	10	-	100	uA
F _{OSC}	Frequency of normal oscillator	R1=47KΩ C1=332, see Fig 1	7808	8192	8576	Hz
I _{CC}	Power supply current	V _{CC} =5V, R1=47 KΩ, C1=332, all output floating. See Fig 1	-	-	500	μA

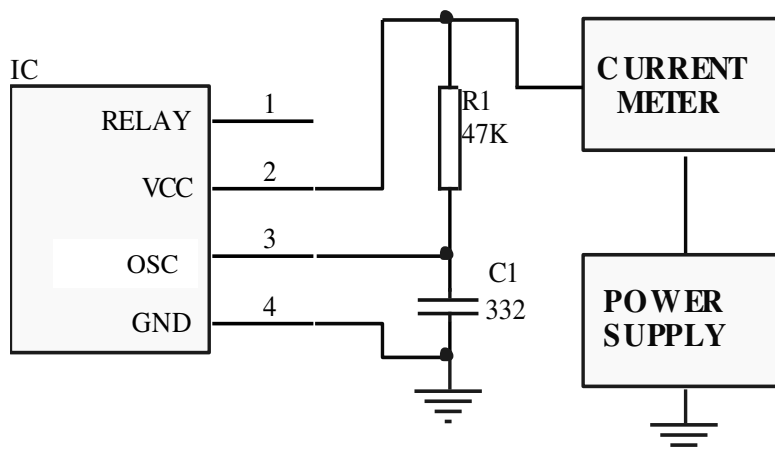
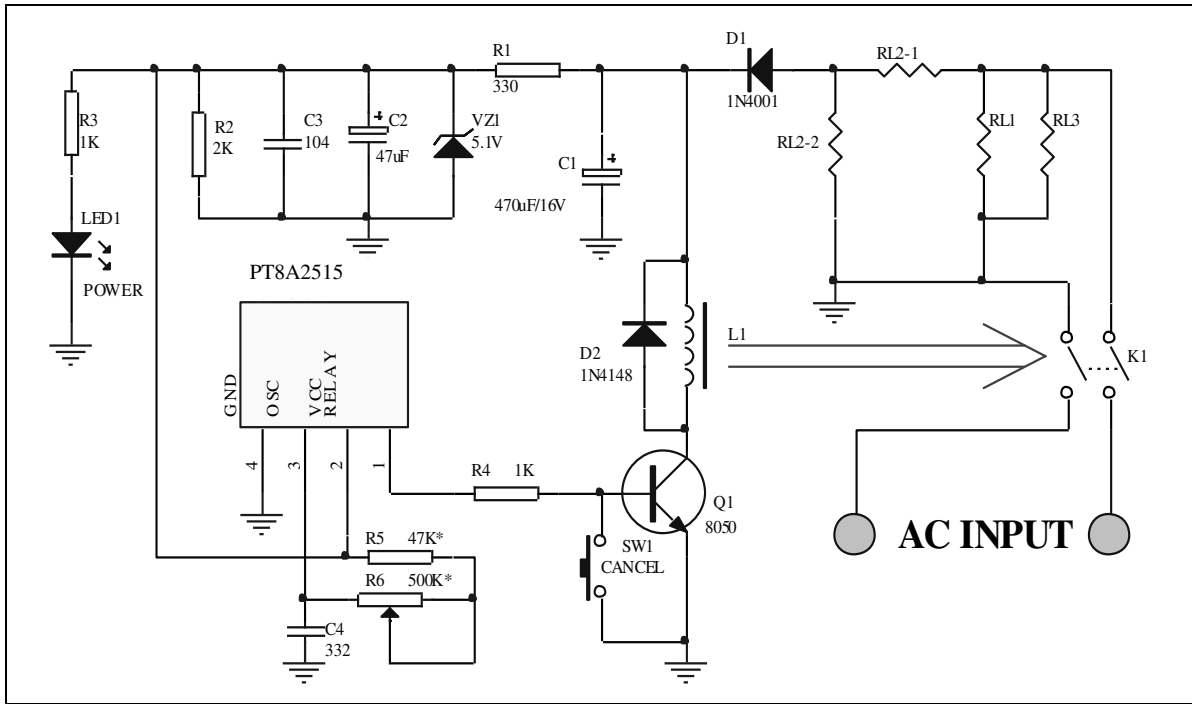
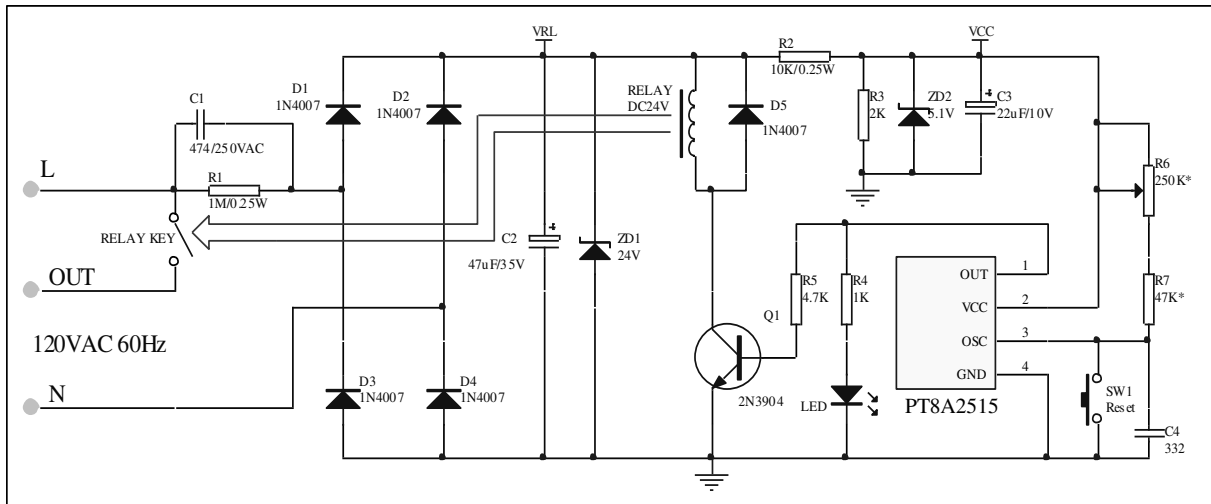


Fig1 Test circuit

Typical Application Circuit



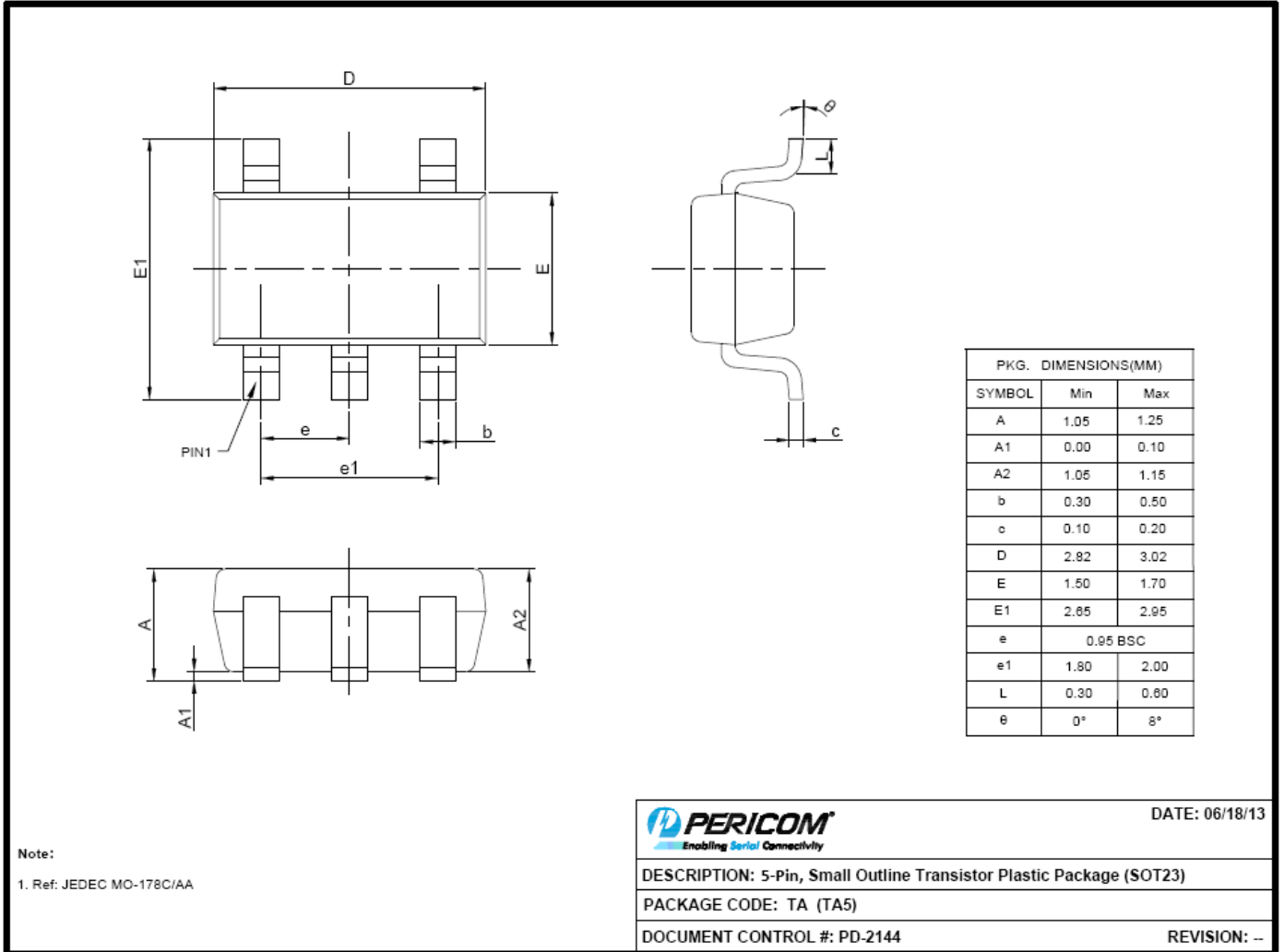
Toaster Application Circuit



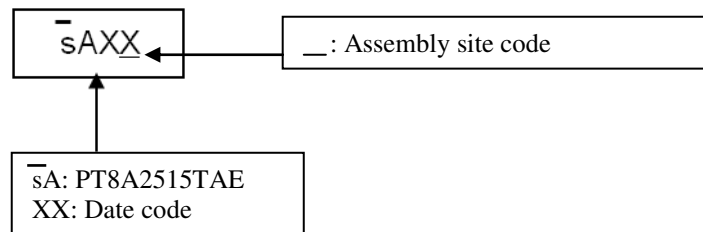
Timer Application Circuit

Mechanical Information

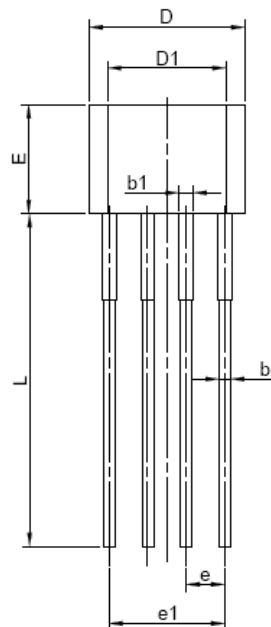
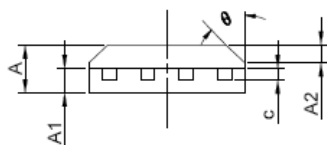
TA(SOT23-5)



Top Mark Instruction of SOT23-5 package



TO-94



PKG. DIMENSIONS(MM)		
SYMBOL	Min	Max
A	1.40	1.80
A1	0.70	0.90
b	0.38	0.50
b1	0.38	0.55
c	0.36	0.51
D	4.98	5.28
D1	3.78	4.08
e	1.27 TYP	
E	3.45	3.75
e1	3.71	3.91
L	14.90	15.30
θ	45° BSC	

Note:



DATE: 06/18/13

DESCRIPTION: 4-Pin, TO94

PACKAGE CODE: N (N4)

DOCUMENT CONTROL #: PD-2150

REVISION: -

Ordering Information

Part No.	Package Code	Package
PT8A2515NE*	N	Lead free TO-94
PT8A2515TAE	TA	Lead free and Green SOT23-5

Note:

- E = Pb-free or Pb-free and Green
- Adding X Suffix= Tape/Reel
- *: Contact Pericom for Availability.

Pericom Semiconductor Corporation • 1-800-435-2336 • www.pericom.com

Pericom Technology Incorporation reserves the right to make changes to its products or specifications at any time, without notice, in order to improve design or performance and to supply the best possible product. Pericom Technology does not assume any responsibility for use of any circuitry described other than the circuitry embodied in Pericom Technology product. The company makes no representations that circuitry described herein is free from patent infringement or other rights, of Pericom Technology Incorporation