



Chipsmall Limited consists of a professional team with an average of over 10 year of expertise in the distribution of electronic components. Based in Hongkong, we have already established firm and mutual-benefit business relationships with customers from,Europe,America and south Asia,supplying obsolete and hard-to-find components to meet their specific needs.

With the principle of “Quality Parts,Customers Priority,Honest Operation,and Considerate Service”,our business mainly focus on the distribution of electronic components. Line cards we deal with include Microchip,ALPS,ROHM,Xilinx,Pulse,ON,Everlight and Freescale. Main products comprise IC,Modules,Potentiometer,IC Socket,Relay,Connector.Our parts cover such applications as commercial,industrial, and automotives areas.

We are looking forward to setting up business relationship with you and hope to provide you with the best service and solution. Let us make a better world for our industry!



Contact us

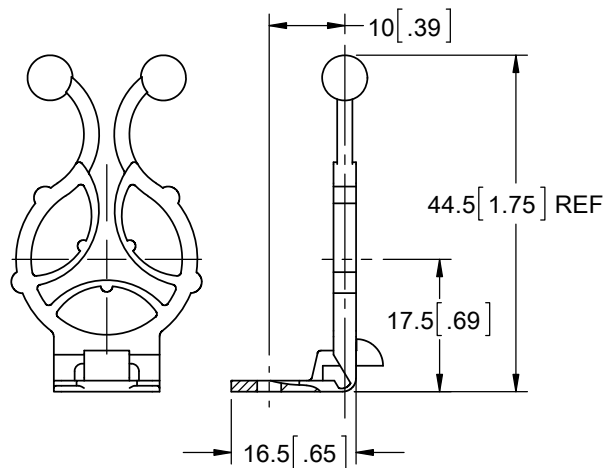
Tel: +86-755-8981 8866 Fax: +86-755-8427 6832

Email & Skype: info@chipsmall.com Web: www.chipsmall.com

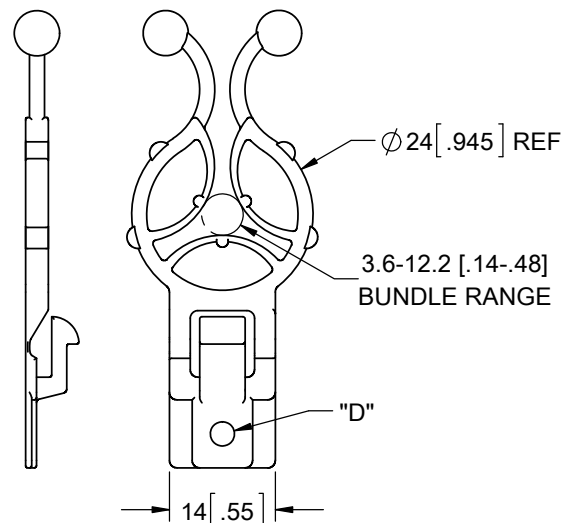
Address: A1208, Overseas Decoration Building, #122 Zhenhua RD., Futian, Shenzhen, China



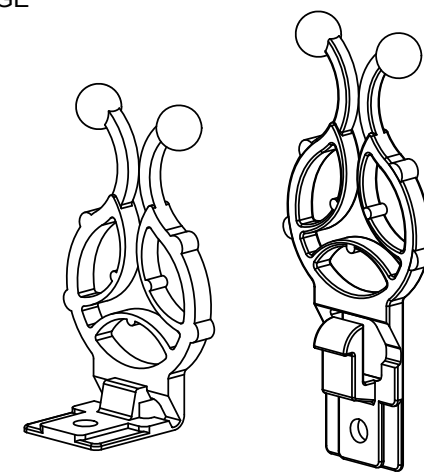
NYLON 6/6 UL94 V-2 (RMS-01) COLOR: NATURAL PART NO.	NYLON 6/6 UL94 V-0 (RMS-19) COLOR: NATURAL PART NO.	HOLE DIA. "D"	RECOMMENDED SCREW SIZE
WTLH90-300-4-01	WTLH90-300-4-19	3.2 [.13]	M3 [#4]
WTLH90-300-6-01	WTLH90-300-6-19	3.8 [.15]	M3.5 [#6]
WTLH90300-M4-01	WTLH90300-M4-19	4.3 [.17]	M4



LOCKED



AS MOLDED



NOTES:

1. ALTERNATE UNITS FOR REFERENCE ONLY

TITLE: WEBBED TWIST-LOCK-HINGED 90 - 300			UNITS: mm [IN]		FINAL	
CREATED USING SOLIDWORKS	FILE #: WTLH90	DWN: SK	APP: SK			
GENERAL TOLERANCE UNLESS NOTED ±0.25 ANG. ±1°	SHEET: 1 OF 1	SHEET SIZE: A	DT: 02/21/2012	CHKD: DZ	PART #	
	RE: RICHCO, INC.		RICHCO, INC.	WWW.RICHCO-INC.COM	SEE TABLE	PRINT TYPE CA
H	SEE CO 200773 FOR CHANGES	SK	04/30/12			
G	REDRAWN, SEE CO 200760	SK	02/27/2012			
-	SEE ENGINEERING FOR REV A TO F	-	-----			
REV.	DESCRIPTION	ENGR.	DATE			