



Chipsmall Limited consists of a professional team with an average of over 10 year of expertise in the distribution of electronic components. Based in Hongkong, we have already established firm and mutual-benefit business relationships with customers from,Europe,America and south Asia,supplying obsolete and hard-to-find components to meet their specific needs.

With the principle of “Quality Parts,Customers Priority,Honest Operation,and Considerate Service”,our business mainly focus on the distribution of electronic components. Line cards we deal with include Microchip,ALPS,ROHM,Xilinx,Pulse,ON,Everlight and Freescale. Main products comprise IC,Modules,Potentiometer,IC Socket,Relay,Connector.Our parts cover such applications as commercial,industrial, and automotives areas.

We are looking forward to setting up business relationship with you and hope to provide you with the best service and solution. Let us make a better world for our industry!



## Contact us

Tel: +86-755-8981 8866 Fax: +86-755-8427 6832

Email & Skype: info@chipsmall.com Web: www.chipsmall.com

Address: A1208, Overseas Decoration Building, #122 Zhenhua RD., Futian, Shenzhen, China





# Product Information

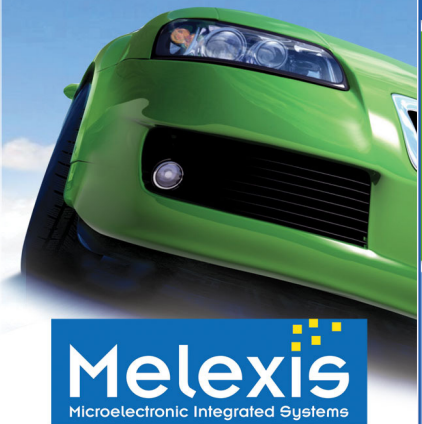
## MLX80104/5

### LIN Switch Slave



This IC is a fully integrated LIN Slave for matrix switch or single switch Applications in automotive environment. It is suitable for bus systems according to LIN 2.x as well as SAE J2602.

The combination of physical layer LIN transceiver and LIN protocol controller in combination with easy to configure switch inputs and PWM outputs make it possible to develop in a short timeframe simple, but powerful and cheap switch slave nodes for LIN Bus systems.



## Features

### LIN Protocol Controller according to LIN 2.x and SAE J2602

- Baudrate up to 19.2 kBaud
- Internal RC-Oscillator
- MULAN MCU with 16kB ROM/OTP, 512 Byte RAM, 192 Byte EEPROM with ECC)

### LIN Transceiver according to LIN 2.x and SAE J2602

- Slew rate control for best EME behavior
- High EMI immunity

### IO Configuration

- 18 fully configurable high current/high voltage inputs/outputs (8mA/26.5V)
- Groundshift tolerant I/Os
- All IOs configurable pull up or pull down characteristics
- Eight PWM outputs (8-bit, 40Hz to 45kHz)
- Ten 10-bit ADC channels
- Eight Interrupt capable Inputs
- Configurable Wake up sources (LIN, IOs, ADC)
- Constant current output (2mA) for additional external low voltage loads via bipolar transistor
- IOs fully diagnosable
- Two stage watchdog system: window watchdog and additional independent analog watchdog

### Voltage Regulator

- Direct powered from 12V board net
- Low standby current consumption of typ 10µA (max 20 µA) in sleep mode
- Over-temperature shutdown
- 45V load dump protected

### Other Features

- Automotive Temperature Range of -40°C to 125°C
- Small MLPQ 5x5 28pin package

Bus ICs

BLDC Motor  
Control ICs

Pressure Sensors

Wireless ICs

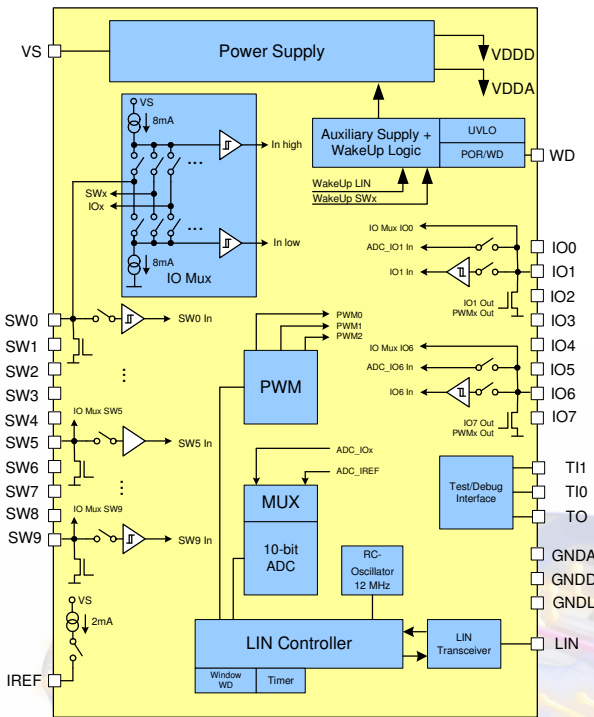
Hall Effect ICs  
And Sensors

Optoelectronic  
Sensors

Sensor Interface ICs

Infrared Sensors

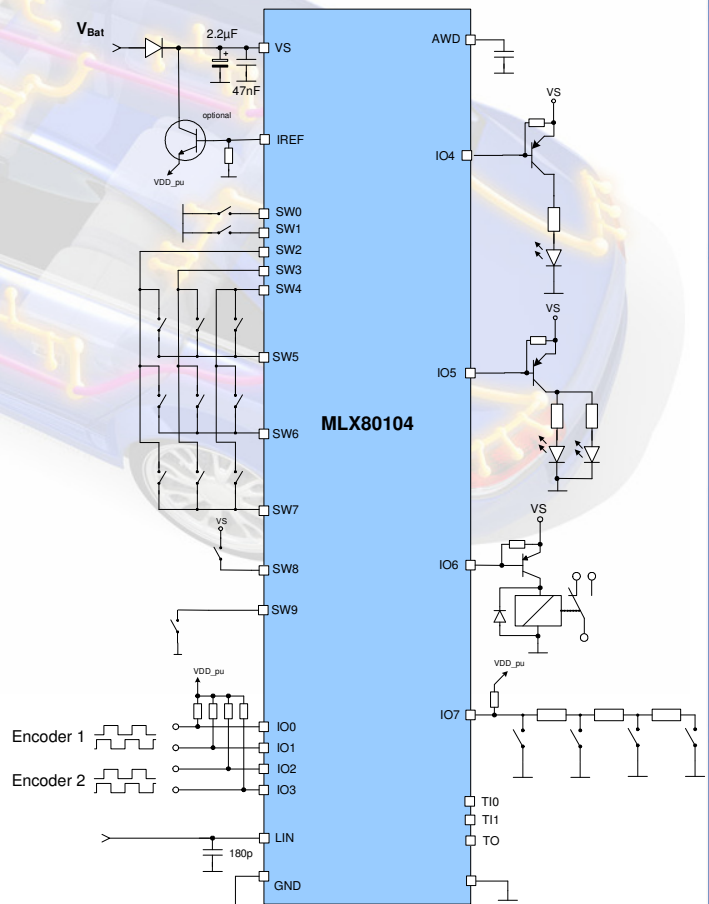
## Block Diagram



## Applications

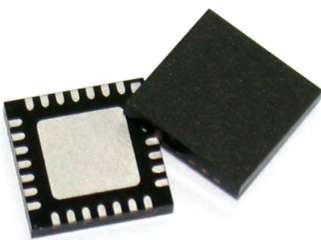
- Steering wheel switches
- Seat and Window switches
- Headlights rotary switch
- Dashboard switches , ...
- Seat Heating
- ...

## Easy Application configuration



## Small Package

MLF 5x5 28 pins



We Engineer The Sustainable Future

**Melexis**  
Microelectronic Integrated Systems

For additional information email [info@melexis.com](mailto:info@melexis.com) or go to our website at: [www.melexis.com](http://www.melexis.com)

### Disclaimer:

Devices sold by Melexis are covered by the warranty and patent indemnification provisions appearing in its Term of Sale. Melexis makes no warranty, express, statutory, implied, or by description regarding the information set forth herein or regarding the freedom of the described devices from patent infringement. Melexis reserves the right to change specifications and prices at any time and without notice. Therefore, prior to designing this product into a system, it is necessary to check with Melexis for current information. This product is intended for use in normal commercial applications. Applications requiring extended temperature range, unusual environmental requirements, or high reliability applications, such as military, medical life-support or life-sustaining equipment are specifically not recommended without additional processing by Melexis for each application. The information furnished by Melexis is believed to be correct and accurate. However, Melexis shall not be liable to recipient or any third party for any damages, including but not limited to personal injury, property damage, loss of profits, loss of use, interrupt of business or indirect, special incidental or consequential damages, of any kind, in connection with or arising out of the furnishing, performance or use of the technical data herein. No obligation or liability to recipient or any third party shall arise or flow out of Melexis' rendering of technical or other services. ©2010 Melexis NV. All rights reserved.

- Bus ICs
- BLDC Motor Control ICs
- Pressure Sensors
- Wireless ICs
- Hall Effect ICs And Sensors
- Optoelectronic Sensors
- Sensor Interface ICs
- Infrared Sensors