



Chipsmall Limited consists of a professional team with an average of over 10 year of expertise in the distribution of electronic components. Based in Hongkong, we have already established firm and mutual-benefit business relationships with customers from,Europe,America and south Asia,supplying obsolete and hard-to-find components to meet their specific needs.

With the principle of “Quality Parts,Customers Priority,Honest Operation,and Considerate Service”,our business mainly focus on the distribution of electronic components. Line cards we deal with include Microchip,ALPS,ROHM,Xilinx,Pulse,ON,Everlight and Freescale. Main products comprise IC,Modules,Potentiometer,IC Socket,Relay,Connector.Our parts cover such applications as commercial,industrial, and automotives areas.

We are looking forward to setting up business relationship with you and hope to provide you with the best service and solution. Let us make a better world for our industry!



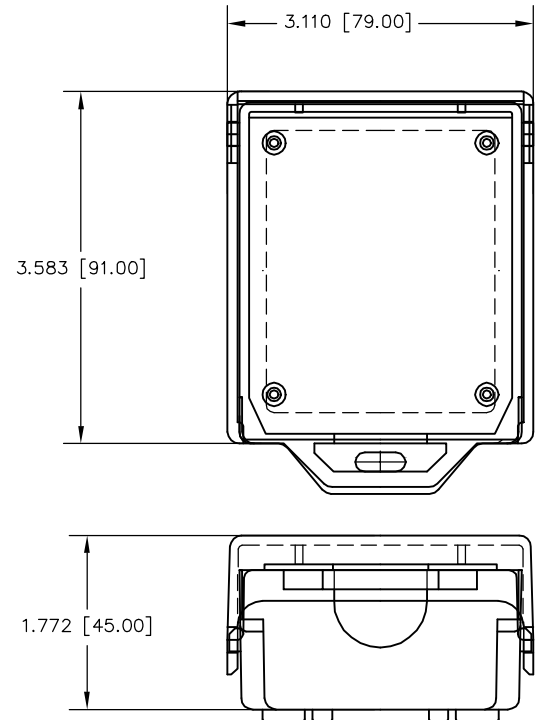
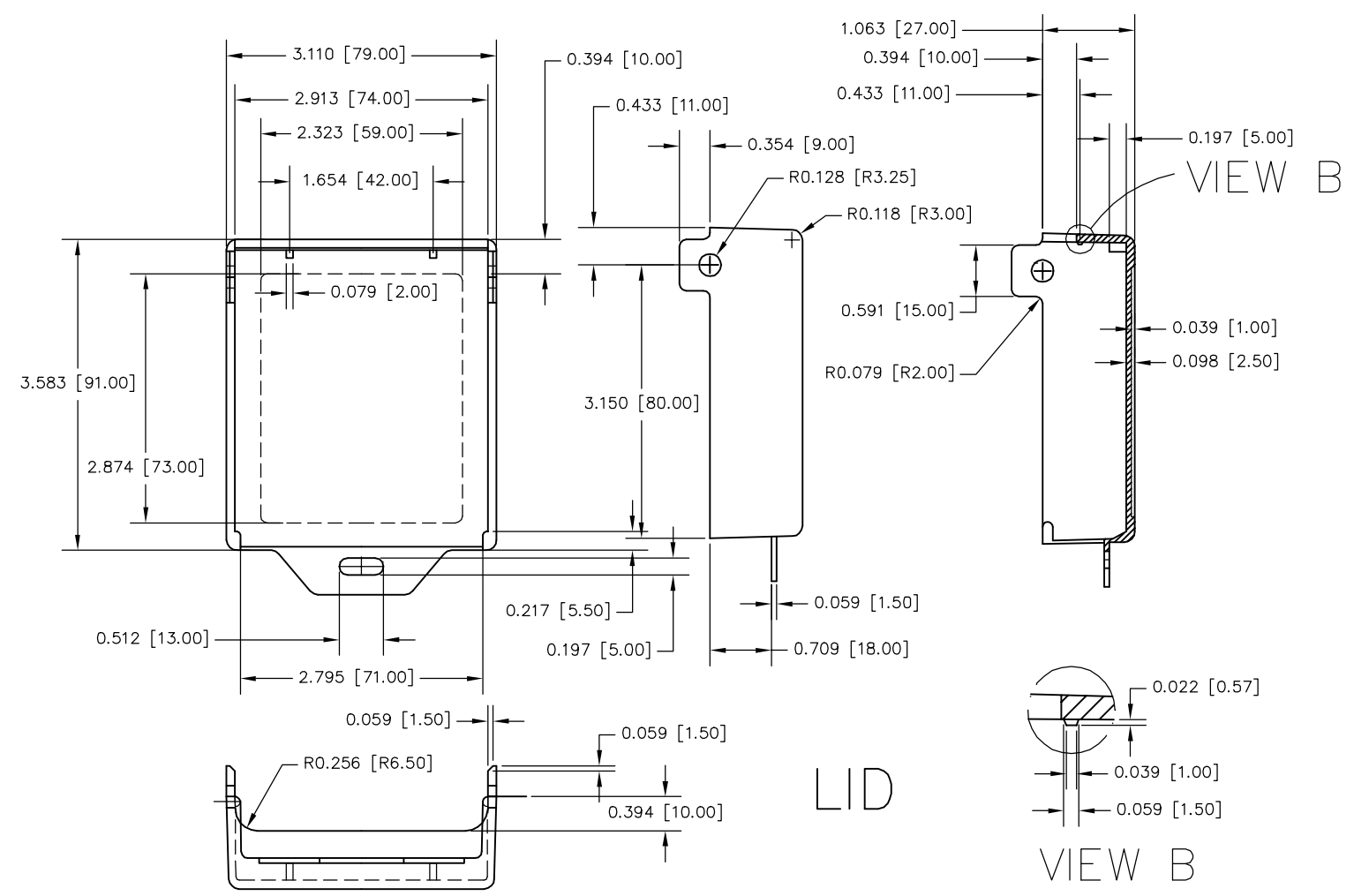
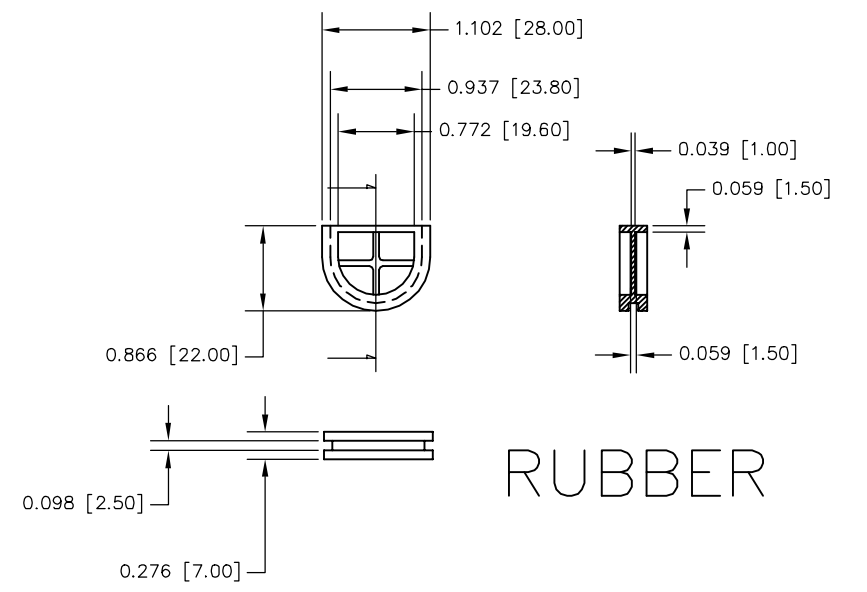
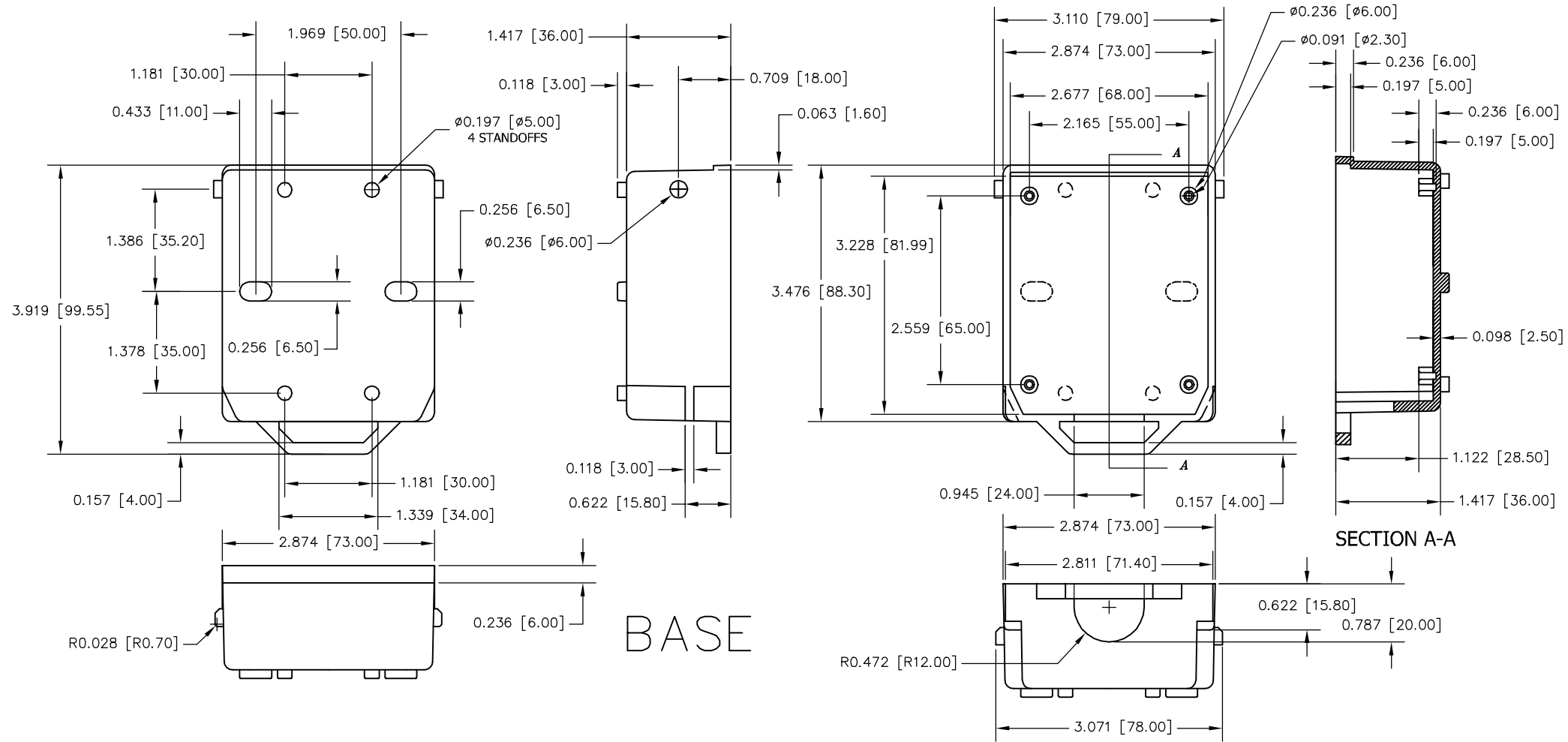
## Contact us

Tel: +86-755-8981 8866 Fax: +86-755-8427 6832

Email & Skype: info@chipsmall.com Web: www.chipsmall.com

Address: A1208, Overseas Decoration Building, #122 Zhenhua RD., Futian, Shenzhen, China





- \* MATERIAL : HIGH IMPACT OF UL94-HB ABS
- \* ORDER BY PART NUMBER BELOW, LIGHT GREY OR BLACK COLOR:  
 PTH - 11810 - G: GREY  
 PTH - 11810 - B: BLACK
- \* FINISH:  
 BASE: SMOOTH  
 LID: TEXTURED WITH SMOOTH RECESSED AREA.
- \* SNAP-IN DESIGN CAN BE OPENED AND CLOSED EASILY WITHOUT A TOOL
- \* CABLE ENTRY RUBBER CAN BE CUT EASILY WITH A KNIFE FOR CABLE CONNECTION
- \* 4 INTERNAL BOSSES ARE AVAILABLE FOR PCB ASSEMBLY. USE M2.5 OR #4 STD SHEET METAL SCREWS.
- \* IDEALLY USED FOR INDOOR/OUTDOOR TELECOMMUNICATION DEVICE.
- \* ALL DIMENSIONAL TOLERANCES ARE .015

TOLERANCES:		ITEM REQ'D	PART NO.	DESCRIPTION
±.005 BETWEEN HOLE CENTERS	AS NOTED			NAME:
±.015 FROM SHEARED EDGE	FINISH: NOTED			HINGED PLASTIC BOX
±.032 FROM A BENT SURFACE	DR. RD 10-13-08			3.58 X 3.11 X 1.77
±.063 BETWEEN ASSEMBLED SURFACES	CH.			BUD INDUSTRIES, INC
UNLESS OTHERWISE SPECIFIED	APP.			WILLOUGHBY, OHIO
QTY.	USED ON			DWG. NO. PTH-11810