



Chipsmall Limited consists of a professional team with an average of over 10 year of expertise in the distribution of electronic components. Based in Hongkong, we have already established firm and mutual-benefit business relationships with customers from,Europe,America and south Asia,supplying obsolete and hard-to-find components to meet their specific needs.

With the principle of “Quality Parts,Customers Priority,Honest Operation,and Considerate Service”,our business mainly focus on the distribution of electronic components. Line cards we deal with include Microchip,ALPS,ROHM,Xilinx,Pulse,ON,Everlight and Freescale. Main products comprise IC,Modules,Potentiometer,IC Socket,Relay,Connector.Our parts cover such applications as commercial,industrial, and automotives areas.

We are looking forward to setting up business relationship with you and hope to provide you with the best service and solution. Let us make a better world for our industry!



Contact us

Tel: +86-755-8981 8866 Fax: +86-755-8427 6832

Email & Skype: info@chipsmall.com Web: www.chipsmall.com

Address: A1208, Overseas Decoration Building, #122 Zhenhua RD., Futian, Shenzhen, China

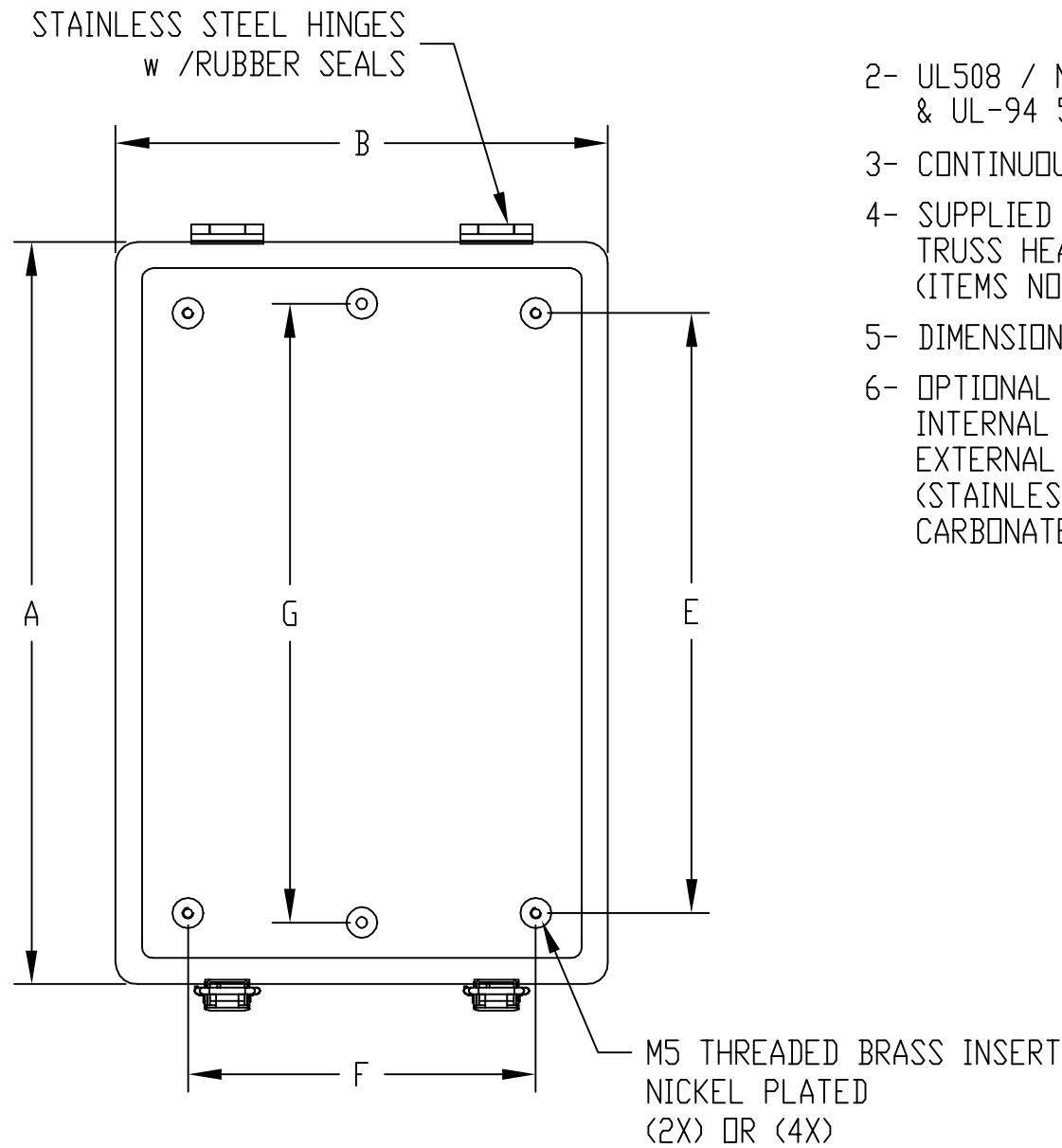


BUD	PART NAME	PTH SERIES NEMA 4X PLASTIC BOX LANDSCAPE ORIENTATION (HINGED ON SHORT SIDE)	PART No.	PTH-22706-L THRU PTH-22706-LC	PTH-22780-L THRU PTH-22780-LC	REV. DATE	12-1-17

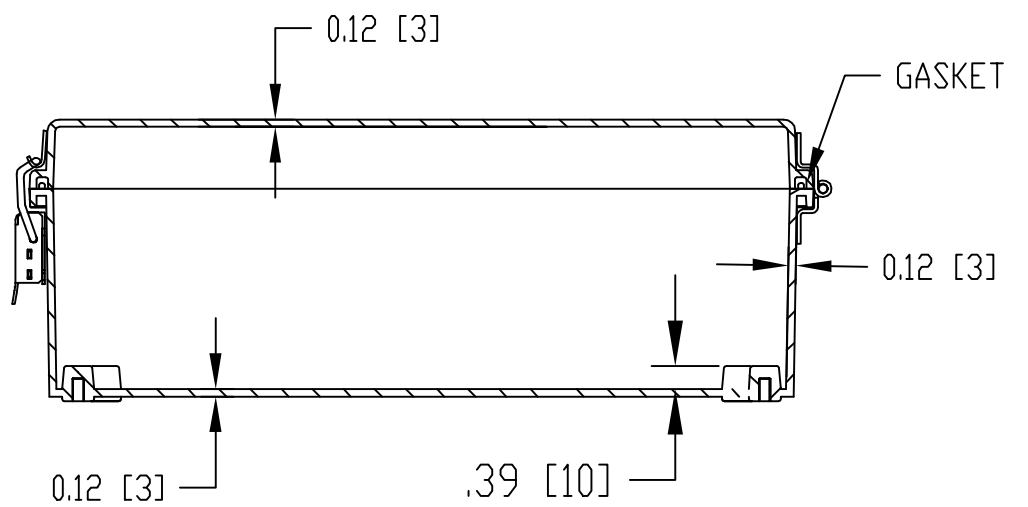
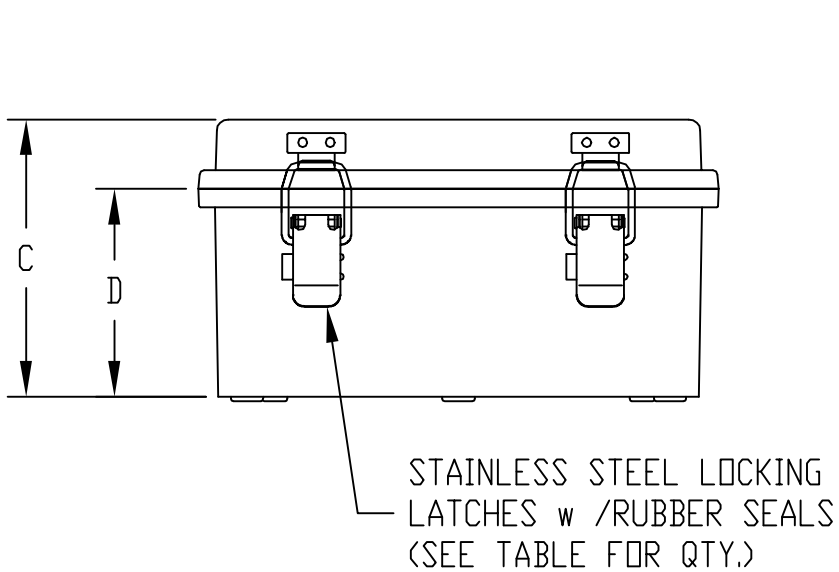
DRAWING FOR REFERENCE
 WE RESERVE THE RIGHT TO MAKE CHANGES TO OUR
 STANDARD PRODUCTS. PLEASE CONSULT WITH BUD INDUSTRIES
 PRIOR TO USING THIS DRAWING FOR DESIGN PURPOSE.

NOTES:

- 1- MATERIAL: BODY - GRAY POLYCARBONATE RESIN
10% GLASS FIBER FILLED
COVER - GRAY POLYCARBONATE OR
CLEAR (-C SUFFIX) POLY-
CARBONATE
- 2- UL508 / NEMA TYPE 4X WITH IP-67 TUV RATING
& UL-94 5VA
- 3- CONTINUOUS Poured NEOPRENE GASKET IN COVER
- 4- SUPPLIED WITH TWO OR FOUR M5 x 8mm LG.
TRUSS HEAD ZINC PLATED STEEL SCREWS
(ITEMS NOT SHOWN)
- 5- DIMENSIONS ARE INCH [MM]
- 6- OPTIONAL ACCESSORIES NOT INCLUDED:
INTERNAL MOUNTING PLATES 16 GA. STEEL OR ABS
EXTERNAL MOUNTING BRACKETS NBX-10922
(STAINLESS STEEL) OR PIX-4117 (GRAY POLY-
CARBONATE RESIN 10% GLASS FIBER FILLED)



INSIDE VIEW OF BODY
COVER NOT SHOWN



PART NO.		DIMENSIONS							LATCH QTY.
		A	B	C	D	E	F	G	
PTH-22706-L	PTH-22706-LC	9.84 [250]	5.91 [150]	5.12 [130]	3.15 [80]	---	---	8.27 [210]	2
PTH-22730-L	PTH-22730-LC	15.75 [400]	11.81 [300]	5.91 [150]	4.72 [120]	13.26 [337]	9.06 [230]	13.25 [336]	2
PTH-22746-L	PTH-22746-LC	14.96 [380]	7.48 [190]	5.04 [128]	3.86 [98]	4.72 [120]	12.20 [310]	---	2
PTH-22758-L	PTH-22758-LC	22.05 [560]	11.02 [280]	5.12 [130]	3.94 [100]	19.76 [502]	8.27 [210]	---	2
PTH-22760-L	PTH-22760-LC	16.93 [430]	13.00 [330]	7.09 [180]	5.91 [150]	14.17 [360]	10.22 [260]	14.75 [375]	2
PTH-22762-L	PTH-22762-LC	22.05 [560]	14.96 [380]	7.09 [180]	5.83 [148]	12.20 [310]	19.29 [490]	---	2
PTH-22780-L	PTH-22780-LC	9.84 [250]	3.15 [80]	3.35 [85]	1.97 [50]	7.87 [200]	1.59 [40]	8.65 [220]	1