



Chipsmall Limited consists of a professional team with an average of over 10 year of expertise in the distribution of electronic components. Based in Hongkong, we have already established firm and mutual-benefit business relationships with customers from,Europe,America and south Asia,supplying obsolete and hard-to-find components to meet their specific needs.

With the principle of "Quality Parts,Customers Priority,Honest Operation,and Considerate Service",our business mainly focus on the distribution of electronic components. Line cards we deal with include Microchip,ALPS,ROHM,Xilinx,Pulse,ON,Everlight and Freescale. Main products comprise IC,Modules,Potentiometer,IC Socket,Relay,Connector.Our parts cover such applications as commercial,industrial, and automotives areas.

We are looking forward to setting up business relationship with you and hope to provide you with the best service and solution. Let us make a better world for our industry!



Contact us

Tel: +86-755-8981 8866 Fax: +86-755-8427 6832

Email & Skype: info@chipsmall.com Web: www.chipsmall.com

Address: A1208, Overseas Decoration Building, #122 Zhenhua RD., Futian, Shenzhen, China





PART NAME

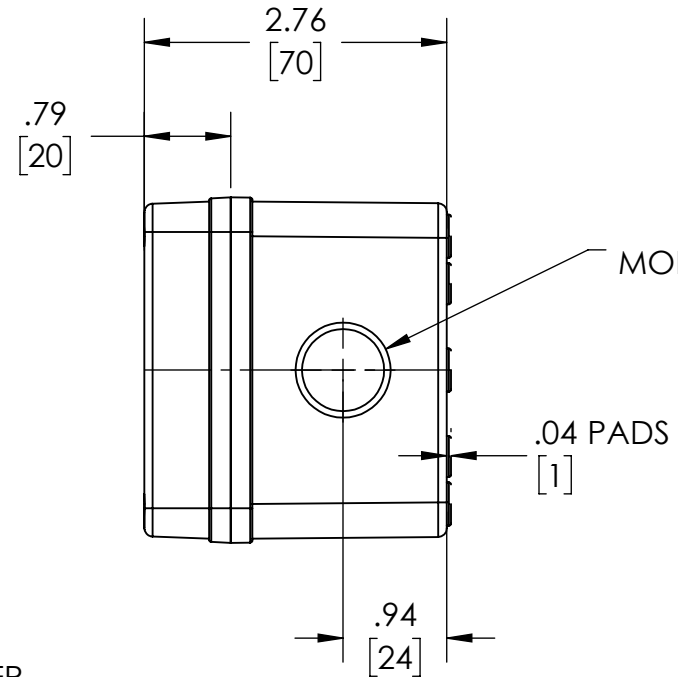
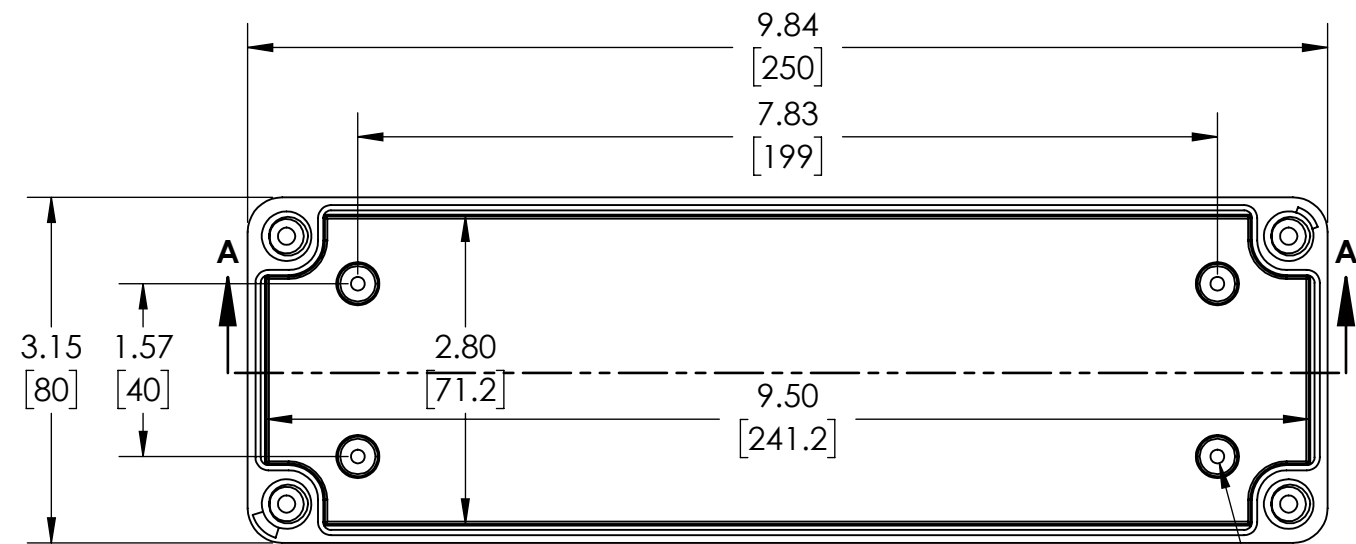
NEM 4X PLASTIC BOX (PTK SERIES)

PART No.

PTK-18426 & PTK-18426-C

REVISION DATE

10-19-17

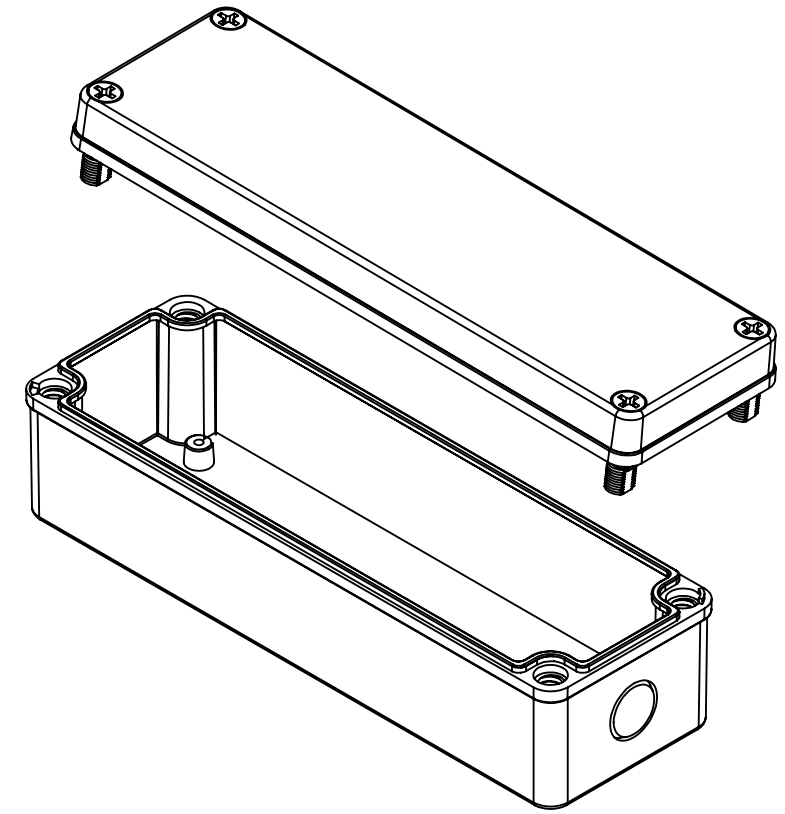


DRAWING FOR REFERENCE
 WE RESERVE THE RIGHT TO MAKE CHANGES TO OUR STANDARD PRODUCTS. PLEASE CONSULT WITH BUD INDUSTRIES PRIOR TO USING THIS DRAWING FOR DESIGN PURPOSE.

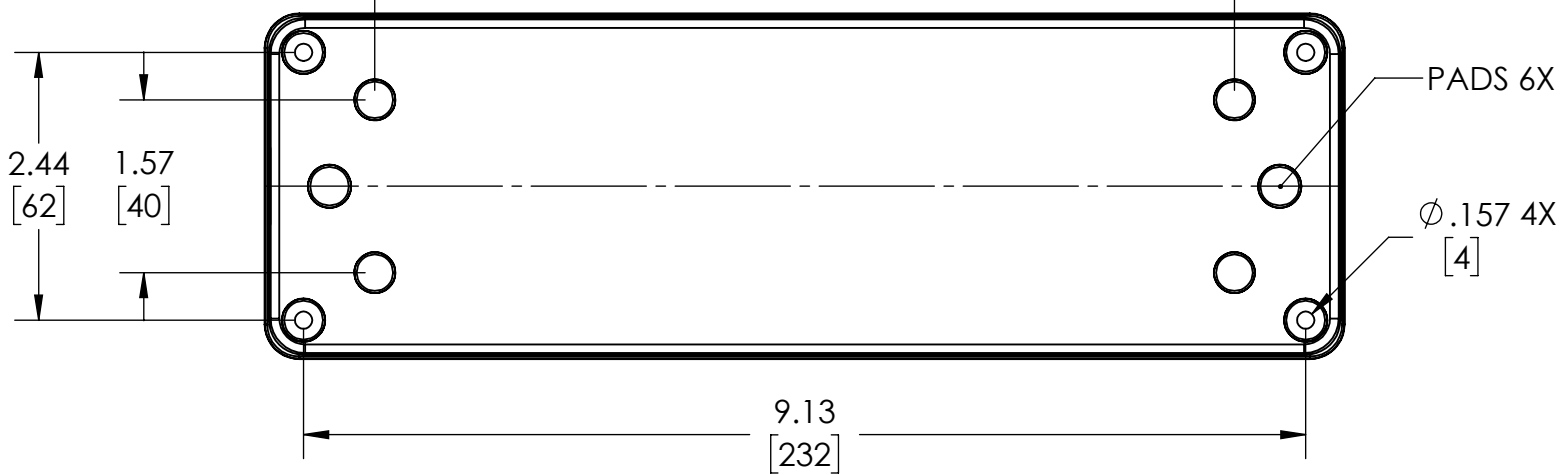
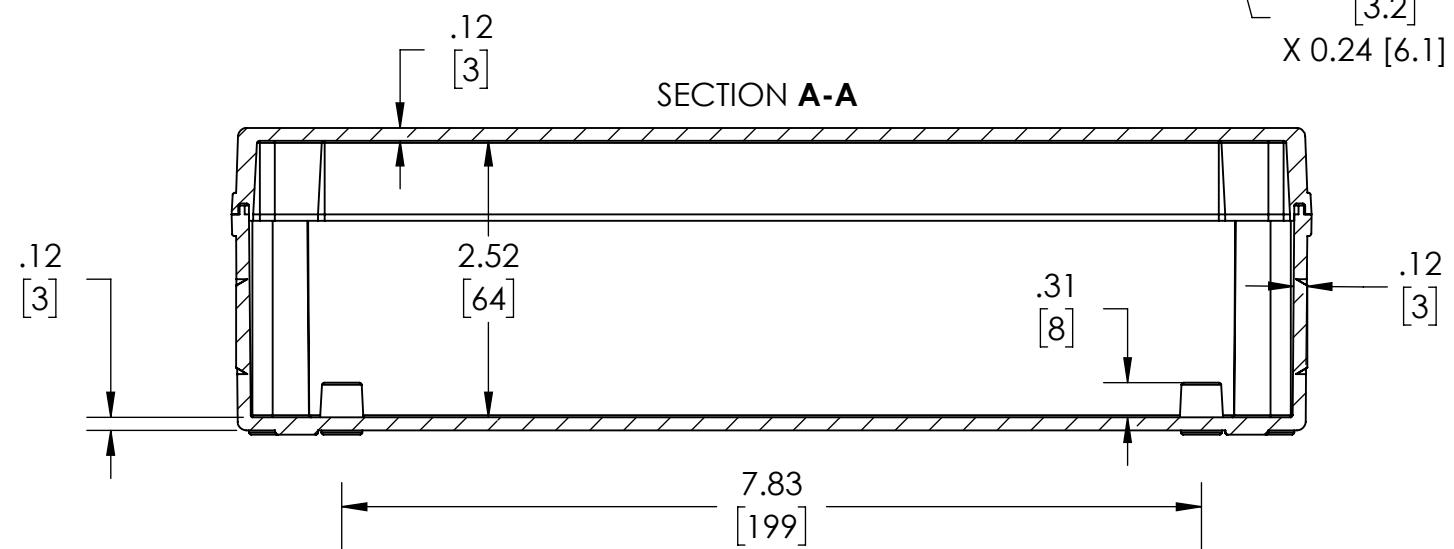
Ø .866 2X [22]
 MOLDED KNOCKOUT BOTH ENDS

.04 PADS [1]

Ø .126 4X [3.2]
 X 0.24 [6.1] DEEP



SECTION A-A



- NOTES:
 1- MATERIAL: BODY - GRAY POLYCARBONATE RESIN 10% GLASS FIBER FILLED
 COVER - GRAY OR CLEAR (-C SUFFIX) POLYCARBONATE
 2- UL508 / NEMA TYPE 4X & TYPE 6 WITH IP-67 TUV RATING & UL-94 5VA
 3- CONTINUOUS Poured FOAM GASKET IN COVER
 4- COVER ATTACHES WITH NON-METALLIC CAPTIVE SCREWS
 5- INTERNAL BOSSES WILL ACCEPT M4x0.7 x 6mm LG. THREAD FORMING SCREWS FOR ATTACHING AN INTERNAL PANEL OR PCB (NOT SUPPLIED)
 6 - DIMENSIONS ARE INCH [MM]

OPTIONAL ACCESSORIES:
 INTERNAL STEEL PANEL #
 MOUNTING BRACKET KIT (STAINLESS STEEL) - #NBX-10922
 MOUNTING BRACKET KIT (PLASTIC) #PIX-4117