



Chipsmall Limited consists of a professional team with an average of over 10 year of expertise in the distribution of electronic components. Based in Hongkong, we have already established firm and mutual-benefit business relationships with customers from,Europe,America and south Asia,supplying obsolete and hard-to-find components to meet their specific needs.

With the principle of “Quality Parts,Customers Priority,Honest Operation,and Considerate Service”,our business mainly focus on the distribution of electronic components. Line cards we deal with include Microchip,ALPS,ROHM,Xilinx,Pulse,ON,Everlight and Freescale. Main products comprise IC,Modules,Potentiometer,IC Socket,Relay,Connector.Our parts cover such applications as commercial,industrial, and automotives areas.

We are looking forward to setting up business relationship with you and hope to provide you with the best service and solution. Let us make a better world for our industry!



Contact us

Tel: +86-755-8981 8866 Fax: +86-755-8427 6832

Email & Skype: info@chipsmall.com Web: www.chipsmall.com

Address: A1208, Overseas Decoration Building, #122 Zhenhua RD., Futian, Shenzhen, China





PART NAME

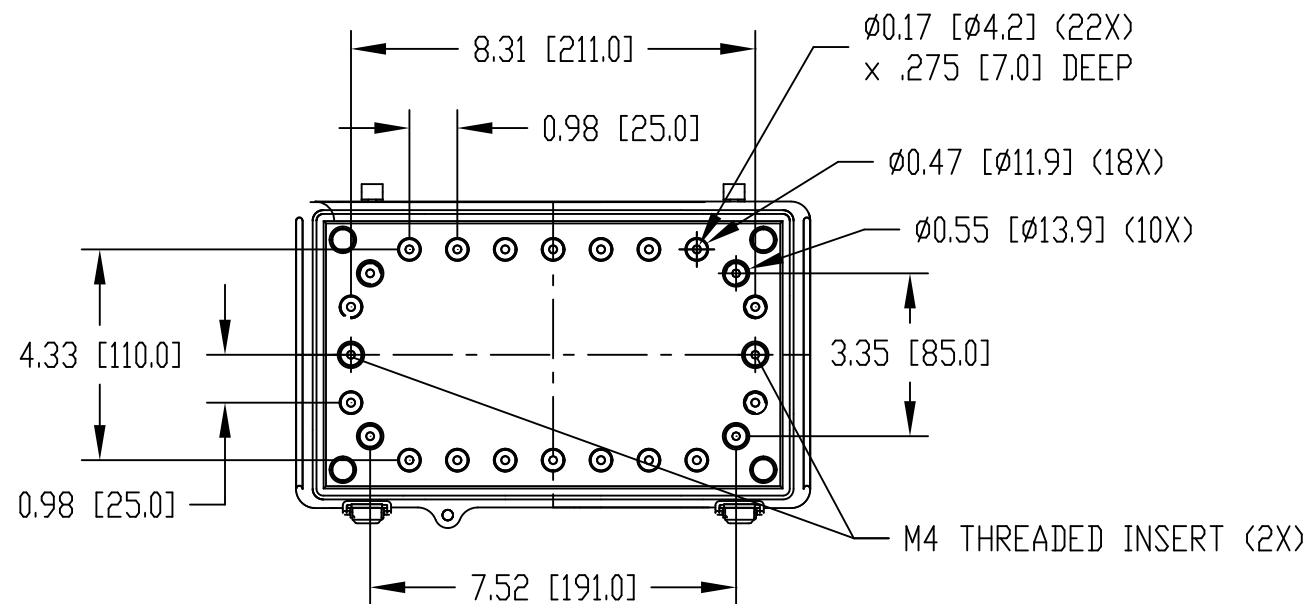
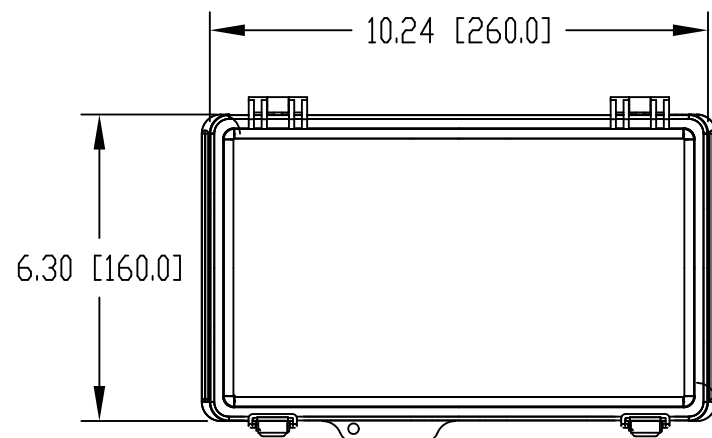
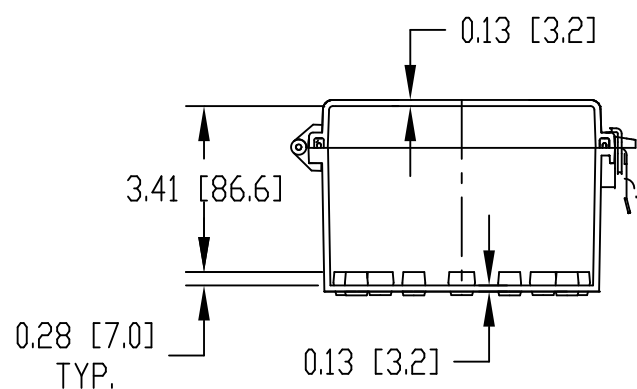
PTQ SERIES ENCLOSURE

PART No.

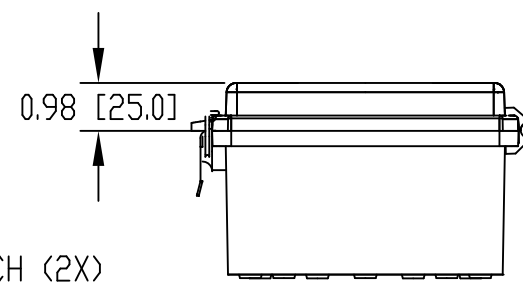
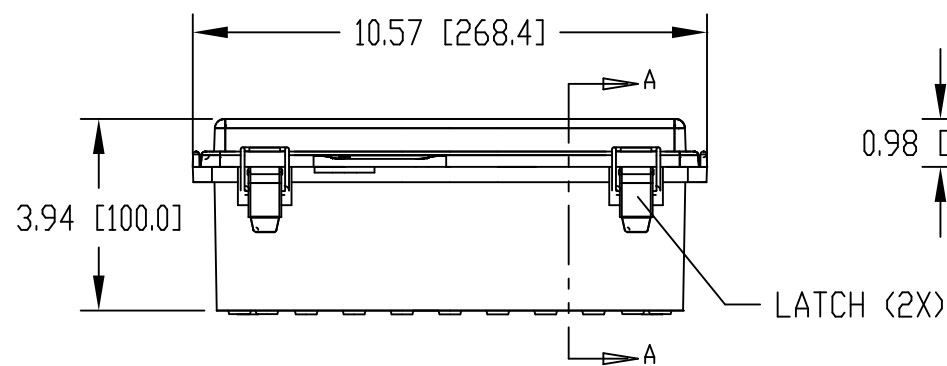
PTQ-11050 PTQ-11050-C

REV. DATE

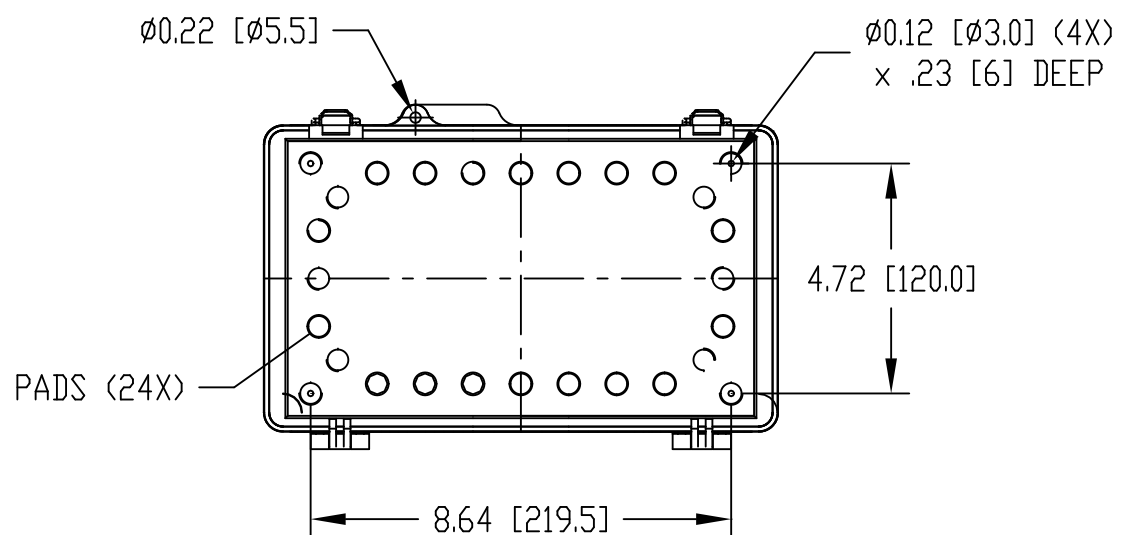
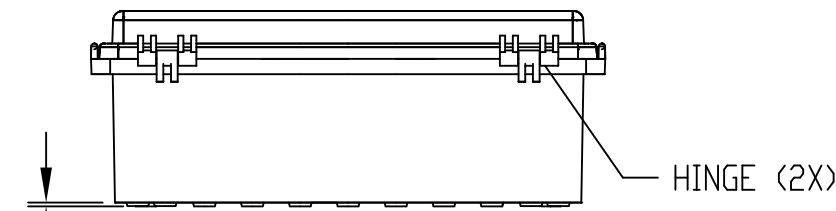
12-2-15

INSIDE VIEW OF BODY
WITH COVER REMOVED

SECTION A-A



0.08 [2.0] PADS



MATERIAL:

BODY - POLYCARBONATE RESIN 10% GLASS FIBER FILLED
COVER - POLYCARBONATE

COLOR:

BODY - LIGHT GRAY
COVER - LIGHT GRAY OR CLEAR (SUFFIX -C)

UL508 / NEMA TYPE 4X WITH IP-67 TUV RATING & UL-94V0 RATING
CONTINUOUS GASKET IN COVER
SUPPLIED WITH TWO M4 x 8mm LG. TRUSS HEAD MACHINE SCREWS
DIMENSIONS ARE INCH [MM]
DRAWING FOR REFERENCE

OPTIONAL ACCESSORIES:

INTERNAL STEEL PANEL - #PTX-11050
INTERNAL PLASTIC PANEL - #PTX-11050-P
MOUNTING BRACKET KIT (STAINLESS STEEL) - #NBX-10920
MOUNTING BRACKET KIT (PLASTIC) - #PIX-4117