



Chipsmall Limited consists of a professional team with an average of over 10 year of expertise in the distribution of electronic components. Based in Hongkong, we have already established firm and mutual-benefit business relationships with customers from,Europe,America and south Asia,supplying obsolete and hard-to-find components to meet their specific needs.

With the principle of "Quality Parts,Customers Priority,Honest Operation,and Considerate Service",our business mainly focus on the distribution of electronic components. Line cards we deal with include Microchip,ALPS,ROHM,Xilinx,Pulse,ON,Everlight and Freescale. Main products comprise IC,Modules,Potentiometer,IC Socket,Relay,Connector.Our parts cover such applications as commercial,industrial, and automotives areas.

We are looking forward to setting up business relationship with you and hope to provide you with the best service and solution. Let us make a better world for our industry!



## Contact us

Tel: +86-755-8981 8866 Fax: +86-755-8427 6832

Email & Skype: info@chipsmall.com Web: www.chipsmall.com

Address: A1208, Overseas Decoration Building, #122 Zhenhua RD., Futian, Shenzhen, China





PART NAME

PTQ SERIES ENCLOSURE

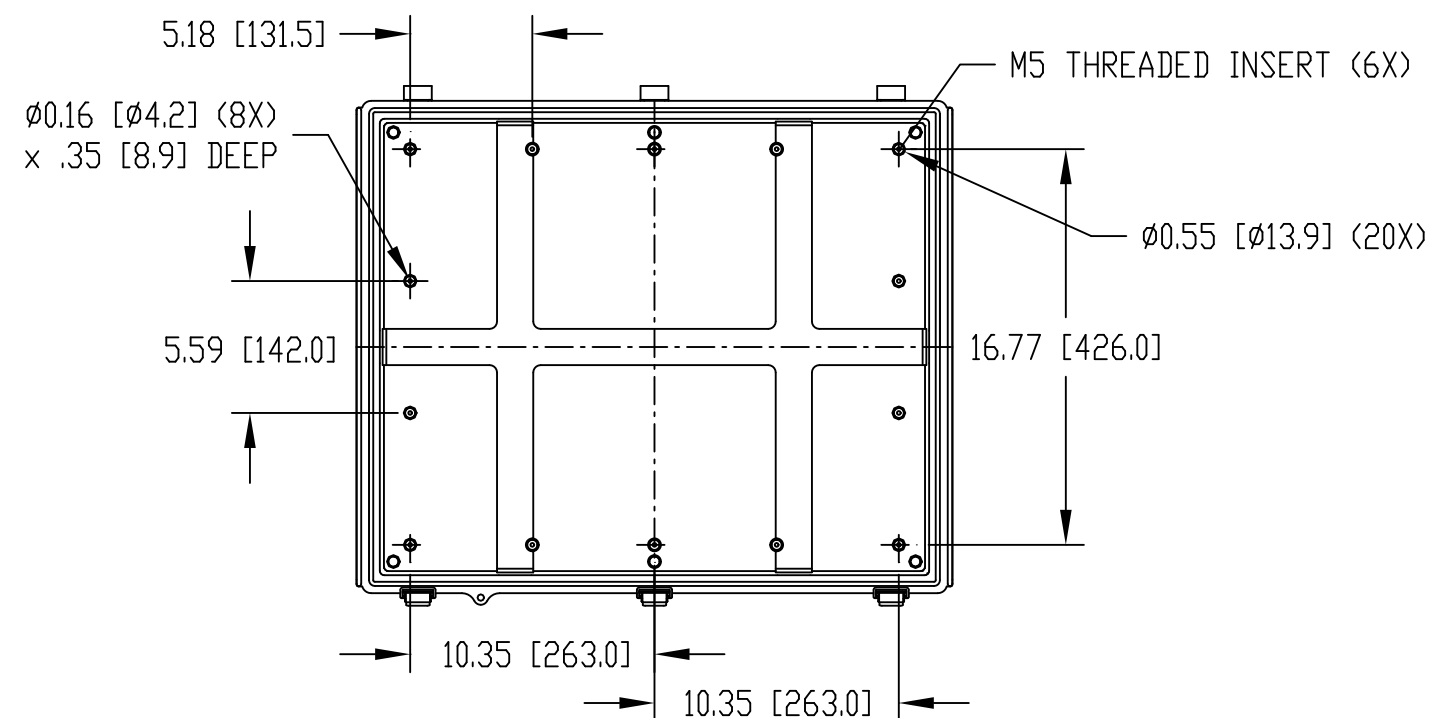
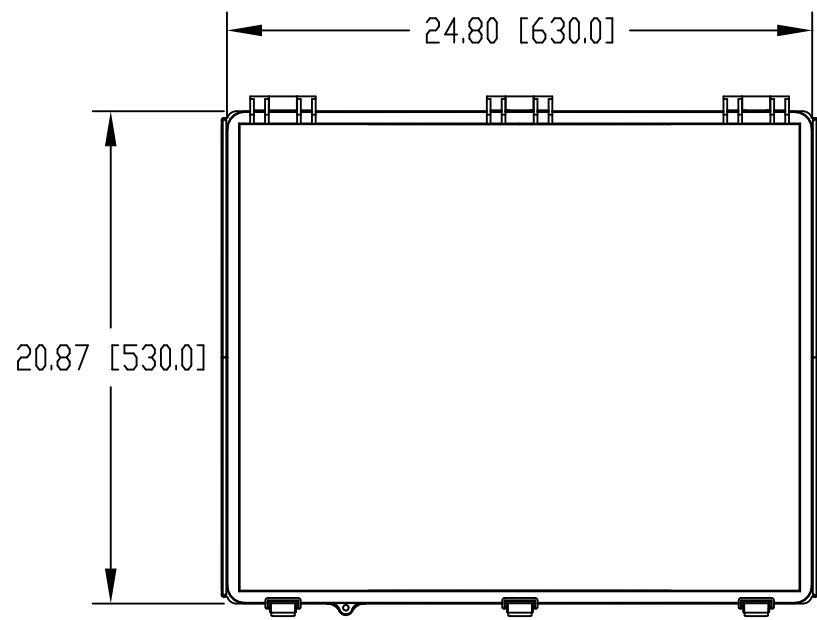
PART No.

PTQ-11080

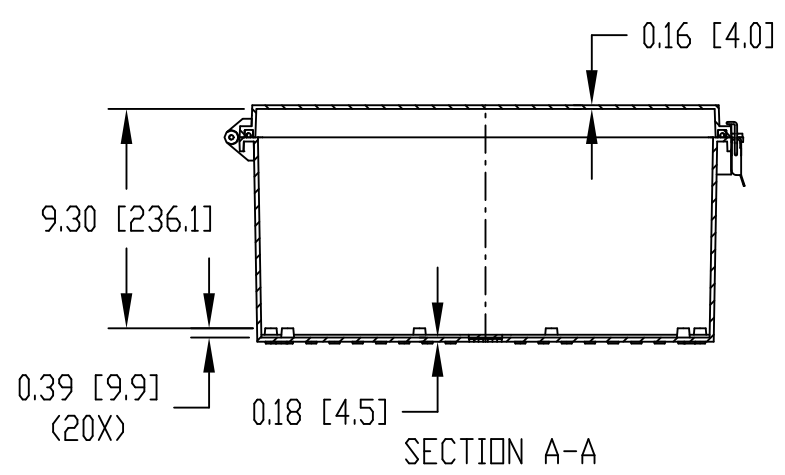
PTQ-11080-C

REV. DATE

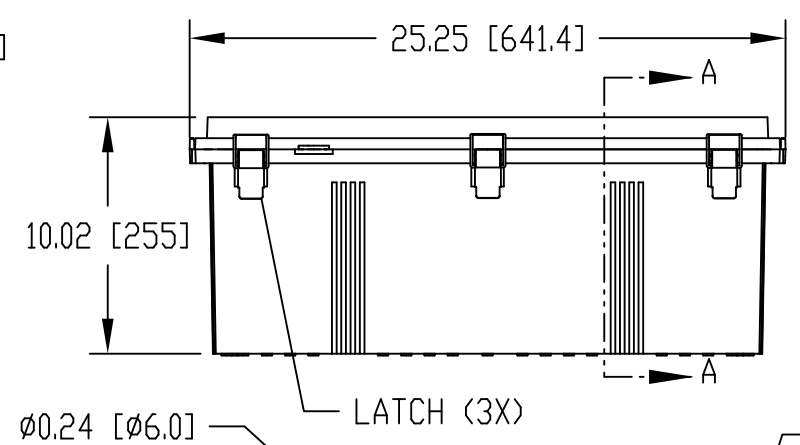
12-2-15



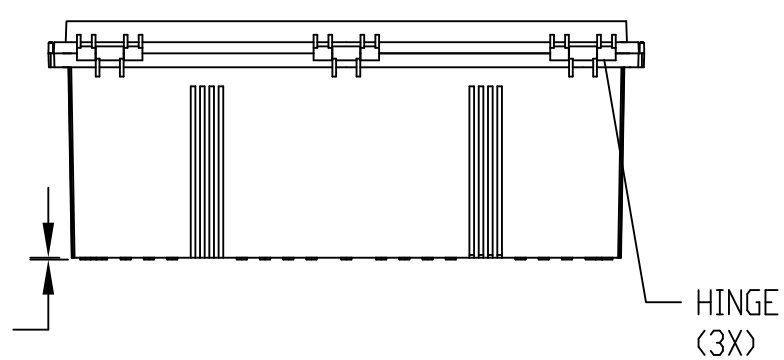
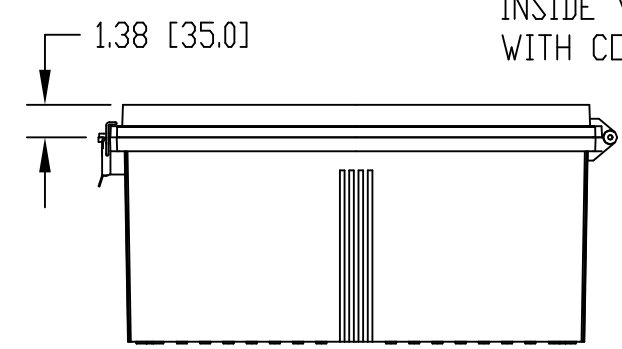
INSIDE VIEW OF BODY WITH COVER REMOVED



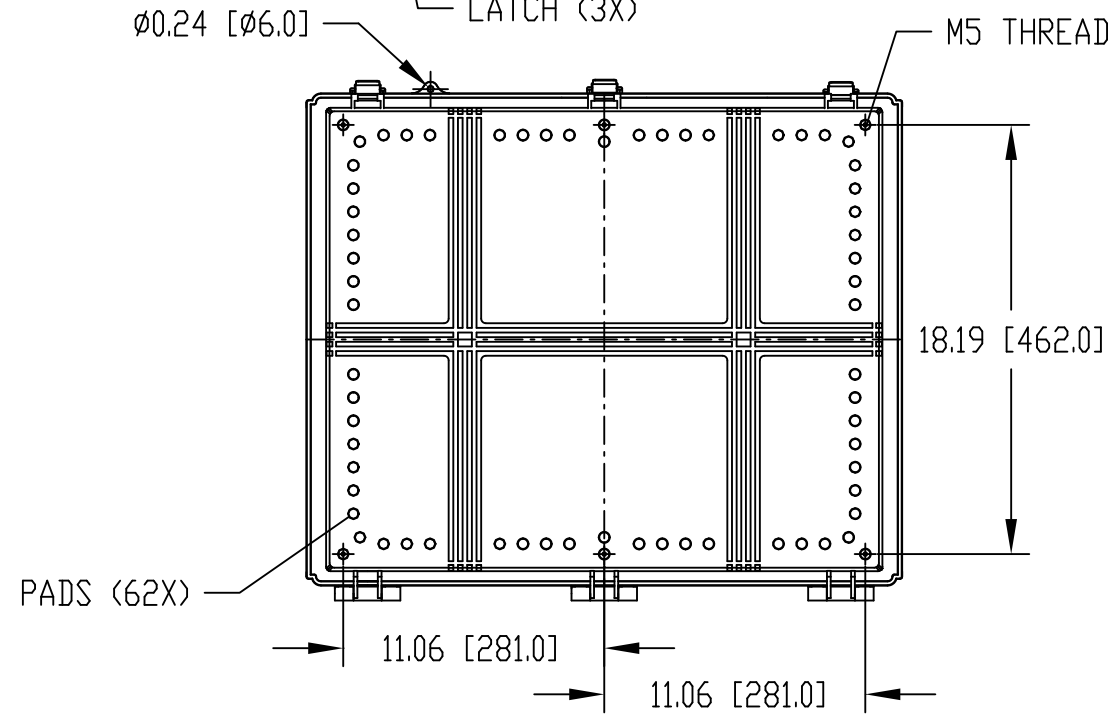
SECTION A-A



LATCH (3X)



HINGE (3X)



PADS (62X)

M5 THREADED INSERT (6X)

MATERIAL:  
 BODY - POLYCARBONATE RESIN 10% GLASS FIBER FILLED  
 COVER - POLYCARBONATE  
 COLOR:  
 BODY - LIGHT GRAY  
 COVER - LIGHT GRAY OR CLEAR (SUFFIX -C)  
 UL508 / NEMA TYPE 4X WITH IP-67 TUV RATING & UL-94V0 RATING  
 CONTINUOUS GASKET IN COVER  
 SUPPLIED WITH QTY. (12) M5 x 10mm LG. TRUSS HEAD MACHINE SCREWS  
 AND QTY. (6) WALL MOUNTING BRACKETS  
 DIMENSIONS ARE INCH[MM]  
 DRAWING FOR REFERENCE  
 OPTIONAL ACCESSORIES:  
 INTERNAL STEEL PANEL - #PTX-11080  
 INTERNAL STEEL PANEL - #PTX-11080-P  
 MOUNTING BRACKET KIT (STAINLESS STEEL) - NBX-10922