



Chipsmall Limited consists of a professional team with an average of over 10 year of expertise in the distribution of electronic components. Based in Hongkong, we have already established firm and mutual-benefit business relationships with customers from,Europe,America and south Asia,supplying obsolete and hard-to-find components to meet their specific needs.

With the principle of “Quality Parts,Customers Priority,Honest Operation,and Considerate Service”,our business mainly focus on the distribution of electronic components. Line cards we deal with include Microchip,ALPS,ROHM,Xilinx,Pulse,ON,Everlight and Freescale. Main products comprise IC,Modules,Potentiometer,IC Socket,Relay,Connector.Our parts cover such applications as commercial,industrial, and automotives areas.

We are looking forward to setting up business relationship with you and hope to provide you with the best service and solution. Let us make a better world for our industry!



Contact us

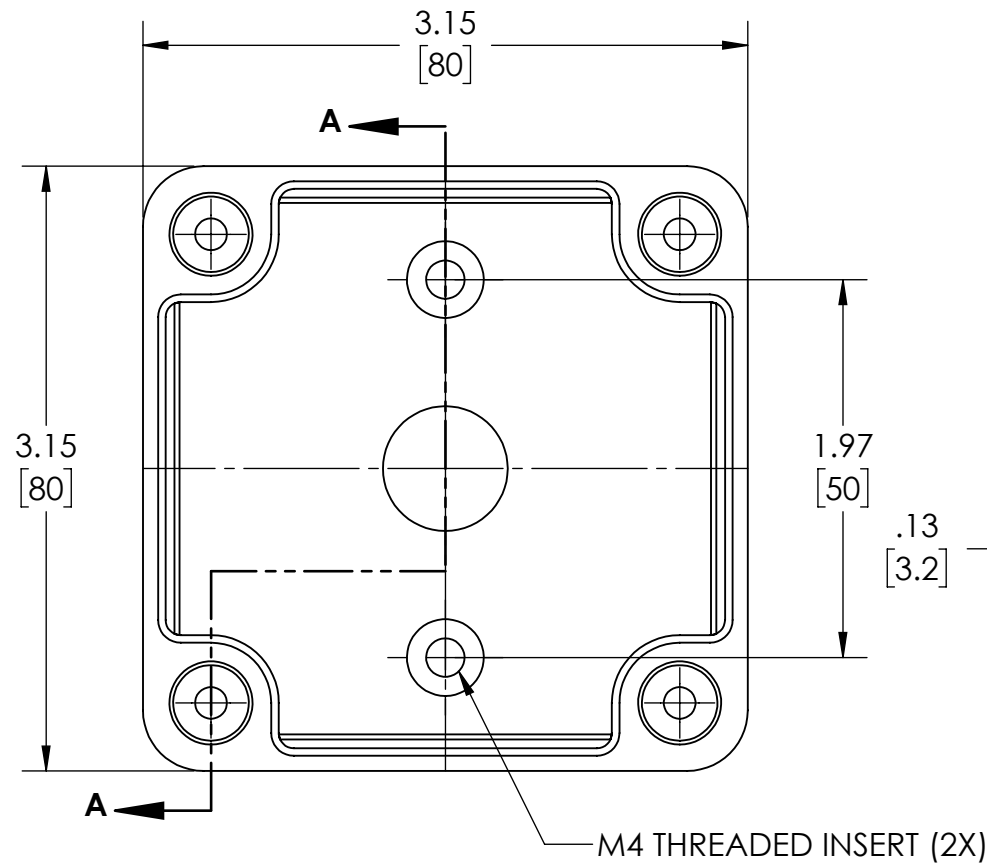
Tel: +86-755-8981 8866 Fax: +86-755-8427 6832

Email & Skype: info@chipsmall.com Web: www.chipsmall.com

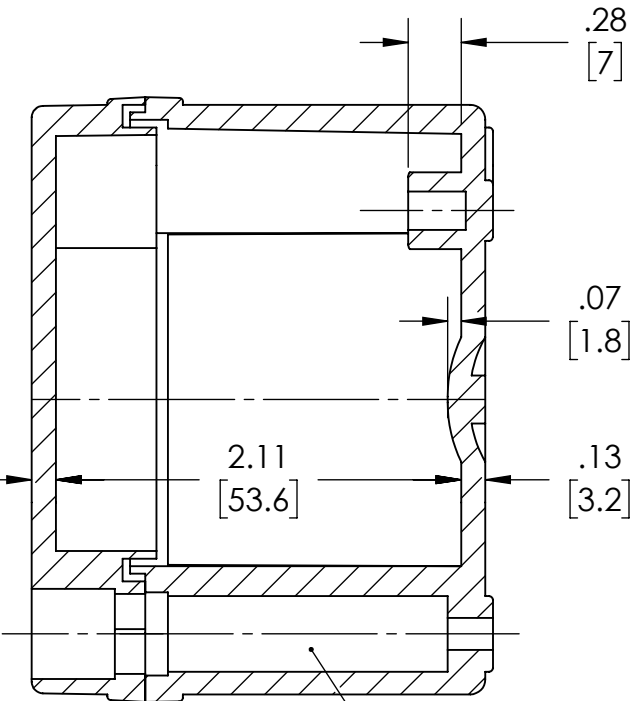
Address: A1208, Overseas Decoration Building, #122 Zhenhua RD., Futian, Shenzhen, China



DRAWING FOR REFERENCE
 WE RESERVE THE RIGHT TO MAKE CHANGES TO OUR
 STANDARD PRODUCTS. PLEASE CONSULT WITH BUD INDUSTRIES
 PRIOR TO USING THIS DRAWING FOR DESIGN PURPOSE.

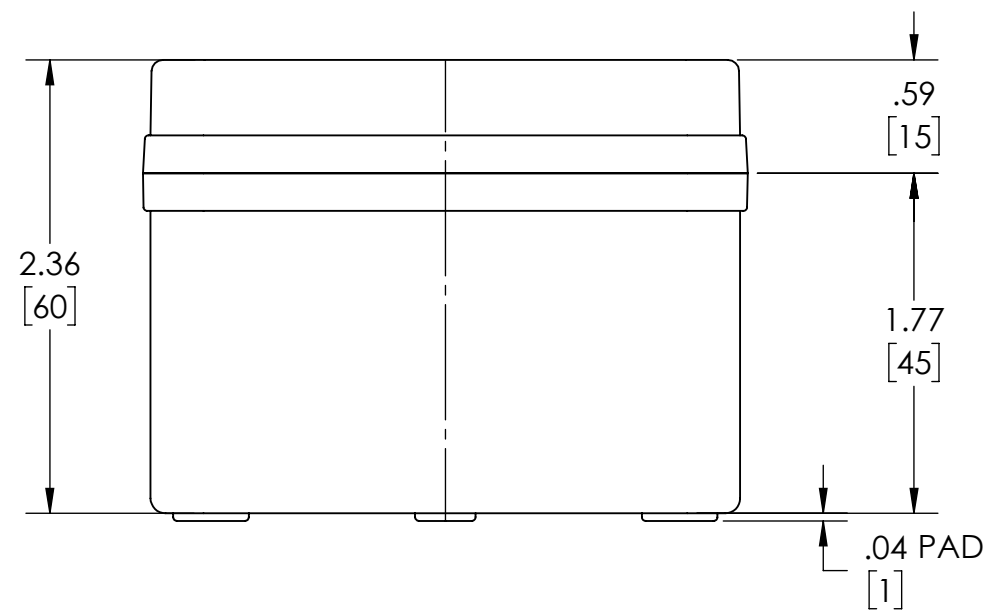
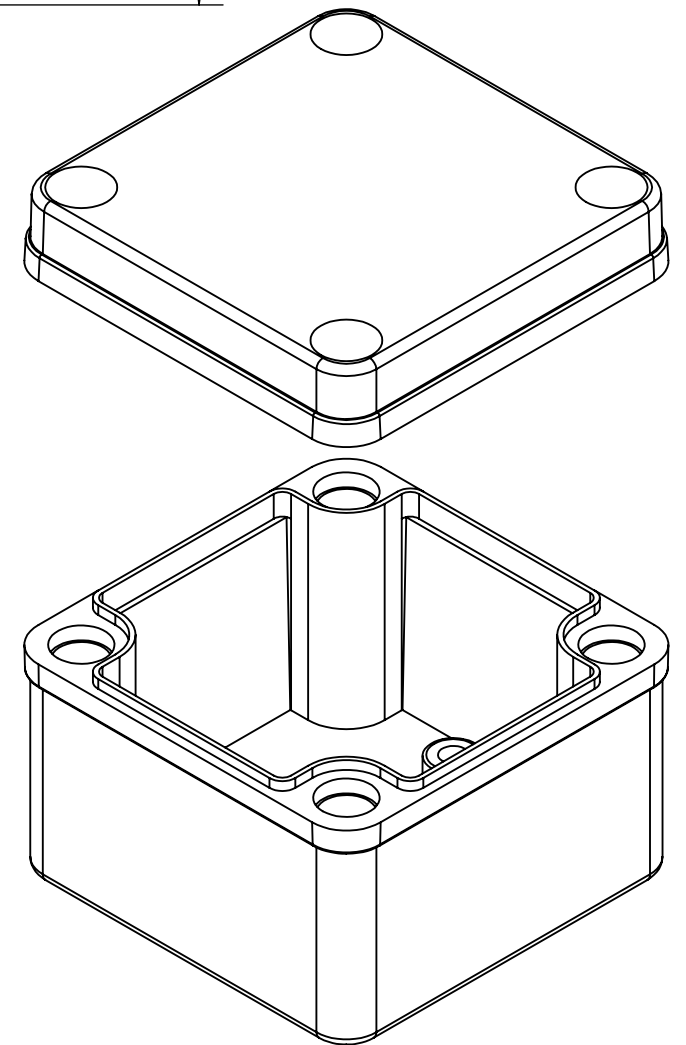
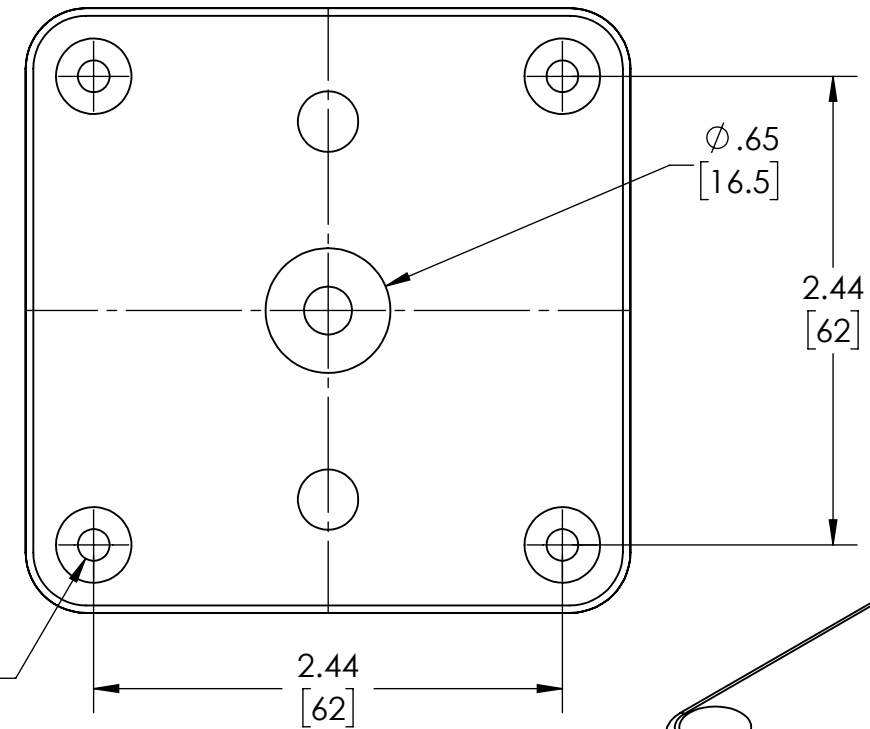


COVER NOT SHOWN



Ø.165 (4X) [4.20]

MATING THREAD FOR CAPTIVE SCREW



NOTES:

- 1- MATERIAL: BODY - GRAY POLYCARBONATE RESIN 10% GLASS FIBER FILLED
COVER - GRAY OR CLEAR (-C SUFFIX) POLYCARBONATE
- 2- UL508 / NEMA TYPE 4X WITH IP-67 TUV RATING & UL-94V0
- 3- CONTINUOUS Poured FOAM GASKET IN COVER
- 4- COVER ATTACHES WITH NON-METALLIC CAPTIVE SCREWS (ITEMS NOT SHOWN)
- 5- SUPPLIED WITH TWO M4 x 8mm LG. TRUSS HEAD ZINC PLATED STEEL SCREWS (ITEMS NOT SHOWN)
- 6- DIMENSIONS ARE INCH [MM]

OPTIONAL ACCESSORIES:

- INTERNAL STEEL PANEL #PTX-25302
- MOUNTING BRACKET KIT (STAINLESS STEEL) - #NBX-10922
- MOUNTING BRACKET KIT (PLASTIC) #PIX-4117