



Chipsmall Limited consists of a professional team with an average of over 10 year of expertise in the distribution of electronic components. Based in Hongkong, we have already established firm and mutual-benefit business relationships with customers from,Europe,America and south Asia,supplying obsolete and hard-to-find components to meet their specific needs.

With the principle of “Quality Parts,Customers Priority,Honest Operation,and Considerate Service”,our business mainly focus on the distribution of electronic components. Line cards we deal with include Microchip,ALPS,ROHM,Xilinx,Pulse,ON,Everlight and Freescale. Main products comprise IC,Modules,Potentiometer,IC Socket,Relay,Connector.Our parts cover such applications as commercial,industrial, and automotives areas.

We are looking forward to setting up business relationship with you and hope to provide you with the best service and solution. Let us make a better world for our industry!



## Contact us

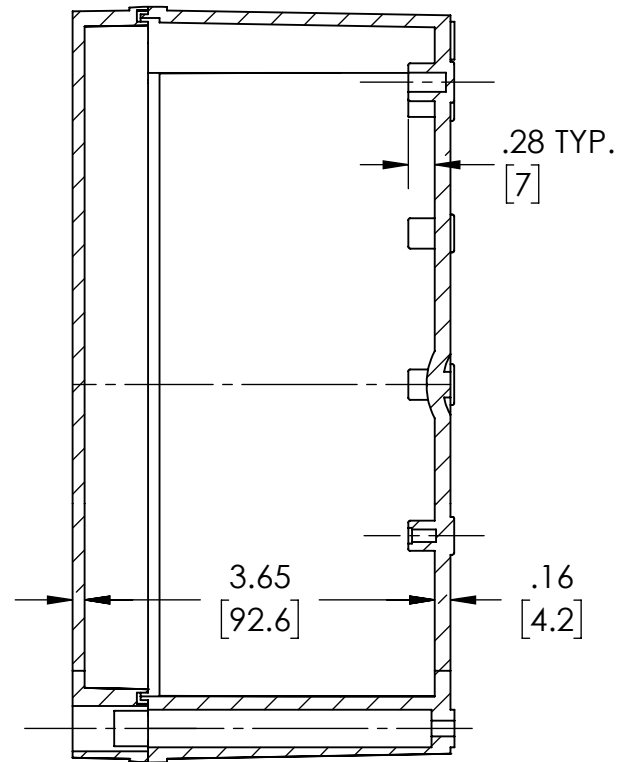
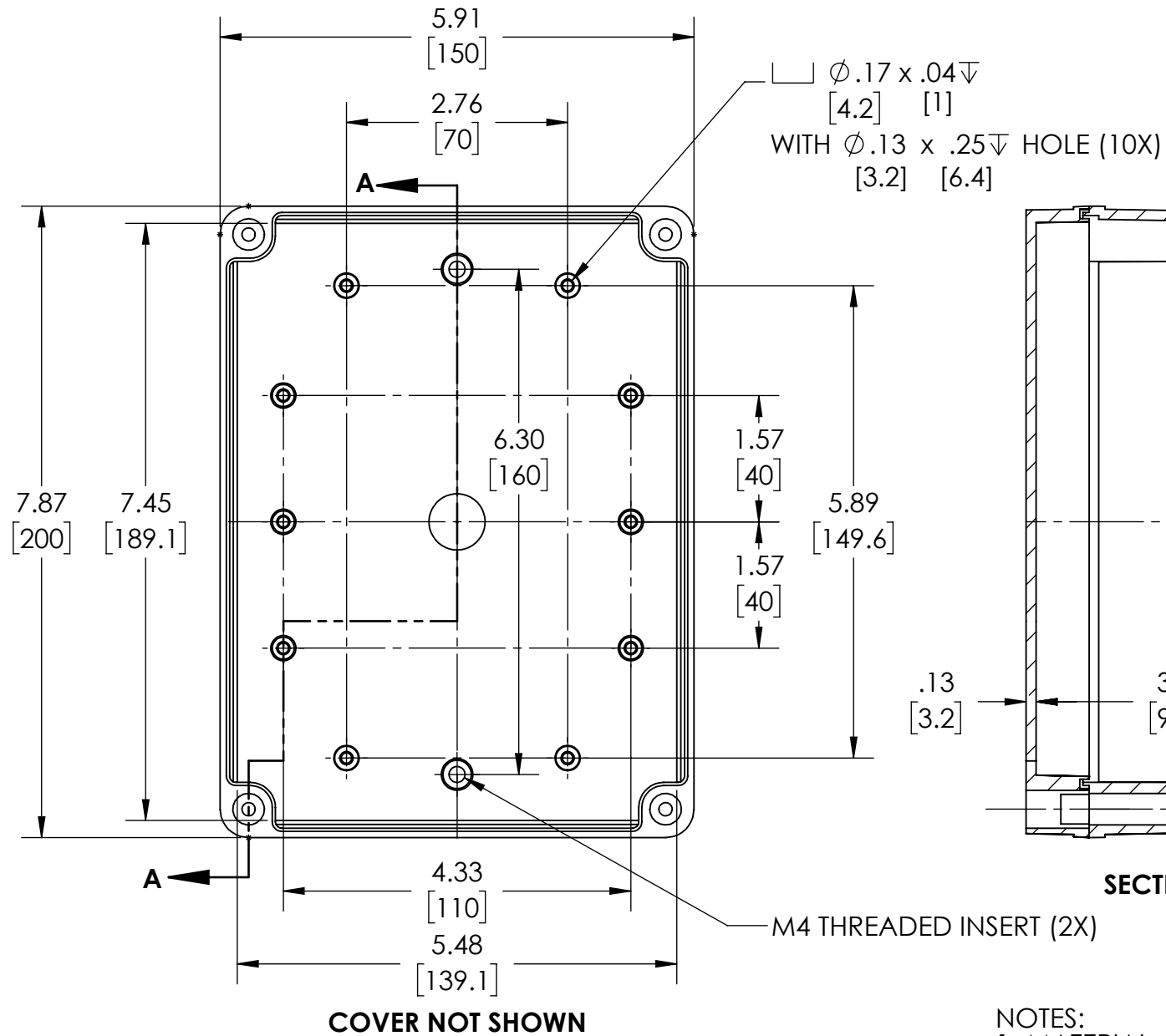
Tel: +86-755-8981 8866 Fax: +86-755-8427 6832

Email & Skype: info@chipsmall.com Web: www.chipsmall.com

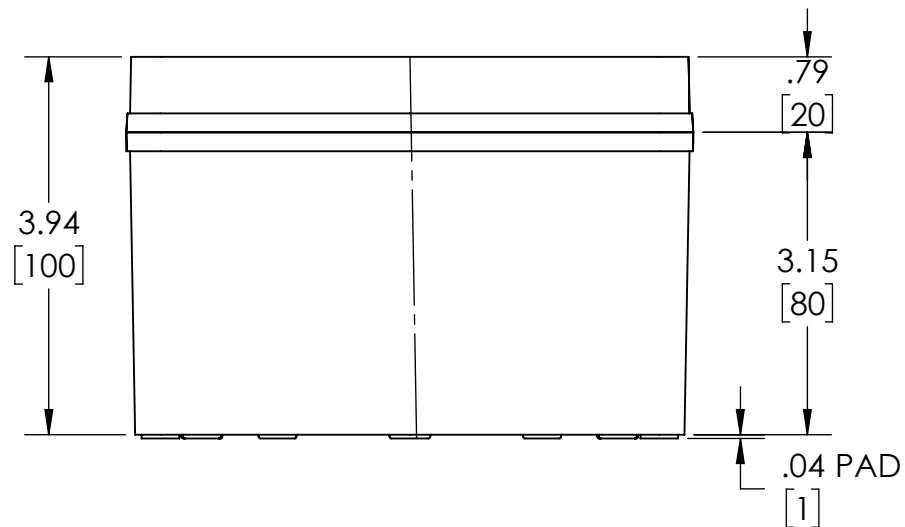
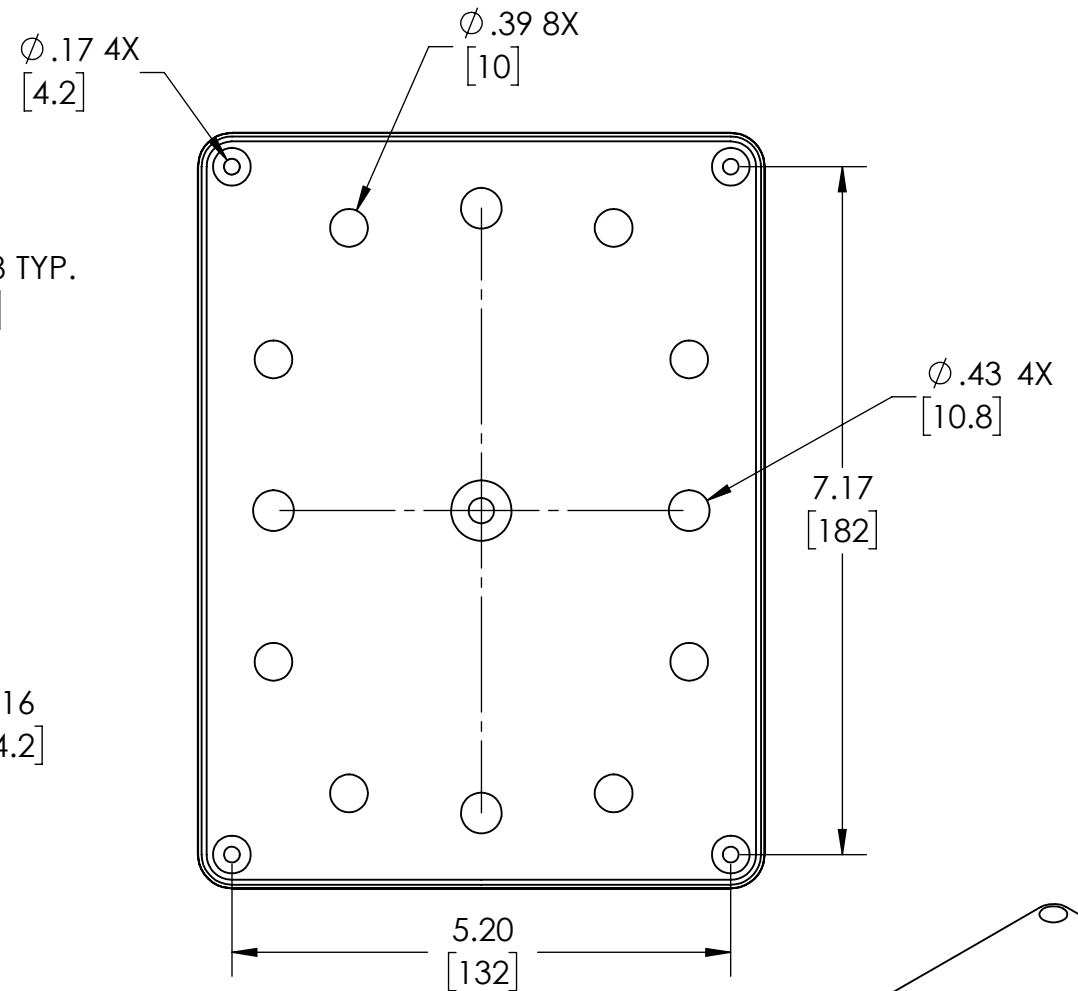
Address: A1208, Overseas Decoration Building, #122 Zhenhua RD., Futian, Shenzhen, China



**DRAWING FOR REFERENCE**  
 WE RESERVE THE RIGHT TO MAKE CHANGES TO OUR STANDARD PRODUCTS. PLEASE CONSULT WITH BUD INDUSTRIES PRIOR TO USING THIS DRAWING FOR DESIGN PURPOSE.



**SECTION A-A**



M4 THREADED INSERT (2X)

**NOTES:**

1- MATERIAL: BODY - POLYCARBONATE WITH 10% FIBERGLASS  
 COVER - POLYCARBONATE

2- COLOR: NO SUFFIX - GRAY BODY & GRAY COVER  
 (-C) SUFFIX - GRAY BODY & CLEAR COVER

3- COVER ATTACHES WITH NON-METALLIC CAPTIVE SCREWS  
 (ITEMS NOT SHOWN)

4- SUPPLIED WITH TWO M4 x 8mm LG. PAN HEAD SCREWS  
 (ITEMS NOT SHOWN)

5- DIMENSIONS ARE INCH [MM]

**OPTIONAL ACCESSORIES:**

- STEEL INTERNAL PANEL #PTX-25328
- PLASTIC INTERNAL PANEL #PTX-25328-P
- MOUNTING BRACKET KIT (STAINLESS STEEL) #NBX-10922
- MOUNTING BRACKET KIT (PLASTIC) #PIX-4117

