



Chipsmall Limited consists of a professional team with an average of over 10 year of expertise in the distribution of electronic components. Based in Hongkong, we have already established firm and mutual-benefit business relationships with customers from,Europe,America and south Asia,supplying obsolete and hard-to-find components to meet their specific needs.

With the principle of “Quality Parts,Customers Priority,Honest Operation,and Considerate Service”,our business mainly focus on the distribution of electronic components. Line cards we deal with include Microchip,ALPS,ROHM,Xilinx,Pulse,ON,Everlight and Freescale. Main products comprise IC,Modules,Potentiometer,IC Socket,Relay,Connector.Our parts cover such applications as commercial,industrial, and automotives areas.

We are looking forward to setting up business relationship with you and hope to provide you with the best service and solution. Let us make a better world for our industry!



## Contact us

Tel: +86-755-8981 8866 Fax: +86-755-8427 6832

Email & Skype: info@chipsmall.com Web: www.chipsmall.com

Address: A1208, Overseas Decoration Building, #122 Zhenhua RD., Futian, Shenzhen, China



\*RoHS COMPLIANT



**BOURNS®**

## Features

- High grade, long life
- Single and dual gang
- Assortment of resistance tapers
- Tracking error within  $\pm 3$  dB
- 45, 60 and 100 mm sizes
- Wide operating temperature range
- T-bar lever option



## PTS Series High Grade Slide Potentiometer

### Electrical Characteristics

Standard Resistance Range  
 ..... 1K ohms to 1 megohm  
 Standard Resistance Tolerance...  $\pm 20$  %  
 End Resistance ..... 1 ohm max.  
 Insulation Resistance @ 500 VDC  
 ..... 100 megohms min.  
 Dielectric Withstanding Voltage  
 ..... 1000 VAC  
 Tracking Error .....  $\pm 3$  dB  
 Standard Taper ..... Linear, Audio  
 Power Rating  
 Linear ..... 0.5 watt  
 Audio ..... 0.25 watt  
 Slider Noise ..... 60 mV max.

### Environmental Characteristics

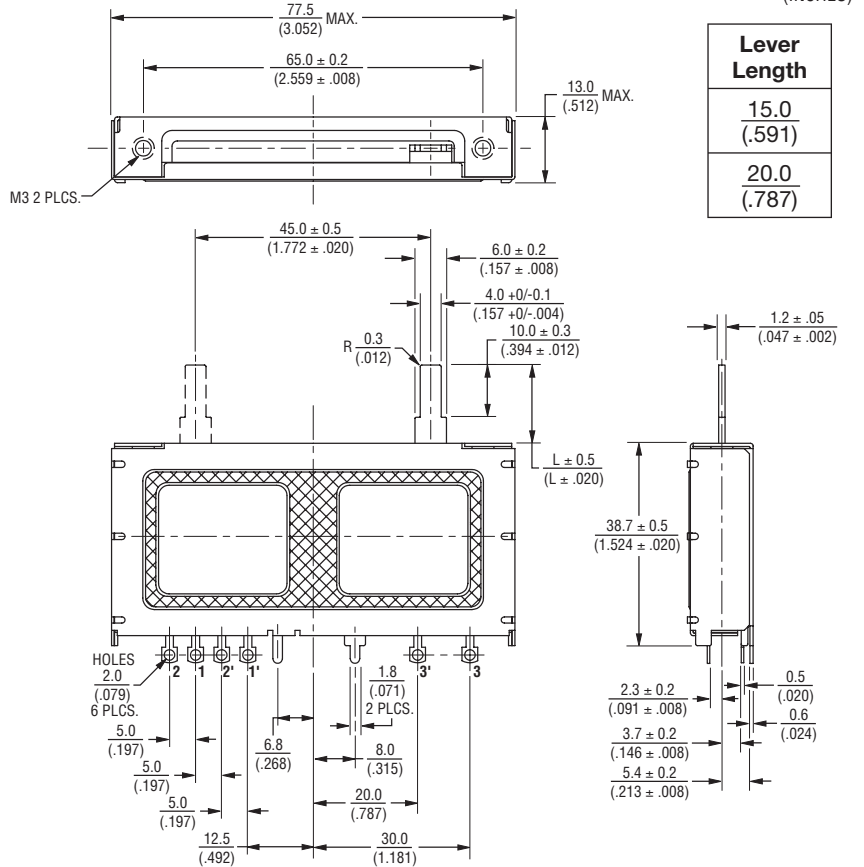
Operational Life ..... 100,000 cycles  
 TR Shift .....  $\pm 15$  %  
 Operating Temperature Range  
 .....  $-10$  °C to  $+55$  °C  
 Resistance to Solder Heat.....  $\pm 5$  %

### Mechanical Characteristics

Mechanical Travel..... Length  $\pm 0.5$  mm  
 Operating Force ..... 60 gf  
 Stop Strength ..... 5 kgf min.  
 Shaft Axial Force ..... 10 kgf min.  
 Shaft Wobble..  $2(2 \times L/25)$  mm p-p max.  
 Soldering Condition  
 Manual .....  $300$  °C  $\pm 5$  °C for 3 sec.  
 Wave .....  $260$  °C  $\pm 5$  °C for 5 sec.  
 Wash ..... Not recommended

### Product Dimensions

#### 45 mm Length of Travel Lever End Style "A"



### Standard Resistance Table

Resistance (Ohms)	Resistance Code
1,000	102
2,000	202
5,000	502
10,000	103
20,000	203
50,000	503
100,000	104
200,000	204
500,000	504
1,000,000	105

### How To Order

**PTS 45 - 0 2 L - 103 B2**

Model Number \_\_\_\_\_  
 Designator \_\_\_\_\_  
 PTS = High Grade Slide Potentiometer

Length of Travel \_\_\_\_\_  
 45 = 45 mm  
 60 = 60 mm  
 01 = 100 mm

Lever End Style/Length \_\_\_\_\_  
 0 = Lever End Style "A" / 15 mm  
 1 = Lever End Style "T" / 8.2 mm  
 2 = Lever End Style "A" / 20 mm

No. of Gangs \_\_\_\_\_  
 1 = Single Gang  
 2 = Dual Gang

Mounting Type \_\_\_\_\_  
 L = Solder Lugs  
 P = PC Pins

Resistance Code \_\_\_\_\_  
 (See Standard Resistance Table)

Resistance Taper (See Taper Charts) \_\_\_\_\_  
 Taper Series followed by Curve Number

\*RoHS Directive 2002/95/EC Jan 27 2003 including Annex  
 Specifications are subject to change without notice.  
 Customers should verify actual device performance in their specific applications.

## Applications

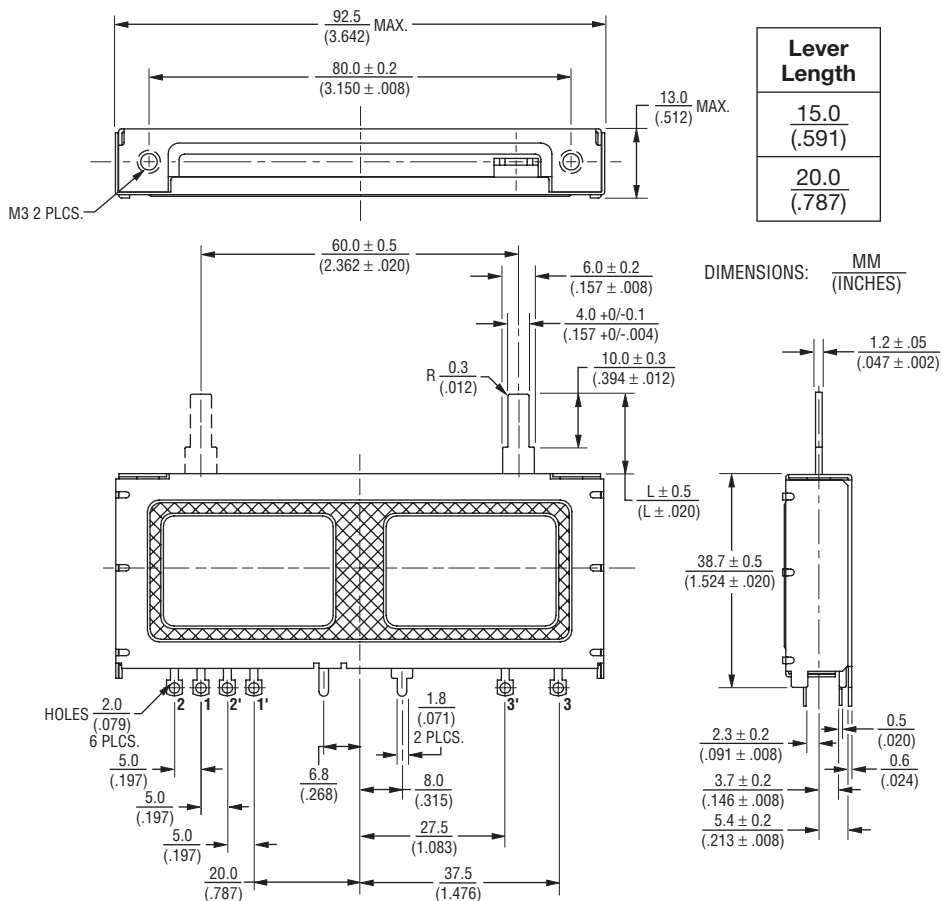
- Professional mixing consoles
- Professional outboard gear

# PTS Series High Grade Slide Potentiometer

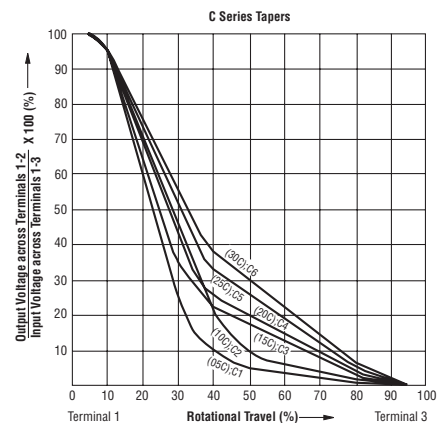
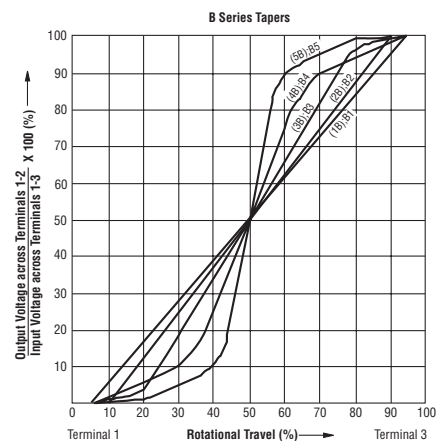
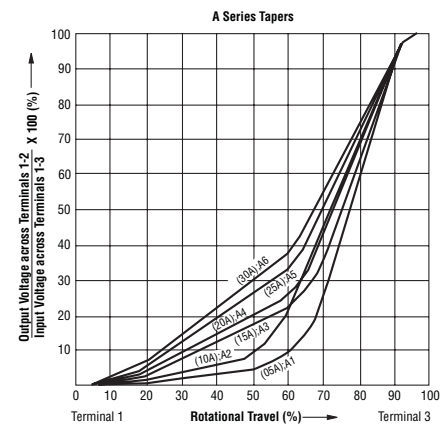
# BOURNS®

## Product Dimensions

60 mm Length of Travel  
Lever End Style "A"

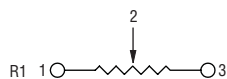


## Tapers

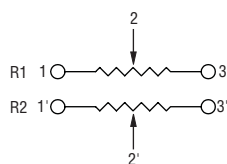


## Schematics

Single Gang



Dual Gang



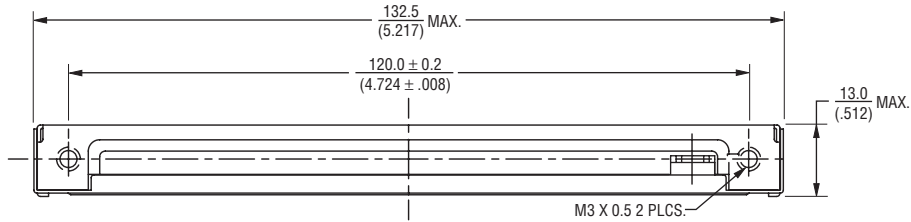
Specifications are subject to change without notice.  
Customers should verify actual device performance in their specific applications.

# PTS Series High Grade Slide Potentiometer

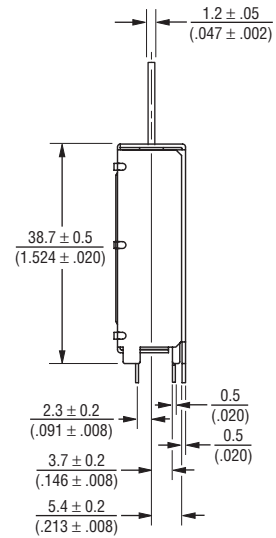
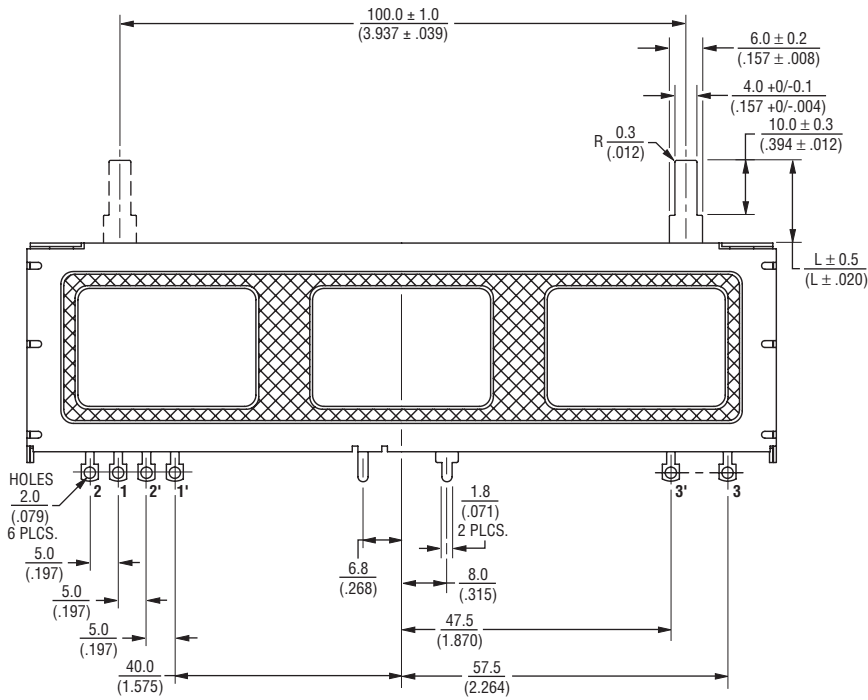
**BOURNS®**

## Product Dimensions

100 mm Length of Travel  
Lever End Style "A"



Lever Length
15.0 (.591)
20.0 (.787)



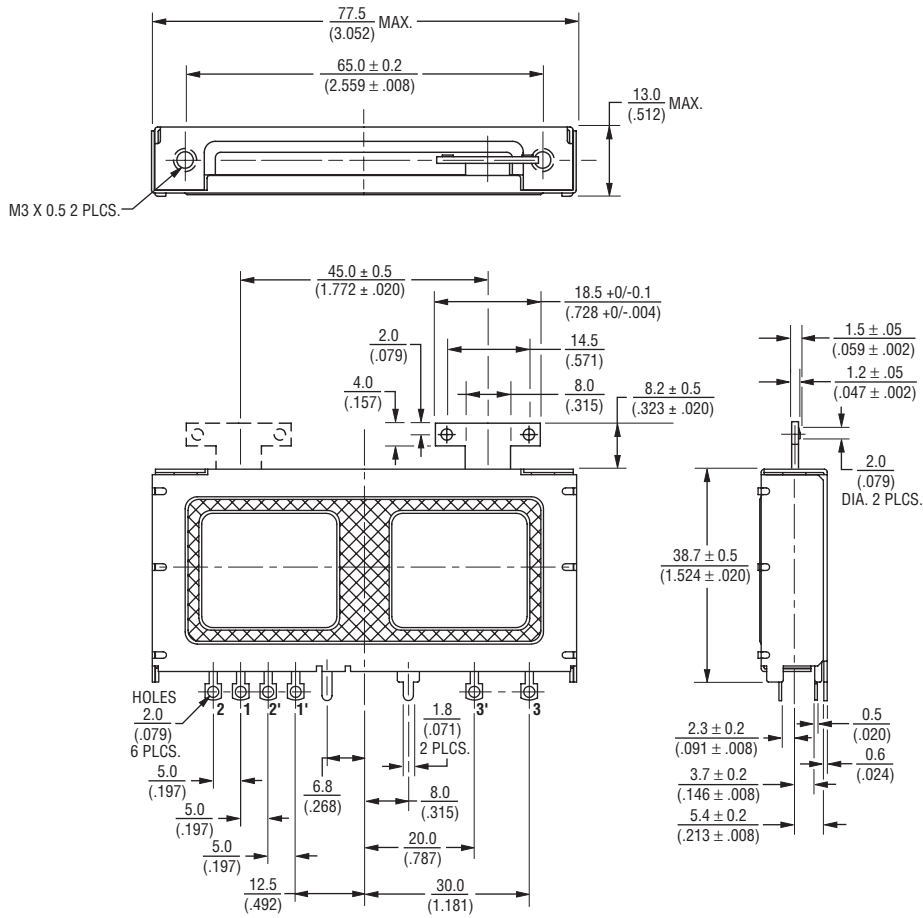
DIMENSIONS:  $\frac{\text{MM}}{\text{(INCHES)}}$

# PTS Series High Grade Slide Potentiometer

**BOURNS®**

## Product Dimensions

45 mm Length of Travel  
Lever End Style "T"



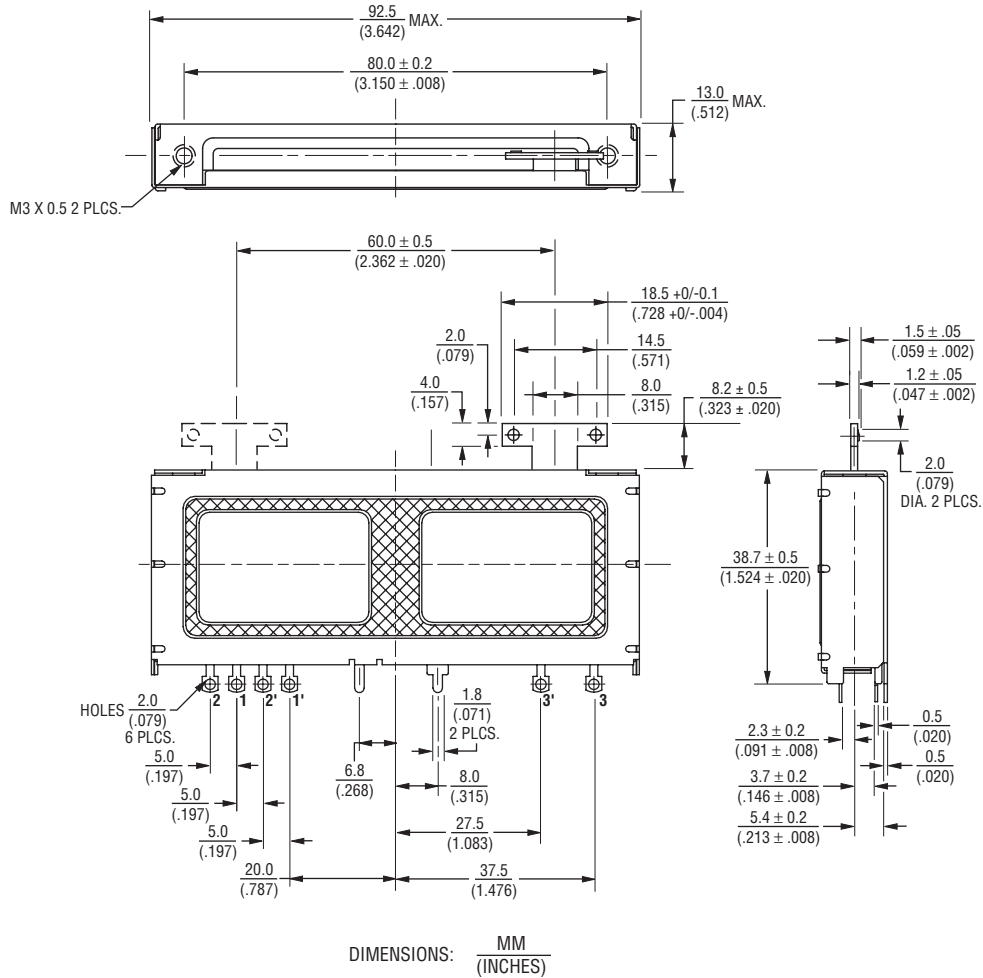
DIMENSIONS:  $\frac{\text{MM}}{\text{(INCHES)}}$

# PTS Series High Grade Slide Potentiometer

**BOURNS®**

## Product Dimensions

60 mm Length of Travel  
Lever End Style "T"



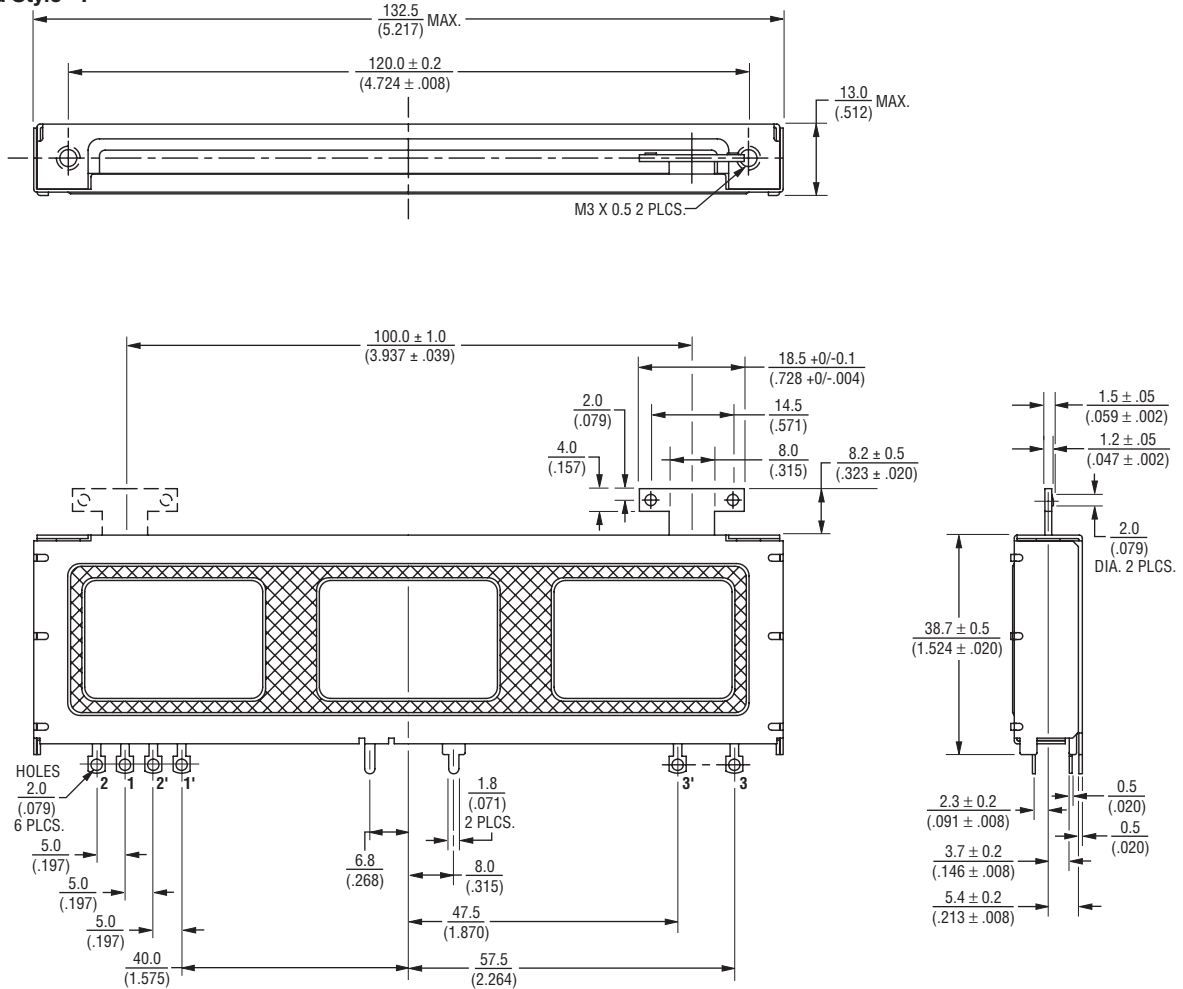
Specifications are subject to change without notice.  
Customers should verify actual device performance in their specific applications.

# PTS Series High Grade Slide Potentiometer

**BOURNS®**

## Product Dimensions

100 mm Length of Travel  
Lever End Style "T"



DIMENSIONS:  $\frac{\text{MM}}{\text{(INCHES)}}$