



Chipsmall Limited consists of a professional team with an average of over 10 year of expertise in the distribution of electronic components. Based in Hongkong, we have already established firm and mutual-benefit business relationships with customers from,Europe,America and south Asia,supplying obsolete and hard-to-find components to meet their specific needs.

With the principle of “Quality Parts,Customers Priority,Honest Operation,and Considerate Service”,our business mainly focus on the distribution of electronic components. Line cards we deal with include Microchip,ALPS,ROHM,Xilinx,Pulse,ON,Everlight and Freescale. Main products comprise IC,Modules,Potentiometer,IC Socket,Relay,Connector.Our parts cover such applications as commercial,industrial, and automotives areas.

We are looking forward to setting up business relationship with you and hope to provide you with the best service and solution. Let us make a better world for our industry!



## Contact us

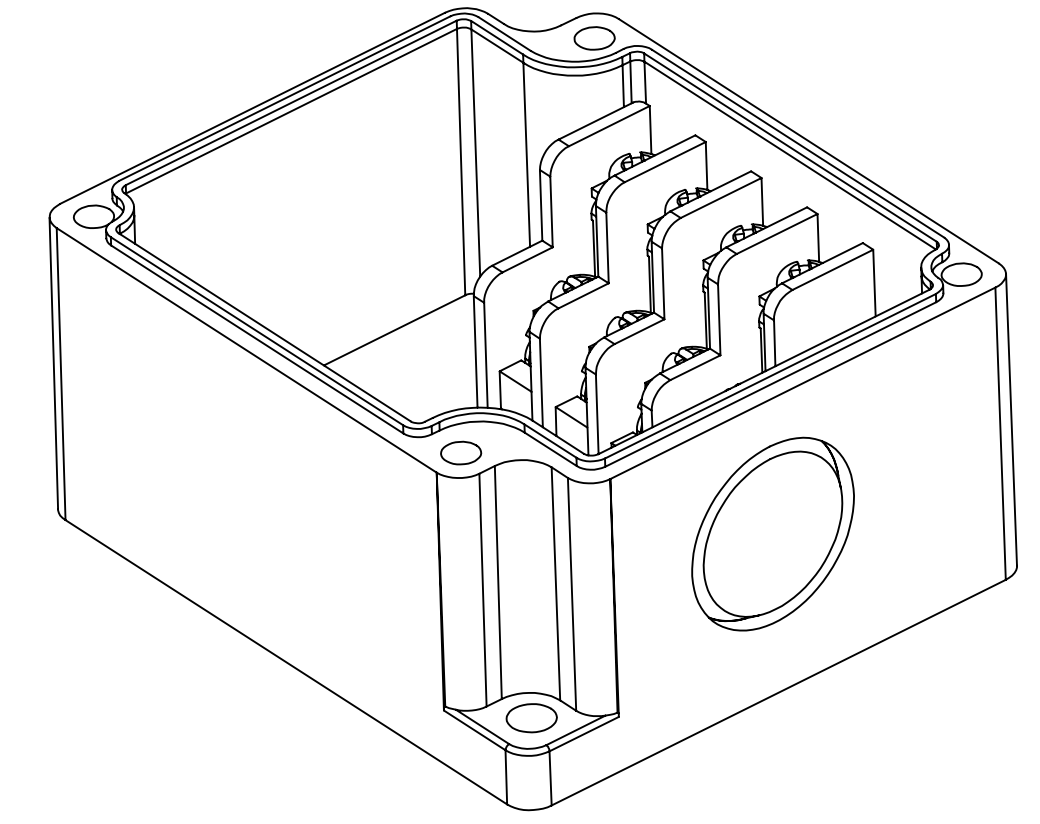
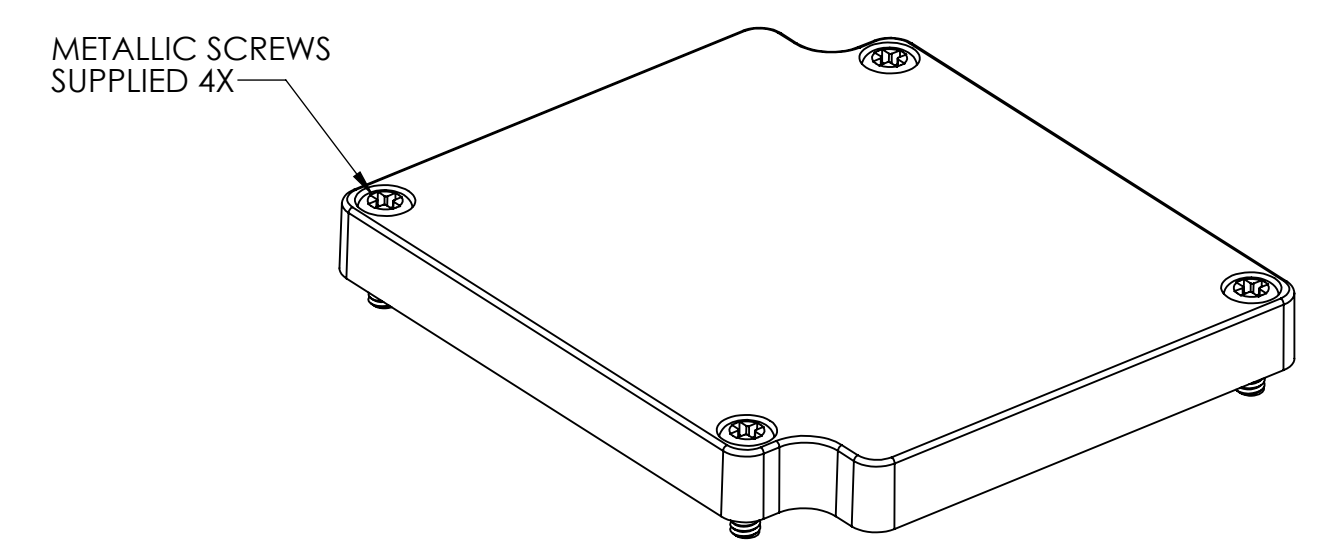
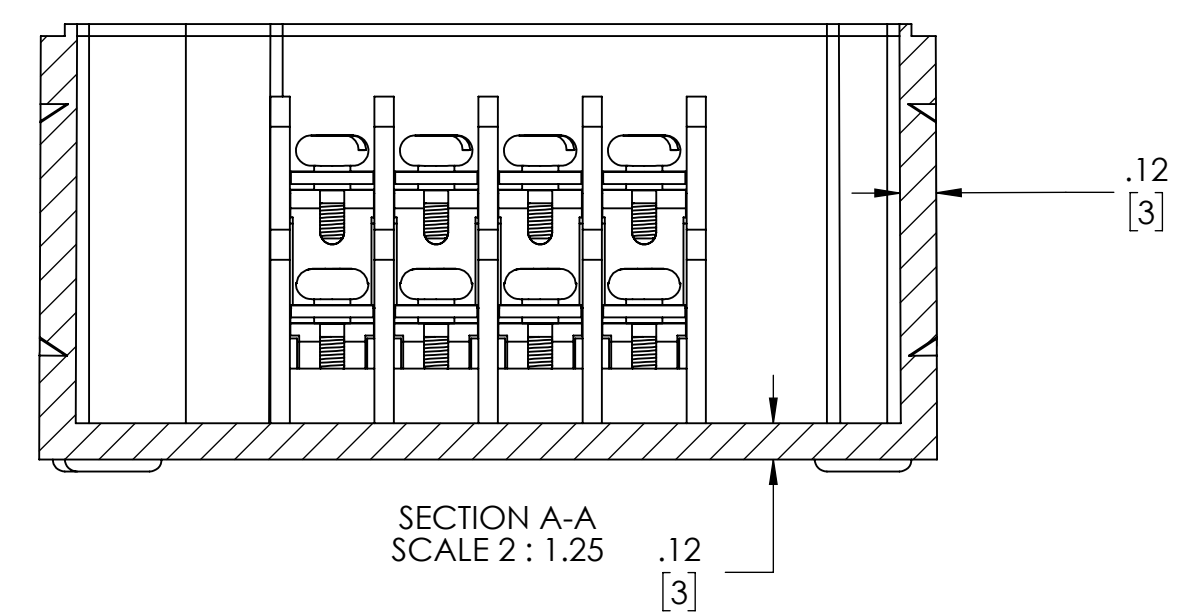
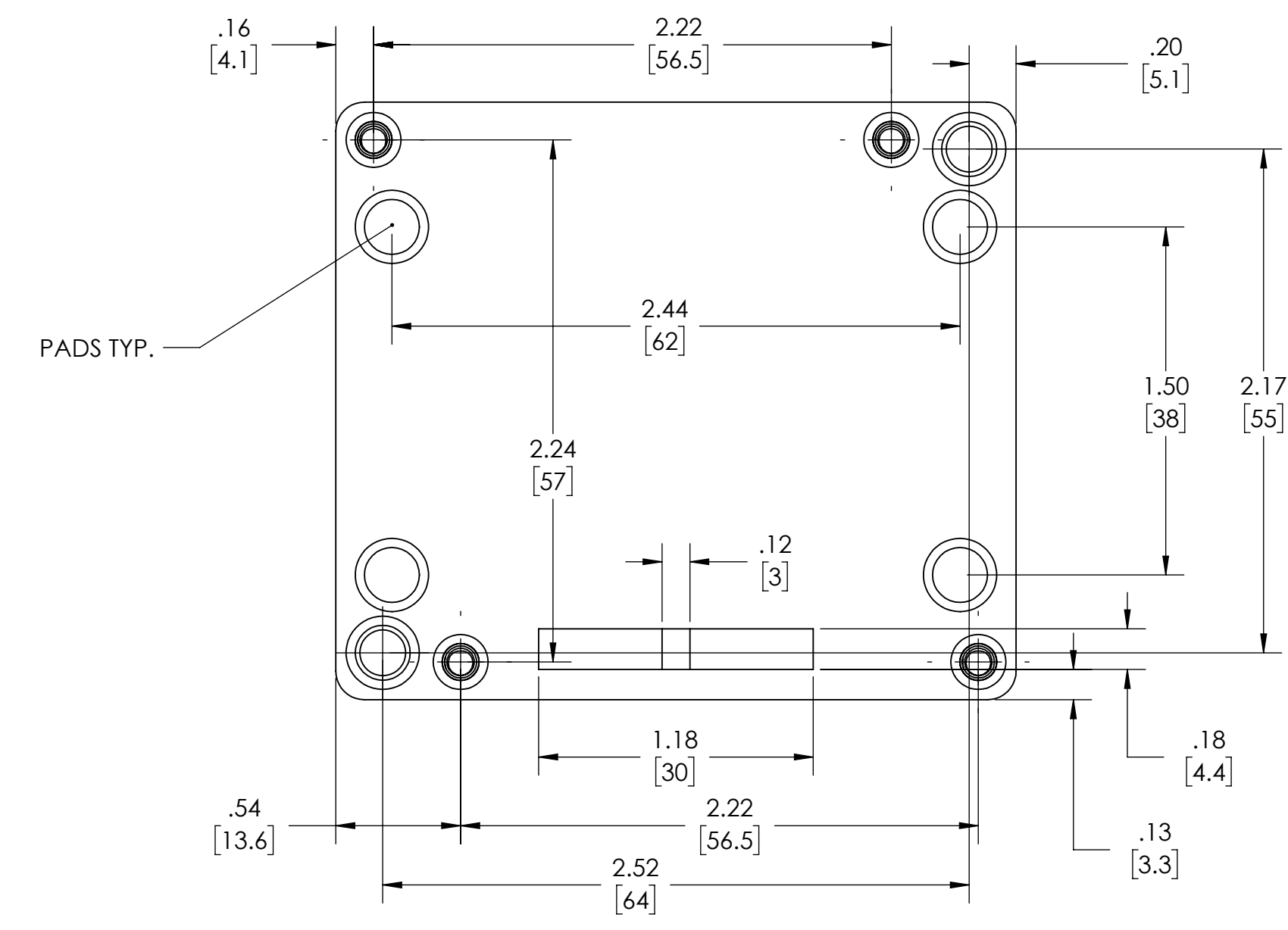
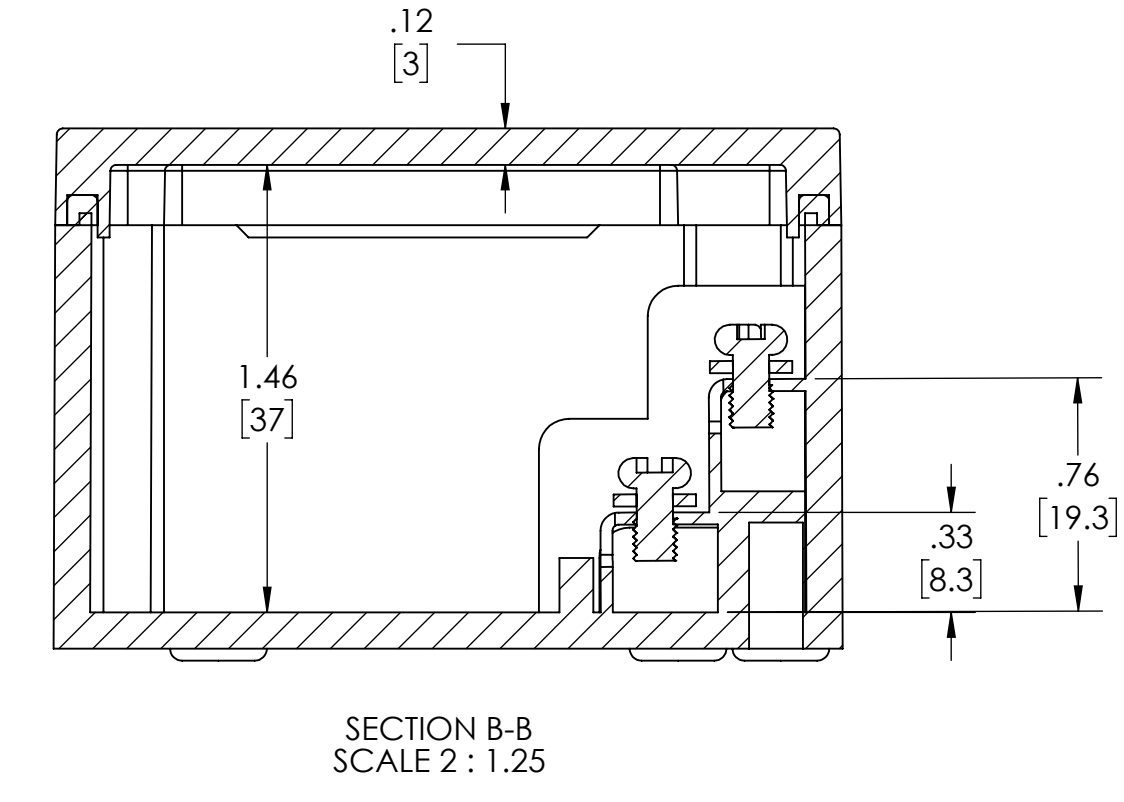
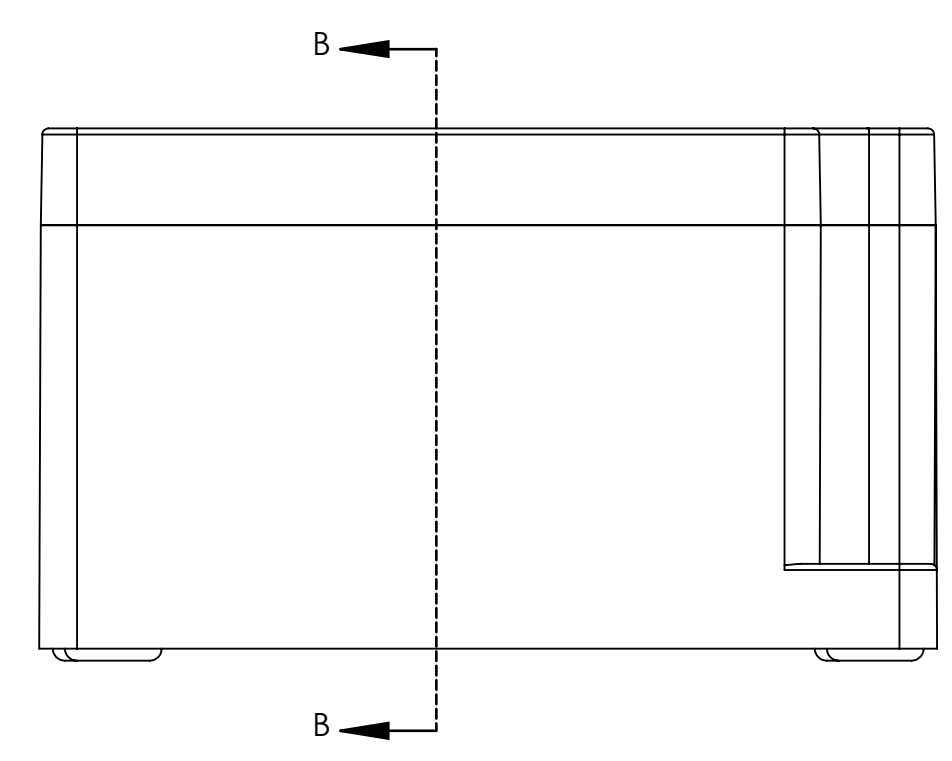
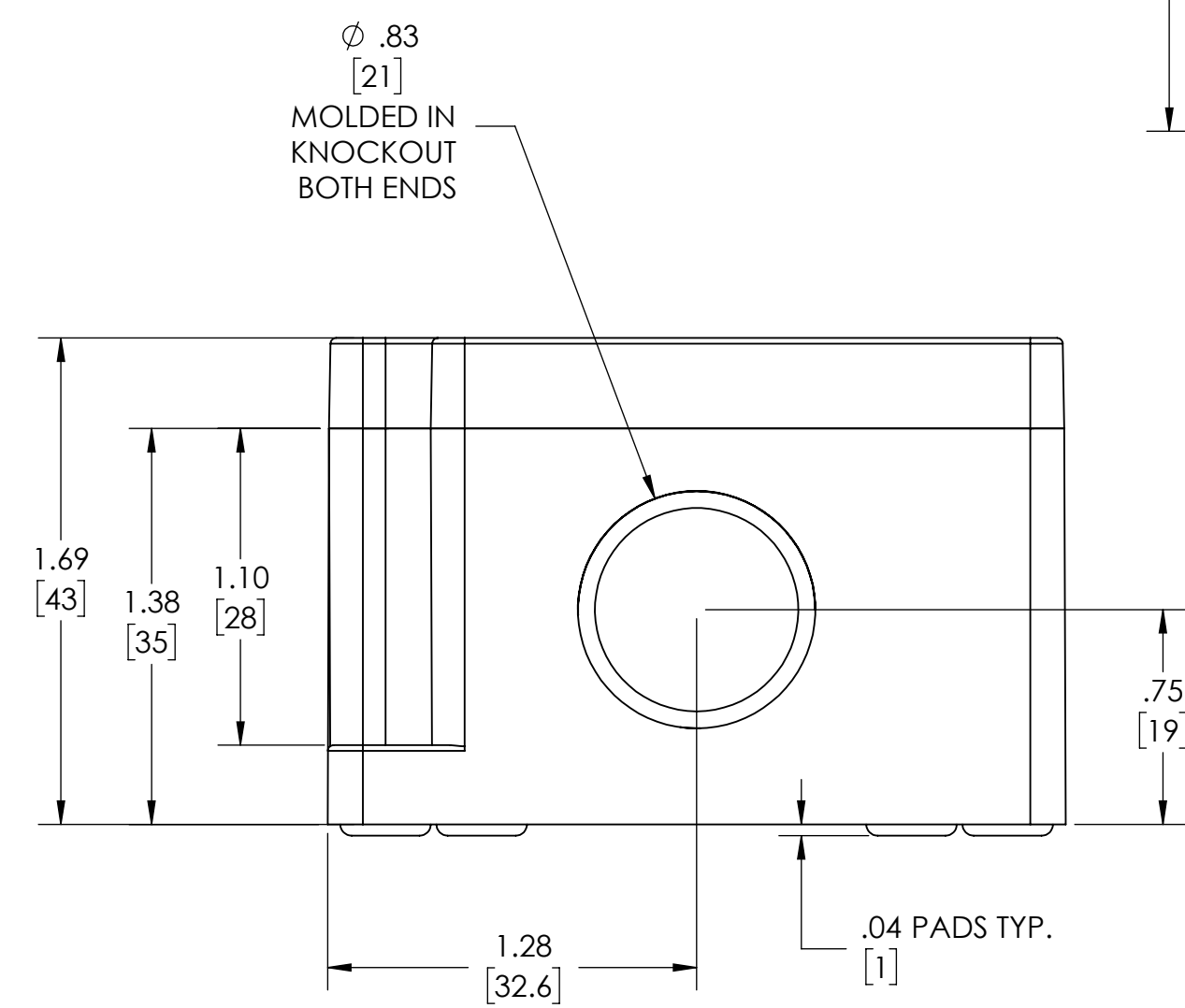
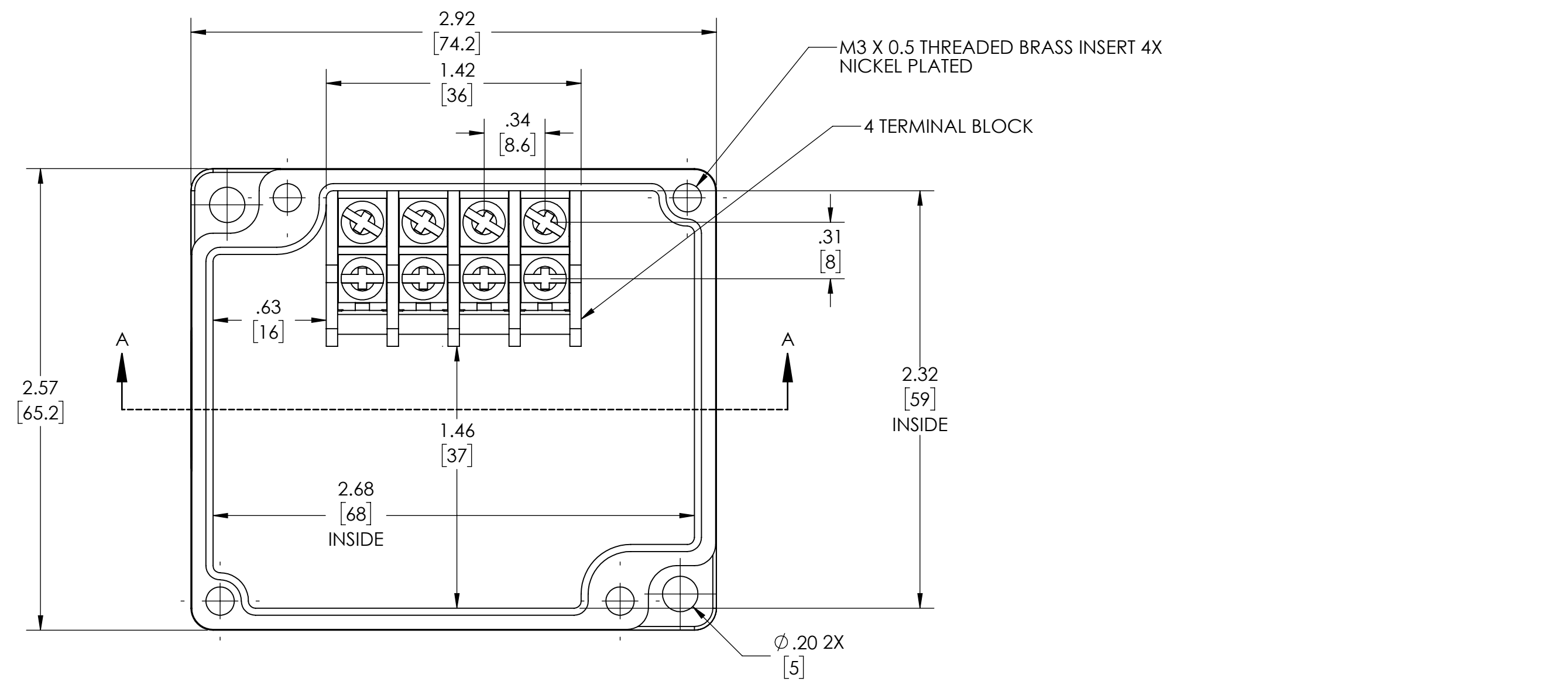
Tel: +86-755-8981 8866 Fax: +86-755-8427 6832

Email & Skype: info@chipsmall.com Web: www.chipsmall.com

Address: A1208, Overseas Decoration Building, #122 Zhenhua RD., Futian, Shenzhen, China



**DRAWING FOR REFERENCE**  
 WE RESERVE THE RIGHT TO MAKE CHANGES TO OUR  
 STANDARD PRODUCTS. PLEASE CONSULT WITH BUD INDUSTRIES  
 PRIOR TO USING THIS DRAWING FOR DESIGN PURPOSE.



- NOTES:
- 1- MATERIAL: BODY - GRAY ABS UL94 V-0  
COVER - GRAY ABS OR CLEAR (-C SUFFIX) POLYCARBONATE
  - 2- HIGH IMPACT RESISTANCE IK 07/08
  - 3- TUV RATING IP66/67
  - 4- CONTINUOUS Poured GASKET IN COVER
  - 5- COVER ATTACHES WITH STAINLESS STEEL M3 X 0.5 SCREWS SUPPLIED
  - 6- TEMPERATURE RANGE -40° ~ +70° F.
  - 7- TERMINAL FEATURES:  
SURFACE TREATED STEEL TERMINAL SCREWS  
RATED INSULATION VOLTAGE 400V  
RATED IMPULSE VOLTAGE 4KV  
RATED CURRENT CAPACITY .75mm<sup>2</sup> - 1.5mm<sup>2</sup>
  - 8- DIMENSIONS ARE INCH [MM]
  - 9- OPTIONAL EXTERNAL MOUNTING BRACKETS NOT INCLUDED,  
PART NUMBERS NBX-10922 & PIX-4117

