



Chipsmall Limited consists of a professional team with an average of over 10 year of expertise in the distribution of electronic components. Based in Hongkong, we have already established firm and mutual-benefit business relationships with customers from,Europe,America and south Asia,supplying obsolete and hard-to-find components to meet their specific needs.

With the principle of "Quality Parts,Customers Priority,Honest Operation,and Considerate Service",our business mainly focus on the distribution of electronic components. Line cards we deal with include Microchip,ALPS,ROHM,Xilinx,Pulse,ON,Everlight and Freescale. Main products comprise IC,Modules,Potentiometer,IC Socket,Relay,Connector.Our parts cover such applications as commercial,industrial, and automotives areas.

We are looking forward to setting up business relationship with you and hope to provide you with the best service and solution. Let us make a better world for our industry!



## Contact us

Tel: +86-755-8981 8866 Fax: +86-755-8427 6832

Email & Skype: info@chipsmall.com Web: www.chipsmall.com

Address: A1208, Overseas Decoration Building, #122 Zhenhua RD., Futian, Shenzhen, China





## Features

- 10 kA, 8/20  $\mu$ s surge capability
- Low clamping voltage under surge
- Bidirectional TVS
- Surface mount package
- Excellent overtemperature performance

## Applications

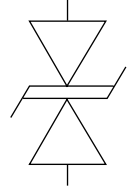
- High power DC bus protection

# PTVS10-xxxC-M Series High Current TVS Diodes

## General Information

Bourns® Model PTVS10-xxxC-M high current bidirectional TVS diodes are designed for use in high power DC bus clamping applications. These devices offer bidirectional port protection and are available with standoff voltage ratings of 66 V and 76 V.

The devices are RoHS\* compliant and are designed to meet IEC 61000-4-5 8/20  $\mu$ s current surge requirements.



## Absolute Maximum Ratings (@ $T_A = 25^\circ\text{C}$ Unless Otherwise Noted)

| Rating   |                                | Symbol    | Value       | Unit             |
|--|--------------------------------|-----------|-------------|------------------|
| Repetitive Standoff Voltage                        | PTVS10-066C-M<br>PTVS10-076C-M | $V_{WM}$  | 66<br>76    | V                |
| Peak Current Rating per 8/20 $\mu$ s IEC 61000-4-5 |                                | $I_{PPM}$ | 10          | kA               |
| Operating Junction Temperature Range               |                                | $T_J$     | -55 to +125 | $^\circ\text{C}$ |
| Storage Temperature Range                          |                                | $T_S$     | -55 to +150 | $^\circ\text{C}$ |

## Electrical Characteristics (@ $T_A = 25^\circ\text{C}$ Unless Otherwise Noted)

| Parameter                          | Test Conditions                                   |                                | Min.     | Typ.       | Max.       | Unit                |
|------------------------------------|---|--------------------------------|----------|------------|------------|---------------------|
| $I_D$ Standby Current              | $V_D = V_{WM}$                                    |                                |          |            | 10         | $\mu\text{A}$       |
| $V_{(BR)}$ Breakdown Voltage       | $I_{BR} = 10\text{ mA}$                           | PTVS10-066C-M<br>PTVS10-076C-M | 72<br>85 | 76<br>90   | 80<br>95   | V                   |
| $V_C$ Clamping Voltage             | $I_{PP} = 10\text{ kA}$                           | PTVS10-066C-M<br>PTVS10-076C-M |          |            | 120<br>135 | V                   |
| $V_{(BR)}$ Temperature Coefficient |   |                                |          | 0.1        |            | $\%/^\circ\text{C}$ |
| C Capacitance                      | $F = 10\text{ kHz}$ ,<br>$V_d = 1\text{ V}_{rms}$ | PTVS10-066C-M<br>PTVS10-076C-M |          | 6.7<br>5.5 |            | nF                  |

# BOURNS®

**Asia-Pacific:** Tel: +886-2 2562-4117 • Email: asiacus@bourns.com

**EMEA:** Tel: +36 88 520 390 • Email: eurocus@bourns.com

**The Americas:** Tel: +1-951 781-5500 • Email: americus@bourns.com

[www.bourns.com](http://www.bourns.com)

\*RoHS Directive 2002/95/EC Jan. 27, 2003 including annex and RoHS Recast 2011/65/EU June 8, 2011.

Specifications are subject to change without notice.

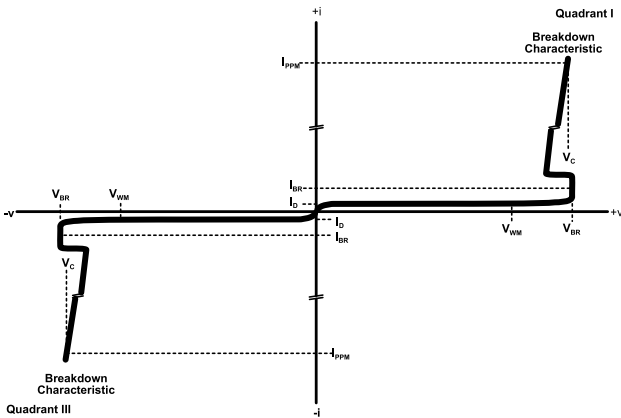
The device characteristics and parameters in this data sheet can and do vary in different applications and actual device performance may vary over time. Users should verify actual device performance in their specific applications.

# PTVS10-xxxC-M Series High Current TVS Diodes

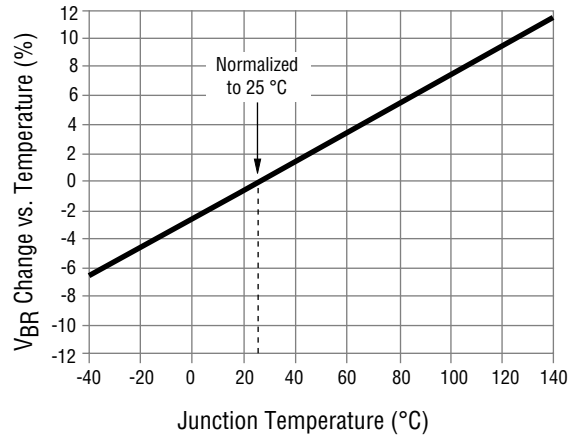
**BOURNS®**

## Performance Graphs

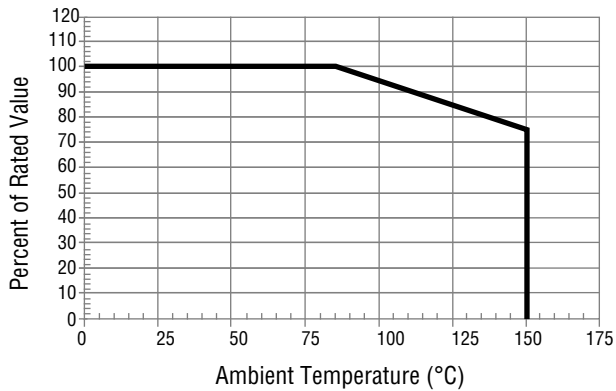
### V-I Characteristic



### Typical $V_{BR}$ vs. Junction Temperature

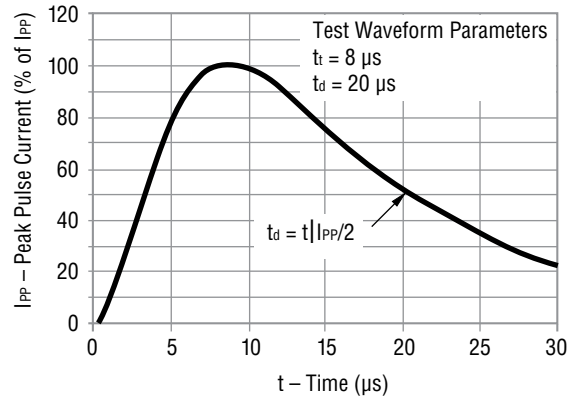


### Typical Surge Current Derating



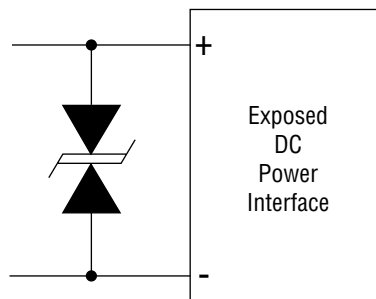
This graph shows the typical device surge current derating versus ambient temperature when subjected to the 8/20  $\mu$ s current waveform per the IEC 61000-4-5 specification. This device is not intended for continuous operation at temperatures above 125 °C.

### Current 8/20 $\mu$ s Waveform per IEC 61000-4-5



## Application

A typical application for Power TVS products includes DC power line protection.



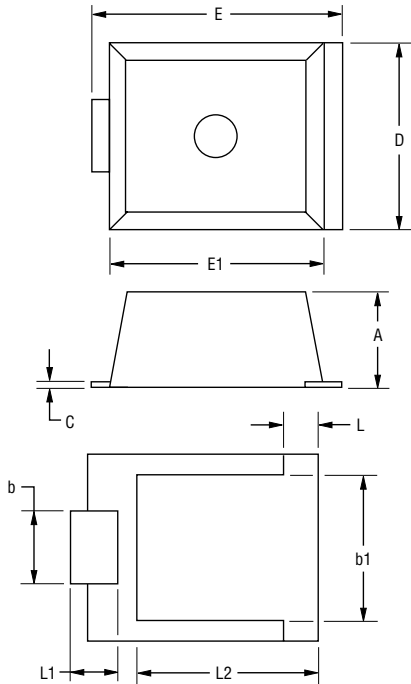
Specifications are subject to change without notice. The device characteristics and parameters in this data sheet can and do vary in different applications and actual device performance may vary over time. Users should verify actual device performance in their specific applications.

# PTVS10-xxxC-M Series High Current TVS Diodes



## Product Dimensions

This is an RoHS compliant\*, molded package with 100 % Sn on the terminations, and a flammability rating of UL 94-V-0.

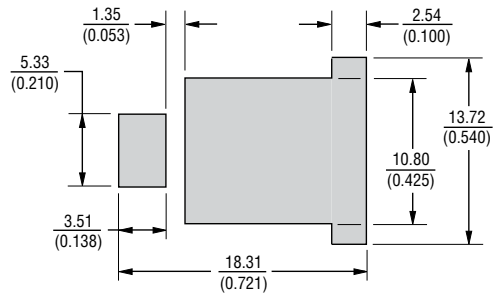


| Dim. | Min.             | Max.             |
|------|------------------|------------------|
| A    | 6.94<br>(0.273)  | 7.24<br>(0.285)  |
| b    | 5.15<br>(0.203)  | 5.65<br>(0.222)  |
| b1   | 10.55<br>(0.415) | 11.05<br>(0.435) |
| C    | 0.37<br>(0.015)  | 0.45<br>(0.018)  |
| D    | 13.45<br>(0.530) | 14.60<br>(0.575) |
| E    | 17.85<br>(0.703) | 18.72<br>(0.737) |
| E1   | 15.50<br>(0.610) | 16.05<br>(0.632) |
| L    | 2.30<br>(0.091)  | 2.80<br>(0.110)  |
| L1   | 3.35<br>(0.132)  | 3.75<br>(0.148)  |
| L2   | 13.16<br>(0.518) | 13.76<br>(0.518) |

Mold flash or protrusion shall not exceed 0.25 mm.

DIMENSIONS:  $\frac{\text{MM}}{\text{(INCHES)}}$

## Recommended Pad Layout



DIMENSIONS:  $\frac{\text{MM}}{\text{(INCHES)}}$

## Typical Part Marking

PTVS10-066C-M ..... 10066  
 PTVS10-076C-M ..... 10076

## How to Order

**PTVS 10 - xxx C-M**

Series \_\_\_\_\_  
 PTVS = Power TVS High Current Diode

Peak Current Rating \_\_\_\_\_  
 10 = 10 kA

Repetitive Standoff Voltage \_\_\_\_\_  
 066 = 66 V  
 076 = 76 V

Suffix \_\_\_\_\_  
 C = Bidirectional Device  
 M = Surface Mount

\*RoHS Directive 2002/95/EC Jan. 27, 2003 including annex and RoHS Recast 2011/65/EU June 8, 2011.

Specifications are subject to change without notice.

The device characteristics and parameters in this data sheet can and do vary in different applications and actual device performance may vary over time.

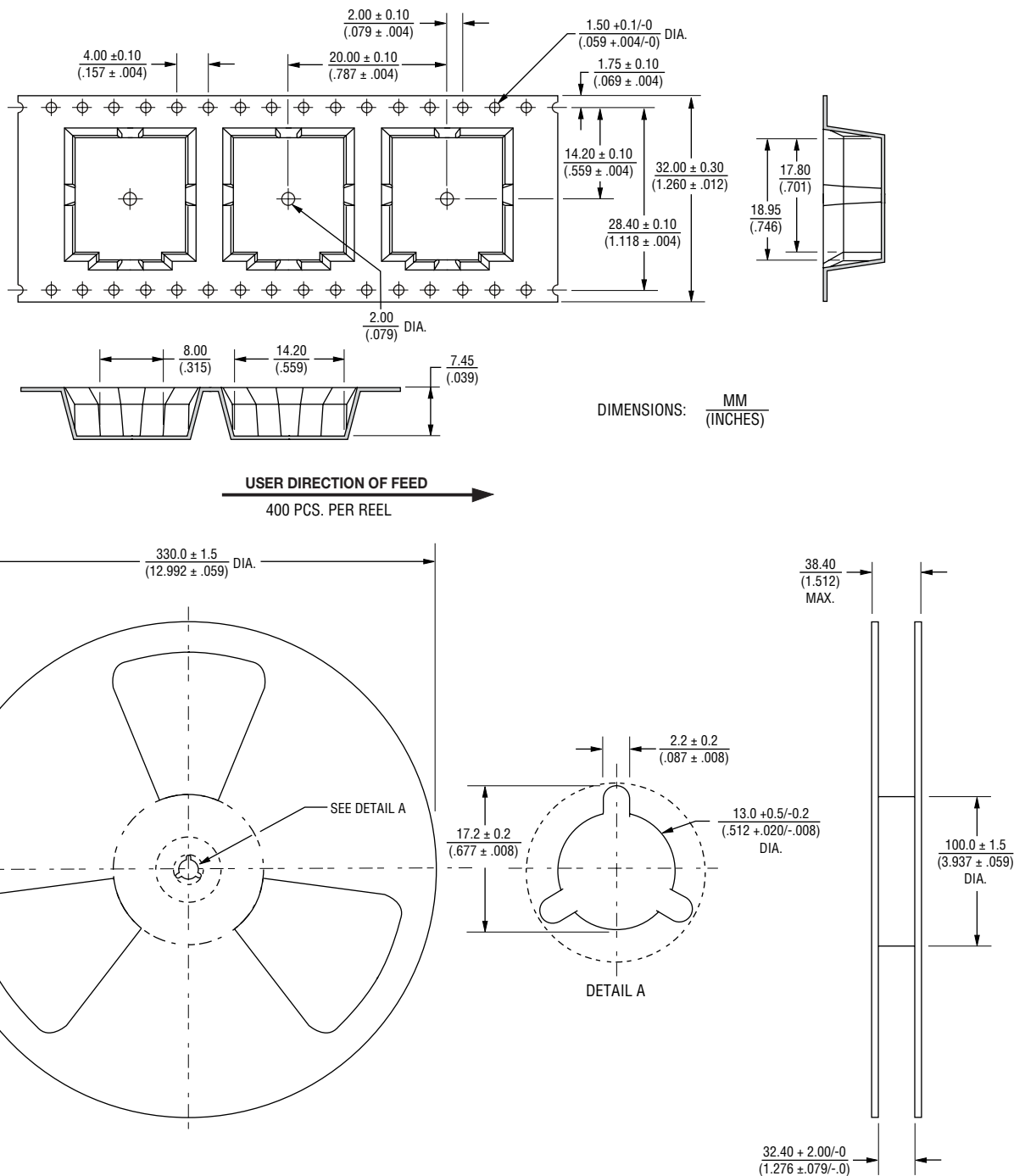
Users should verify actual device performance in their specific applications.

# PTVS10-xxxC-M Series High Current TVS Diodes

**BOURNS®**

## Packaging Information

The product will be dispensed in tape and reel format (see diagram below).



03/17

Specifications are subject to change without notice.  
The device characteristics and parameters in this data sheet can and do vary in different applications and actual device performance may vary over time.  
Users should verify actual device performance in their specific applications.