



Chipsmall Limited consists of a professional team with an average of over 10 year of expertise in the distribution of electronic components. Based in Hongkong, we have already established firm and mutual-benefit business relationships with customers from,Europe,America and south Asia,supplying obsolete and hard-to-find components to meet their specific needs.

With the principle of “Quality Parts,Customers Priority,Honest Operation,and Considerate Service”,our business mainly focus on the distribution of electronic components. Line cards we deal with include Microchip,ALPS,ROHM,Xilinx,Pulse,ON,Everlight and Freescale. Main products comprise IC,Modules,Potentiometer,IC Socket,Relay,Connector.Our parts cover such applications as commercial,industrial, and automotives areas.

We are looking forward to setting up business relationship with you and hope to provide you with the best service and solution. Let us make a better world for our industry!



Contact us

Tel: +86-755-8981 8866 Fax: +86-755-8427 6832

Email & Skype: info@chipsmall.com Web: www.chipsmall.com

Address: A1208, Overseas Decoration Building, #122 Zhenhua RD., Futian, Shenzhen, China

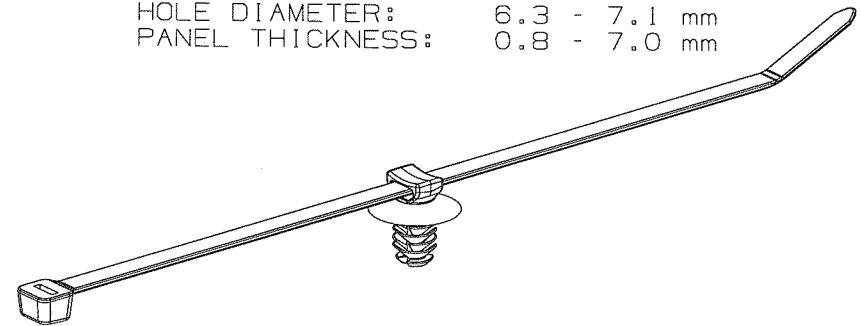
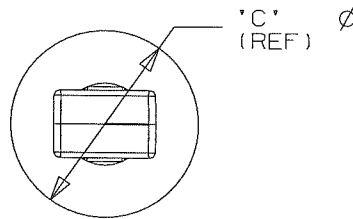
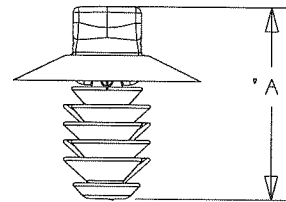
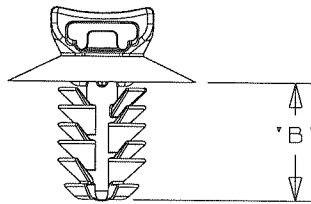


THIS COPY IS PROVIDED ON A RESTRICTED BASIS AND IS NOT TO BE USED IN ANY WAY DETRIMENTAL TO THE INTERESTS OF PANDUIT CORPORATION.

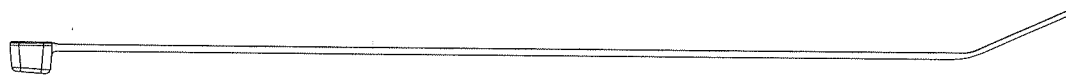
PANDUIT PART NUMBER	CABLE TIE		DIMENSIONS				MATERIAL	WEIGHT grams/100pcs
	MIN TENSILE	MAX BUNDLE	*A*	*B*	*C* (REF)	*D* (REF)		
PUM-071-2S-_30	50LBS (222N)	1.88" (48)	16.9	10.4	16.5	188.0	HEAT STABILIZED NYLON 6/6 BLACK	165

NOTES:

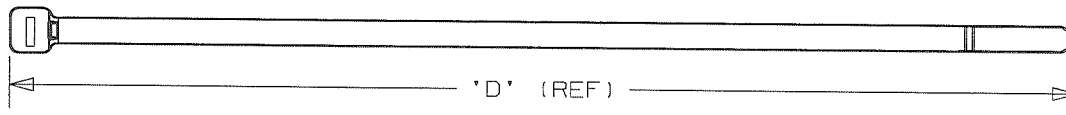
1. SEE CURRENT PRICE SHEET FOR PART NUMBER SUFFIX DESIGNATION FOR PACKAGE SIZE, AND COLOR.
2. (*) DIMENSIONAL VARIANCE IS POSSIBLE DUE TO MOLDING PROCESS RELATED SINK MARKS.
3. APPLICATION SPECIFICATION:
HOLE DIAMETER: 6.3 - 7.1 mm
PANEL THICKNESS: 0.8 - 7.0 mm



SCALE .75



SCALE .75



CAD FILENAME/LAYERS	G03151BB_DC_GB0239LL/10B
PANDUIT CORP. TINLEY PARK, ILLINOIS	
PUM-071-2S-_30 PUSH MOUNT / CABLE TIE ASSEMBLY	

UNLESS OTHERWISE SPECIFIED, ALL DIMENSIONS ARE METRIC TOLERANCE: ±0.5MM		DRAWN BY KLN	MAT'L: SEE TABLE	SCALE 1:1 UNLESS NOTED
DATE 7-10-06	CHK'D KLN	DRAWING NO. GB0239LL	DWG A	SIZE A

REV	DATE	BY	CHK	DESCRIPTION	ECN	R	CUST	SUP
10B	10-6-08	PSG	Ⓟ	DELETED, AND RENAMED DIMENSIONS	GB0239LL	10B	KLN	
10A	8-22-08	PSG		REMOVED RIB FROM HEAD, UPDATED FILE NAME, AND CHANGED REV TO TC REV STYLE	GB0239LL	10A		
1	8-11-06	TMSA		UPDATED DIMENSIONS C FROM 10.5 D FROM 17.0	GB0239LL	1		
R	7-10-06	KLN		INITIAL RELEASE	GB0239LL	R		